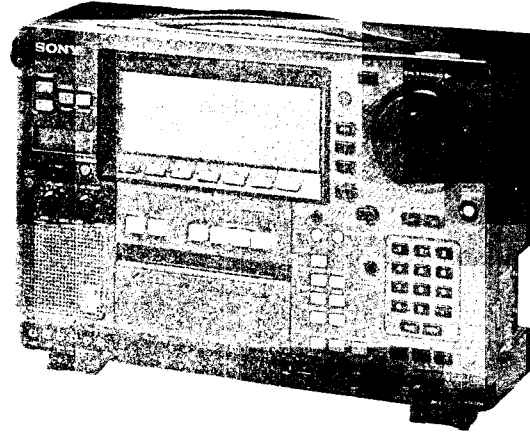


SERVICE MANUAL

US Model
AEP Model
UK Model
E Model



SPECIFICATIONS

Radio section

Circuit system LW/MW/SW: Dual conversion superheterodyne
FM: Single conversion superheterodyne

Frequency range LW/MW/SW: 9kHz-29.9999MHz
FM: 87.5MHz-108MHz (AEP model)
76MHz-108.09998MHz (US, 1-AEP, 2-AEP, UK, E model)
SAT: 137.62/141.12MHz (when the AN-P1200 is connected: 1.691GHz/1.6945GHz)

Detection mode AM WIDE, AM NARROW, SYNC-USB, SYNC-LSB, SSB-USB, SSB-LSB/CW, N.B. FM

Intermediate frequency LW/MW/SW: 55.845MHz (first), 455kHz (second)
FM/SAT: 10.7MHz

Sensitivity (measured at the external antenna connector)

9kHz-49.99kHz: 30dB μ V (30 μ V) (AM WIDE, S/N = 6dB)
50kHz-1.99999MHz: 20dB μ V (10 μ V) (AM WIDE, S/N = 6dB)
2MHz-29.99999MHz: 0dB μ V (1 μ V) (AM WIDE), -15dB μ V (0.17 μ V) (SSB, S/N = 6dB)
76MHz-108.09998MHz: 10dB μ V (3 μ V) (FM, S/N = 30dB)

Selectivity

Mode Band width	AM WIDE	AM NARROW	SSB	FAX/RTTY	N.B.FM
-6dB	\pm 3.0kHz	\pm 1.35kHz	\pm 1.35kHz	\pm 1.75kHz	\pm 7.0kHz
-50dB	\pm 7.0kHz	\pm 3.0kHz	\pm 3.0kHz	\pm 3.6kHz	\pm 12.5kHz

Antenna External antenna connector: BNC connector, impedance 50 ohms
Supplied antenna (AN-V21): Telescopic antenna, ferrite bar antenna

Image frequency interference ratio More than 70dB

IF interference ratio More than 80dB

FAX/RTTY/satellite FAX broadcast section

FAX Drum speed: 60, 90, 120, 240rpm
Index of Cooperation: H (576), L(288)

RTTY Transmission speed: BAUDOT 60, 66, 75, 100WPM
ASCII 110, 200, 300, 600bps

Satellite FAX Drum speed: 120, 240rpm
Index of Cooperation: H (576), L(288)

- Continued on next page -



VISUAL WORLD-
BAND RECEIVER
SONY®

RS-232C section (Except US model)

Data transfer rate	300, 600, 1200, 2400, 4800bps
Data length	Data: 8bit Stop bit: 1 or 2 bit
Parity check	Even, Odd, None

General



Speaker	70×45mm (2 ⁷ / ₈ ×1 ¹³ / ₁₆ in.) (8 ohm)
Maximum power output	1.7W (at 10% harmonic distortion with 8-ohm load)
Outputs	REC OUT jack (stereo minijack, 1) Output level: 245mV (-10dB) Output impedance 1 kilohm Earphone jack (stereo minijack, 1) Load impedance 8 ohms External speaker jack (minijack, 1) Load impedance 4-16 ohms Maximum power output: 0.6W (10% distortion with 8-ohm load) REMOTE jack Maximum permissible electric current: 500mA
Inputs	P.B. INPUT jack Input level: 245mV (-10dB) Input impedance 47kilohms
RS-232C connector	Mini DIN 8-pin connector
Power requirements	For operation: DC 6V supplied rechargeable battery NP-22H (AC operation is also available with the supplied AC power adaptor.) For computer/clock: DC 3V two R6 (size AA) batteries
Battery life	For operation: Approx. 5.5H when receiving FM broadcasts, and approx. 3H when printing FAX broadcasts (using the supplied rechargeable battery NP-22H) For computer/clock: Approx. 1 year using the Sony battery SUM-3 (NS)
Environmental temperatures	0°C-40°C
Dimensions	412×285×169mm (16 ¹ / ₄ ×11 ¹ / ₄ ×6 ³ / ₄ in.) (w/h/d)
Weight	Approx. 9.5kg (21 lb) incl. the rechargeable battery and printer paper
Accessories supplied	AC power adaptor (1) Rechargeable battery (1) Battery charger (1) Active antenna Telescopic antenna, antenna unit (1) Antenna holder (1) Antenna cable (1) Antenna cable reel (1) Plug, plug adaptor (1 set) Dust cover (1) Printer paper (3) Self-bonding tape (1) RS-232C connecting cable (1) (Except US model) Operating Instructions (1) Guide (1) Wave Handbook (1) Quick Reference (1)
Optional accessories	Printer paper UPP-21 3P Rechargeable battery NP-22H Weather satellite antenna (provided with the frequency converter) AN-P1200

Design and specifications subject to change without notice.

Note

This appliance conforms with EEC Directives 76/889 and 82/499 regarding interference suppression.

SAFETY-RELATED COMPONENT WARNING!!

COMPONENTS IDENTIFIED BY MARK  OR DOTTED LINE WITH MARK  ON THE SCHEMATIC DIAGRAMS AND IN THE PARTS LIST ARE CRITICAL TO SAFE OPERATION. REPLACE THESE COMPONENTS WITH SONY PARTS WHOSE PART NUMBERS APPEAR AS SHOWN IN THIS MANUAL OR IN SUPPLEMENTS PUBLISHED BY SONY.

ATTENTION AU COMPOSANT AYANT RAPPORT À LA SÉCURITÉ!


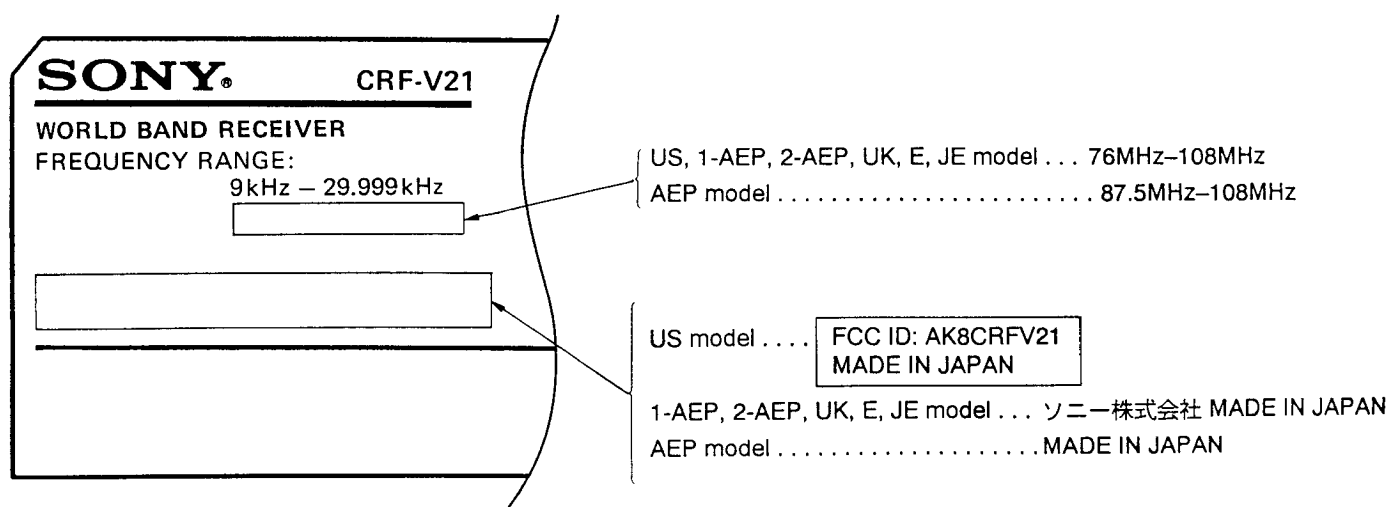
LES COMPOSANTS IDENTIFIÉS PAR UNE MARQUE  SUR LES DIAGRAMMES SCHÉMATIQUES ET LA LISTE DES PIÈCES SONT CRITIQUES POUR LA SÉCURITÉ DE FONCTIONNEMENT. NE REMPLACER CES COMPOSANTS QUE PAR DES PIÈCES SONY DONT LES NUMÉROS SONT DONNÉS DANS CE MANUEL OU DANS LES SUPPLÉMENTS PUBLIÉS PAR SONY.

TABLE OF CONTENTS

<u>Section</u>	<u>Title</u>	<u>Page</u>	<u>Section</u>	<u>Title</u>	<u>Page</u>
SPECIFICATIONS	1	4-10.	Schematic Diagram (Local OSC Section)...	34
MODEL IDENTIFICATION	3	4-11.	Schematic Diagram (SAT Decoder/IF Amp/ AF Amp/Power Supply Section)	37
SECTION 1. SERVICING NOTE	4	4-12.	Printed Wiring Boards (Micro Computer Section).....	42
SECTION 2. GENERAL	5	4-13.	Schematic Diagram (Micro Computer Power Supply Section)·	45
2-1.	Organization of This Receiver	5	4-14.	Schematic Diagram (Main Control Section)	47
2-2.	Overview of This Receiver	6	4-15.	Schematic Diagram (Printer/LCD Control Section).....	52
2-3.	On the Detection Modes.....	7	4-16.	Printed Wiring Boards (Timer/10 Key/Function Key Section)...	55
2-4.	On the Scanning Frequency Interval (Scan Step).....	8	4-17.	Schematic Diagram (Timer/10 Key/Function Key Section)....	57
2-5.	Pin Connection of Supplied RS-232C Cable ·	8	4-18.	Schematic Diagram (Printer Section).....	60
SECTION 3. DISASSEMBLY	9	4-19.	Printed Wiring Boards (Printer Section)....	63
SECTION 4. DIAGRAMS		4-20.	Printed Wiring Boards (AC Adaptor).....	65
4-1.	Circuit Boards Location	11	4-21.	Schematic Diagram (AC Adaptor).....	67
4-2.	Block Diagram	12	4-22.	IC Block Diagrams (Radio Section)	69
4-3.	Frame Schematic Diagram	15	SECTION 5. EXPLODED VIEWS	70
4-4.	Semiconductor Lead Layouts	17	SECTION 6. ELECTRICAL PARTS LIST	84
4-5.	Printed Wiring Boards (Active Antenna)....	19	SUPPLEMENT-1		
4-6.	Schematic Diagram (Active Antenna).....	21	(MICRO COMPUTER BOARD REMOVAL)		
4-7.	Printed Wiring Boards (Radio Section TYPE-1)	23	(ELECTRICAL ADJUSTMENT)		
4-8.	Printed Wiring Boards (Radio Section TYPE-2)	26			
4-9.	Schematic Diagram (RF AMP/Mixer Section)	31			

MODEL IDENTIFICATION

— Model Number Label —



SECTION 1 SERVICING NOTE

1-1. FLEXIBLE CIRCUIT BOARD REPAIRING

- Keep the temperature of the soldering iron around 270°C during repairing.
- Do not touch the soldering iron on the same conductor of the circuit board (within 3 times).
- Be careful not to apply force on the conductor when soldering or unsoldering.

1-2. NOTES ON CHIP COMPONENT REPLACEMENT

- Never reuse a disconnected chip component.
- Notice that the minus side of a tantalum capacitor may be damaged by heat.

1-3. TYPE-1, TYPE-2

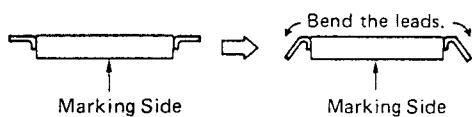
Printed wiring boards and schematic diagram have been partly changed from serial number 10,075 later. Changed portions are classified into TYPE-1 and TYPE-2 according to serial number.

Type	Serial No.	Part No. Suffix on each board
TYPE-1	Up to 10,074	1-628-□□□-11
TYPE-2	10,075 and later	1-628-□□□-12

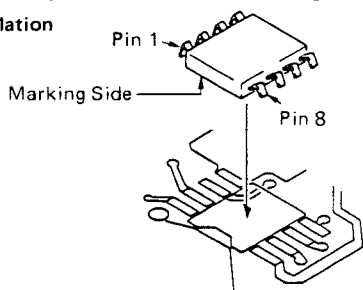
1-4. NOTE on REPLACING IC605 (TYPE-1 set only)

When replacing IC605 on VR board in TYPE-1 set, bend the leads of IC605 and install marking side down as illustrated below.

● Processing of IC605

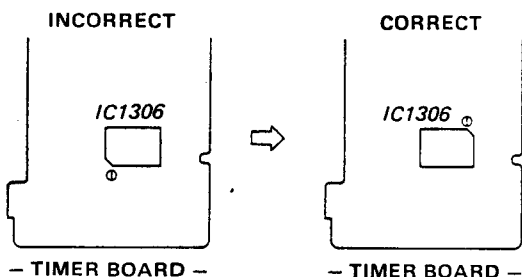


● IC605 installation



1-5. NOTE on REPLACING IC 1306

Symbol mark of IC1306 on timer board is incorrect in TYPE-1 set. When replacing IC1306, install it as shown in correct illustration.



1-6. DESTINATION CODE

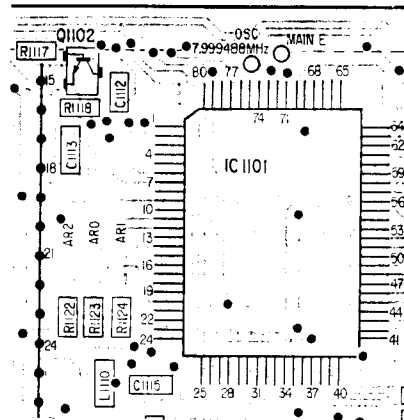
Pin 18 – 21 of main cpu (IC1101) are destination code input pins.

Destination can be set by changing the connection of R1122, R1123, and R1124.

– 1-AEP, 2-AEP, UK, E, JE model –

(FM Frequency range: 76MHz – 108.09998MHz)

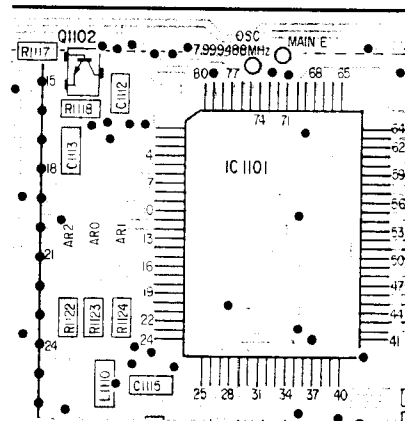
– MICRO COMPUTER BOARD –



– US model –

(FM Frequency range: 76MHz – 108.09998MHz)

– MICRO COMPUTER BOARD –

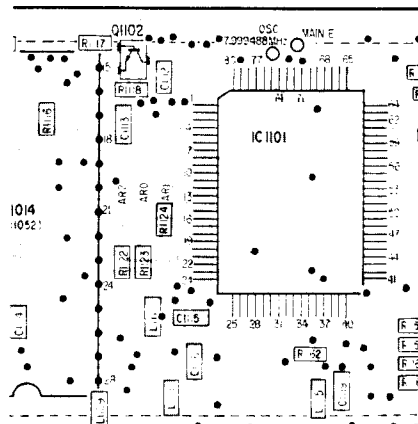


- R1122, R1123, and R1124 location on printed wiring board.

– AEP model –

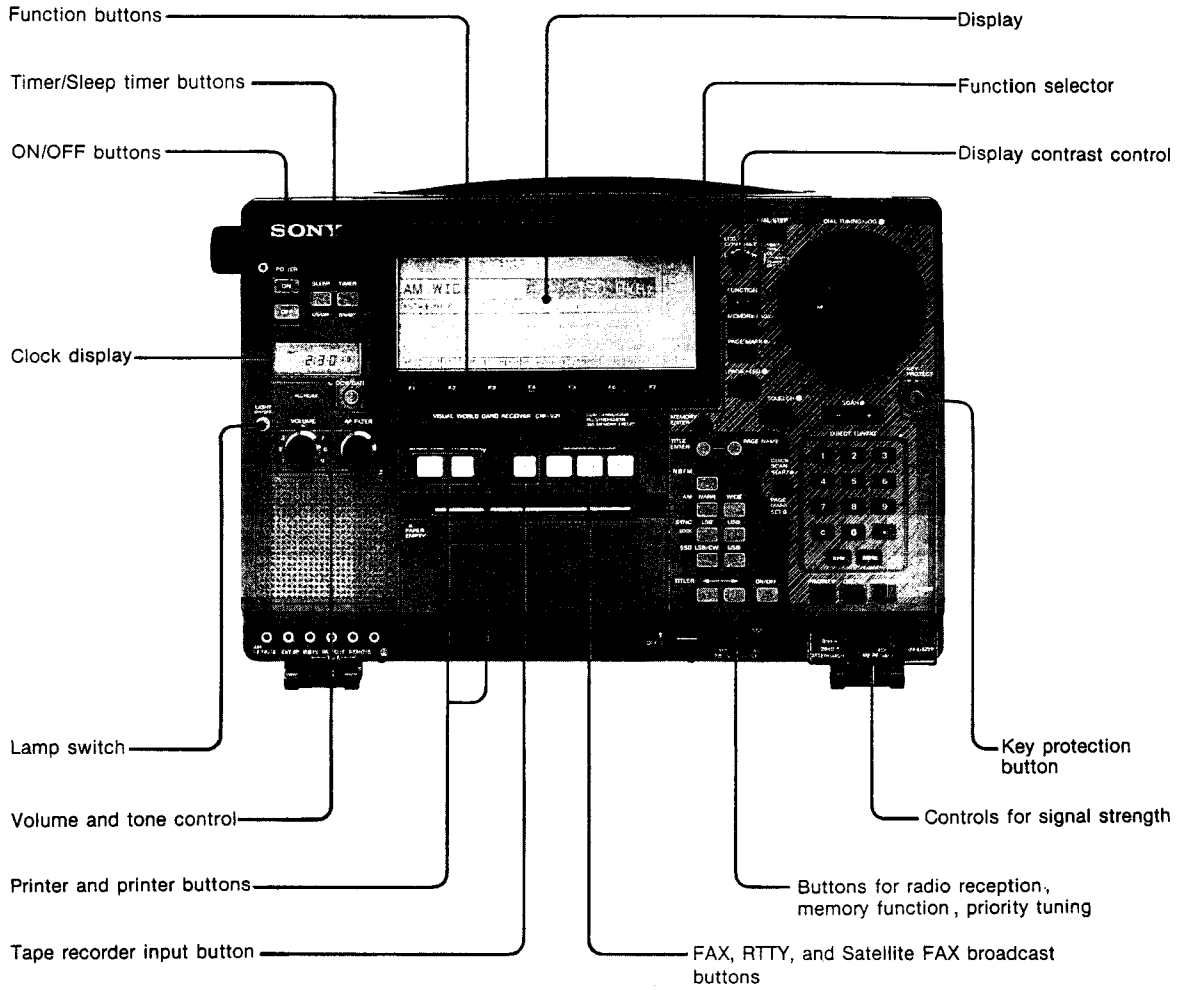
(FM Frequency range: 87.5MHz – 108MHz)

– MICRO COMPUTER BOARD –

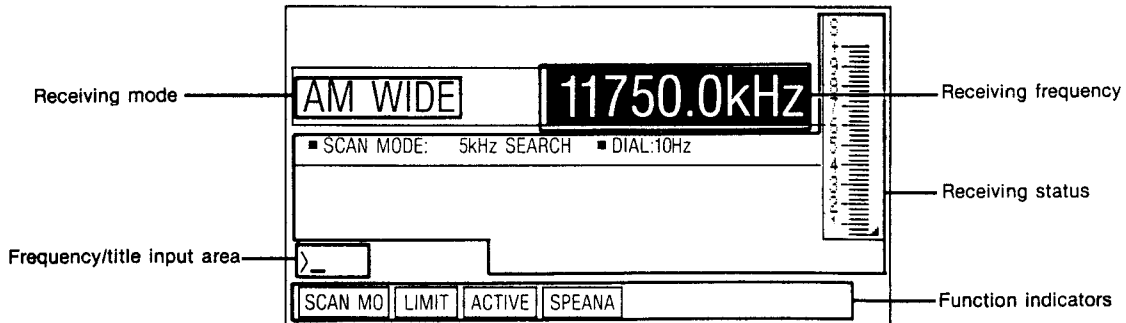


SECTION 2 GENERAL

2-1. Organization of This Receiver



Display



2-2. Overview of This Receiver

This receiver covers the world-wide frequency range, and is equipped with various convenient functions.

Wide frequency coverage and various receiving mode
 This receiver covers LW to SW and FM band frequencies, and various receiving modes such as SSB or NARROW FM. You can receive, therefore, not only general radio broadcasts (both domestic and international), but also ham radio or business radio.

Graphic information broadcasts (FAX or RTTY broadcast) receivable
 You can receive and print graphic information such as

weather charts broadcast by the meteorological agency. If you connect the optional weather satellite antenna AN-P1200, you can also receive pictures sent from the weather satellites.

Convenient functions
 Versatile functions help you to receive and print the broadcasts satisfactorily and easily.

Usable outdoors
 You can use the receiver outdoors as it can be battery-operated as well.

What You Can Do with This Receiver

You can receive general radio, ham radio, or business radio broadcasts, as listed below.

General radio broadcasts

Type of broadcasting		Content
AM	LW	Domestic broadcasts (In the U.S.S.R. and Europe)
	MW	Domestic broadcasts of your country
	SW	Domestic and international broadcasts of each country
FM		Domestic broadcasts of your country

Ham or business radio

Type of broadcasting	Content
SSB(USB, LSB), NARROW FM	Ham radio or business radio broadcasts such as for fishing, aviation, etc.
CW	The Morse codes

You can receive and print the following graphic information broadcasts.

FAX broadcast : weather charts or weather pictures

RTTY broadcast : Data in letters or figures

Satellite FAX broadcast (The optional weather satellite antenna AN-P1200 is required): weather pictures sent from the satellites

Broadcasts from the weather satellite GOES, METEOSAT, GMS are receivable with this receiver. As for which satellite you can receive in your location, see "GUIDE".

You can use the following functions according to your needs.

Storing the stations into memory(Memory function)

This function helps you to receive the stations easily. Up to 350 stations can be stored.

Searching for the stations on air automatically (Scan tuning)

This function is convenient when you are not sure of the frequency of the desired station, or when you want to search for the stations on air.

Making a graph of signal strength(Spectrum analyzer function)

You can make a graph of signal strength within the preset frequency range on the display. This function enables you to search for the stations with sufficient signal strength visually.

Receiving or printing automatically (Timer function)

You can receive or print broadcasts even when you are not available.

function prevents the memory data from being erased accidentally, and enables you to store more stations than the memory capacity (350 stations).

Turning off the receiver automatically (Sleep timer)

You can turn off the receiver automatically after 60 minutes.

Receiving the designated priority station (Priority tuning)

When broadcasting starts on the station you have designated, that station will be tuned in automatically even though you are receiving another. Use this function when you are not sure when the station starts broadcasting, or to avoid missing it.

Recording the broadcasts or the memory data on a tape

• Recording the broadcasts

You can record not only the sound of radio broadcasts, but also the graphic information of FAX/RTTY/satellite FAX broadcasts. You can print the recorded data of a FAX/RTTY/satellite FAX broadcast later. Use this function when you want to print the same data more than once, or when you want to print it at different printing conditions.

• Recording the memory data (Memory data saving/loading)

You can recall the recorded memory data later. This

Recording the period when the broadcast is received (Activity search)
 This function gives you a rough idea of the broadcasting time.

Controlling the receiver from an external computer through an RS-232C interface (Except US model)

This function enables you to control the receiver from an external computer. It also enables you to transfer the received data to an external computer so that you can control the data with the computer.

2-3. On the Detection Modes

There are two kinds of modulation in radio broadcasts, FM and AM. They are divided into several broadcasting types as follows. You need to select the detection mode of this receiver according to each type.

Content		Broadcasting type		Display
AM	AM broadcasts including international broadcasts using the SW band	DSB (Double side band)		AM WIDE AM NARROW
	Ham or business radio	SSB (Single side band)	USB (Upper side band) LSB (Lower wide band)	SSB USB SSB LSB
FM	FM broadcasts including audio signals of TV broadcasts	WIDE FM		WIDE FM
	Ham or business radio	NARROW FM		N.B.FM

Further, there are the following detection modes to improve reception of the DSB type of AM broadcasts. In these modes, the receiver makes the receiving band width narrower to reduce signal interference.

AM DSB	Detection mode		Display
	WIDE	_____	
Synchronous detection		SYNC USB	AM WIDE SYNC USB
	SYNC LSB	AM WIDE SYNC LSB	
NARROW	_____		AM NARROW
	Synchronous detection	SYNC USB	AM NARROW SYNC USB
SYNC LSB		AM NARROW SYNC LSB	

On detection mode and frequency

This receiver stores the detection mode designated last* for each frequency group listed below. For example, once you change the mode to NARROW FM when you are receiving 29MHz, NARROW FM is automatically selected next in the frequency group of 26.1MHz to 29.99999MHz.

Frequency group	Initial setting of the detection mode
9kHz - under 150kHz	AM WIDE
150kHz - 285kHz	
285kHz - 530kHz	
530kHz - 1620kHz	
1620kHz - 26.1MHz	
26.1MHz - 29.99999MHz	
76MHz - 108.1MHz (US, 1-AEP, UK, E model) 87.5MHz - 108MHz (AEP model)	WIDE FM (fixed)

If you select the FAX or RTTY mode

The FAX or RTTY mode is automatically selected next in the corresponding frequency group. For example, once you receive 3000kHz in the FAX mode, the FAX mode is automatically selected next in the frequency group of 1620kHz to 26.1MHz.

*If the receiver scans the stored stations (memory scan tuning), the detection mode for each frequency group will be changed to those stored, even if no station is received then.

2-4. On the Scanning Frequency Interval (Scan Step)

Function

The receiver scans at the preset frequency interval. The scan step is initially set as in the table below.

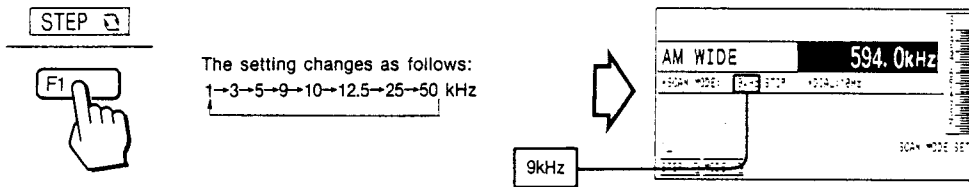
Band	Frequency	Initial scan step setting
LW	9 kHz or more—less than 150 kHz	3 kHz
	150 kHz—285 kHz	3 kHz
	285 kHz—530 kHz	3 kHz
MW	530 kHz—1620 kHz	9 kHz
	1620 kHz—26.1 MHz	5 kHz
SW	26.1 MHz—29.99999 MHz	5 kHz
FM	76 MHz—108.1 MHz (for countries other than in Europe)	50 kHz
	87.5 MHz—108 MHz (for the European countries)	

If the frequency of the received station is 9500 kHz, for example, the receiver scans from 9500kHz→9505kHz→9510 kHz, as the scan step is 5kHz in this frequency range.

Operation

To change the scan step setting

Display the scan setting screen, and press **[F1]**.



The receiver stores the last scan step used. For example, when you change the scan step to 1kHz when the displayed frequency is 500kHz, the receiver will scan at 1kHz intervals in the range between 285kHz and 530kHz from the next time on.

2-5. Pin Connection of Supplied RS-232C Cable (Except US model)

Pin Assignment of the connectors

CRF-V21 RS-232C connector	Connecting cable connector
DIN 8-pin mini type (female)	25-pin D-sub type connector (male)
Interface cable to be connected to the I/O connector must be shielded as shown.	

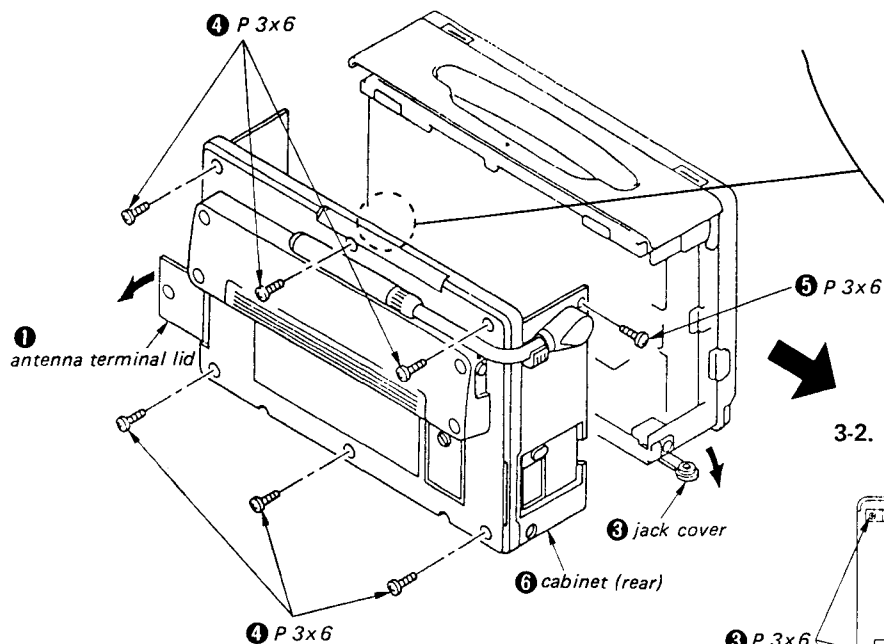
Pin No.		Signal ID	Function	Signal direction CRF-V21↔computer
DIN 8-pin	25-pin D-sub			
1	7	SG	Signal ground	↔
2	2	SD	Transmit data	←
3	3	RD	Receive data	→
4	4	RS	Request to send	←
5	5	CS	Clear to send	→
6	6	DR	Data set ready	→
7	20	ER	Data terminal ready	←
E	1	FG	Frame ground	↔

Each signal conforms to the RS-232C specifications (output level ON: +5V, OFF: -5V)

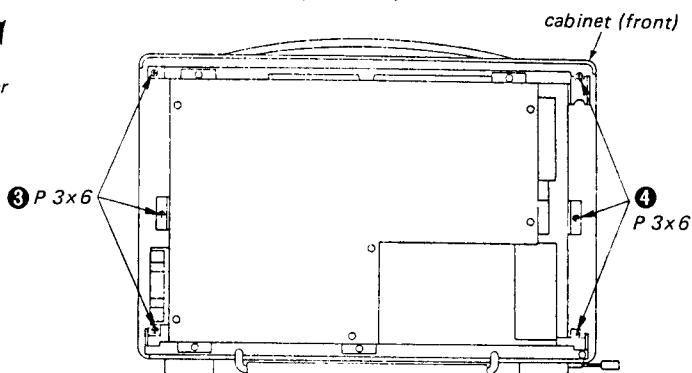
SECTION 3 DISASSEMBLY

Note: Follow the disassembly procedure in the numerical order given.

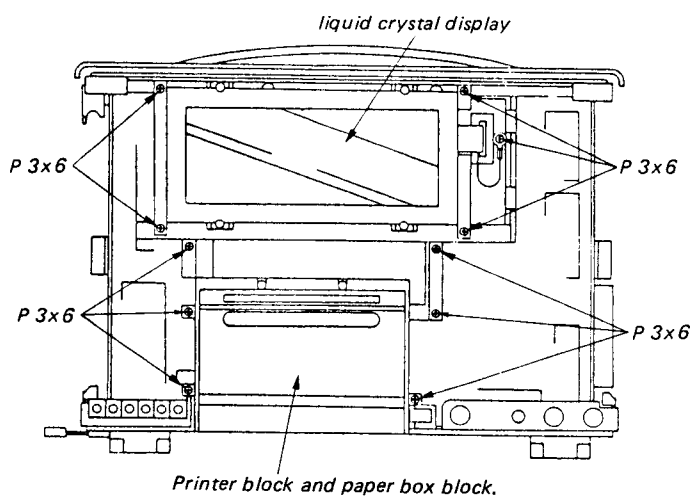
3-1. CABINET (REAR)



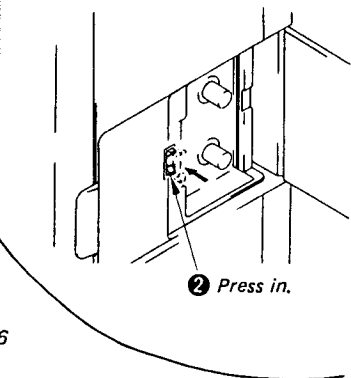
3-2. CABINET (FRONT)



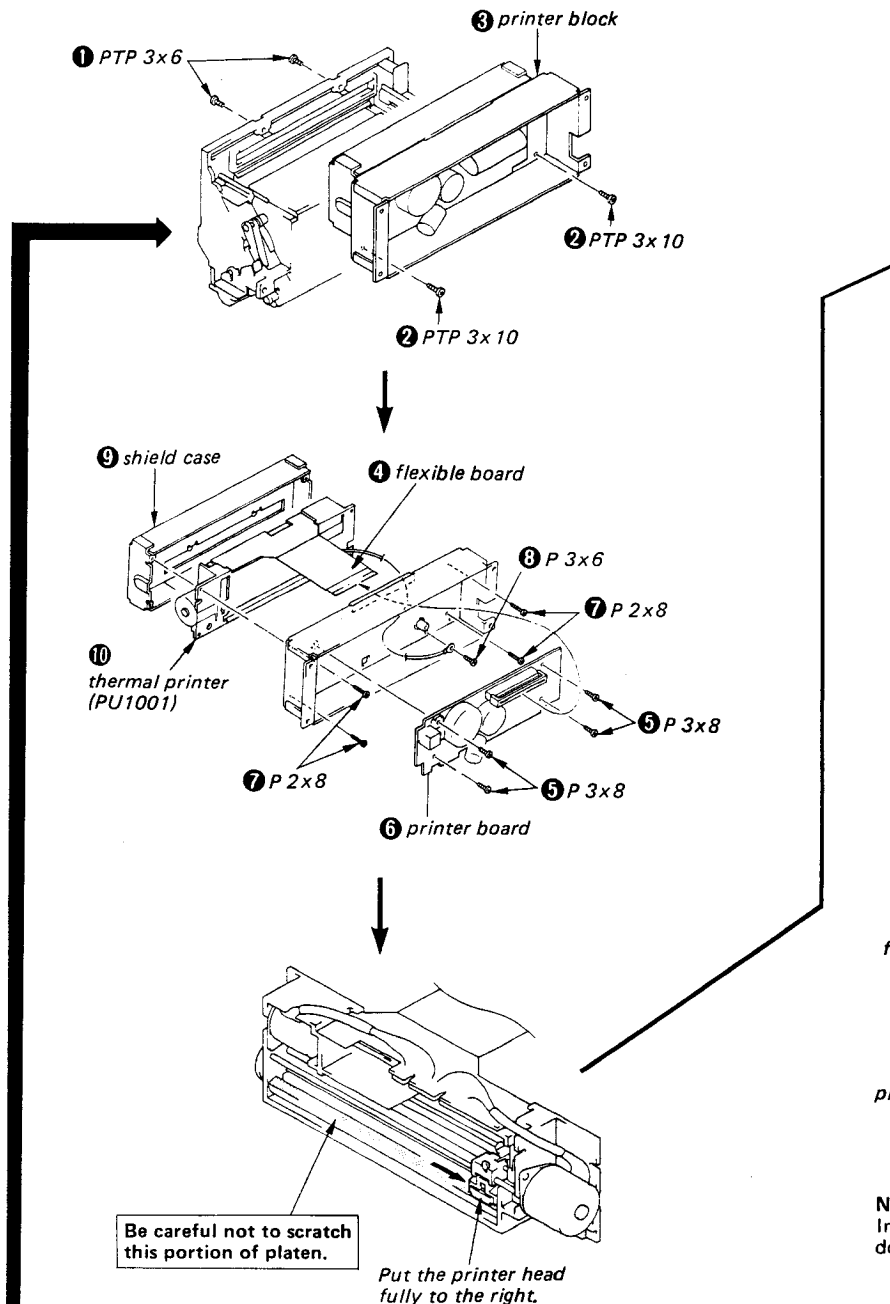
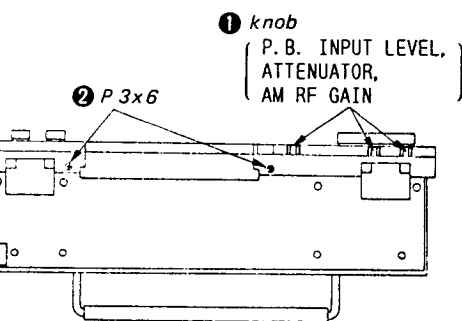
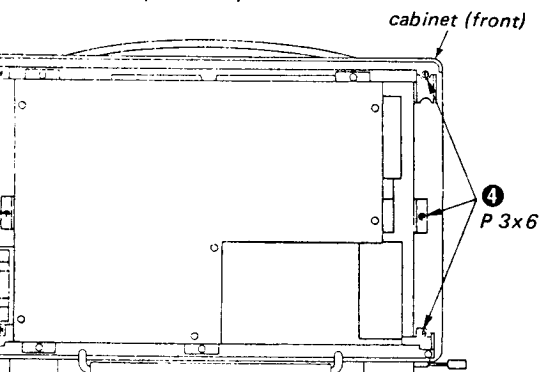
3-3. LIQUID CRYSTAL DISPLAY/PRINTER BLOCK/ PAPER BOX BLOCK



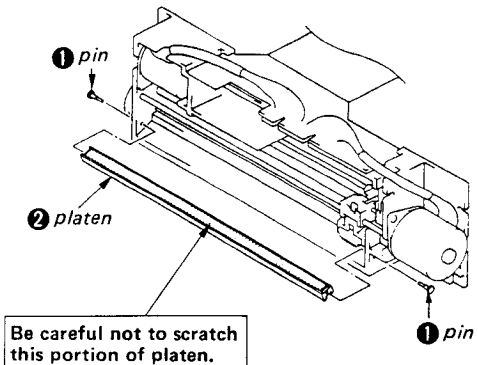
3-4. THERMAL PRINTER



CABINET (FRONT)



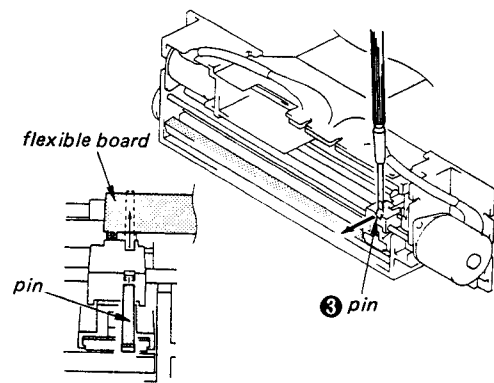
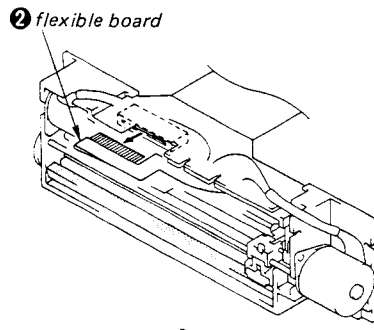
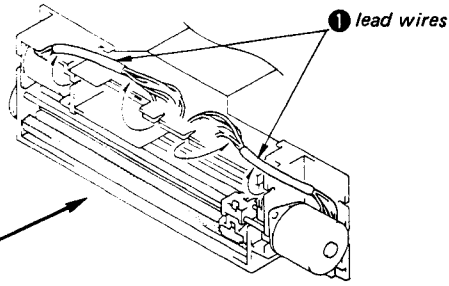
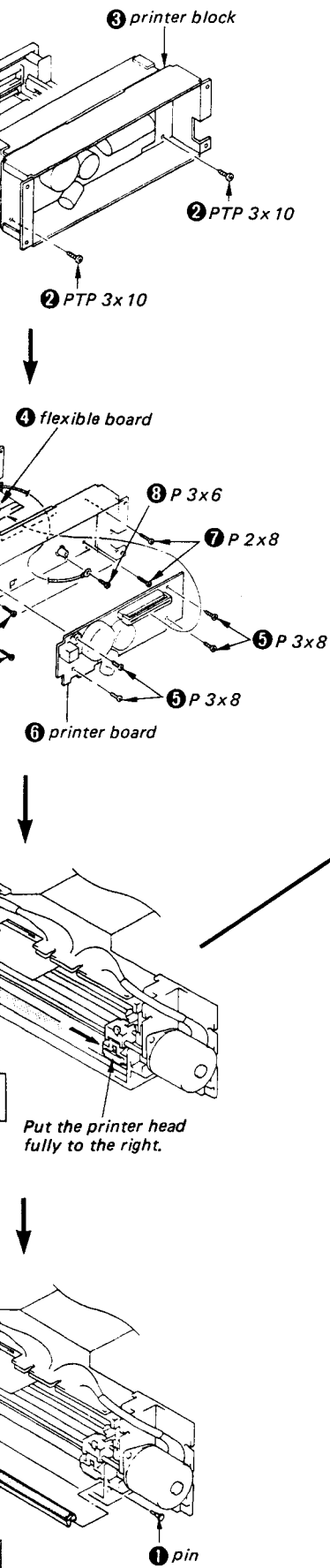
3-5. PLATEN



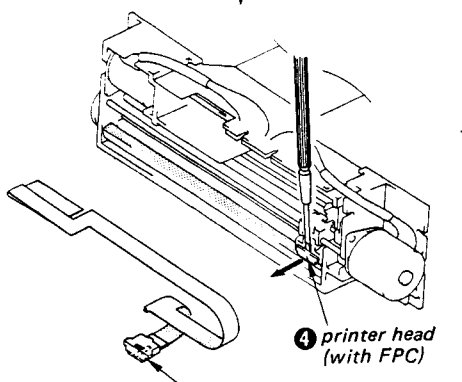
R

3-6. PRINTER HEAD

4-1. CIRCUIT BOARDS LOCA ● Each board is given on p



Note on installation:
Install the pin to press down flexible board.



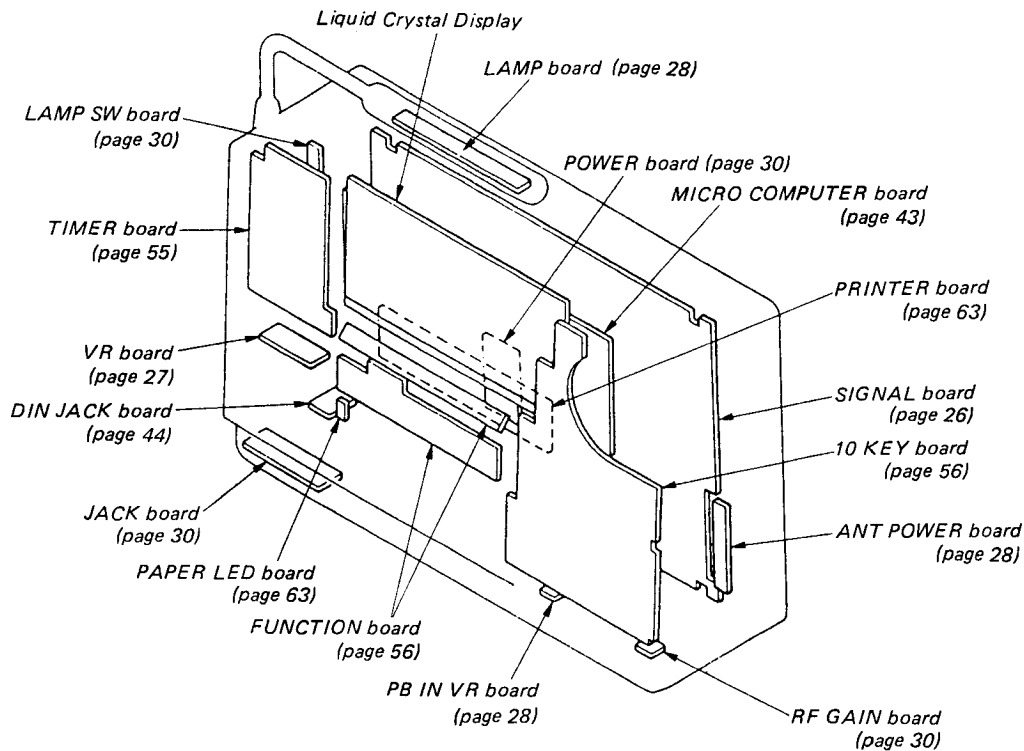
Be careful not to scratch the head surface.

- LAMP SW board (page 30)
- TIMER board (page 55)
- VR board (page 27)
- DIN JACK board (page 44)
- JACK board (page 30)
- PAPER L

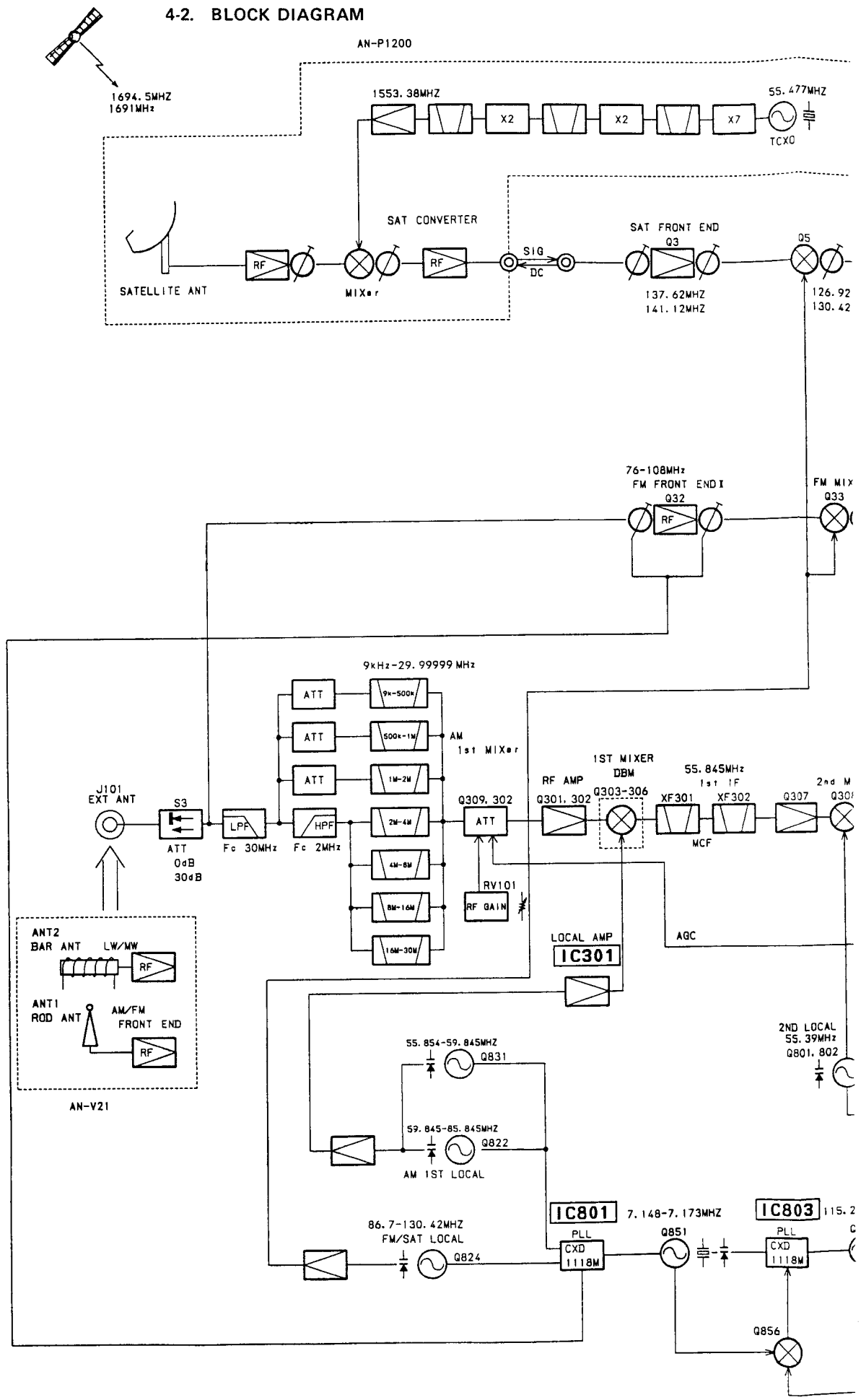
SECTION 4 DIAGRAMS

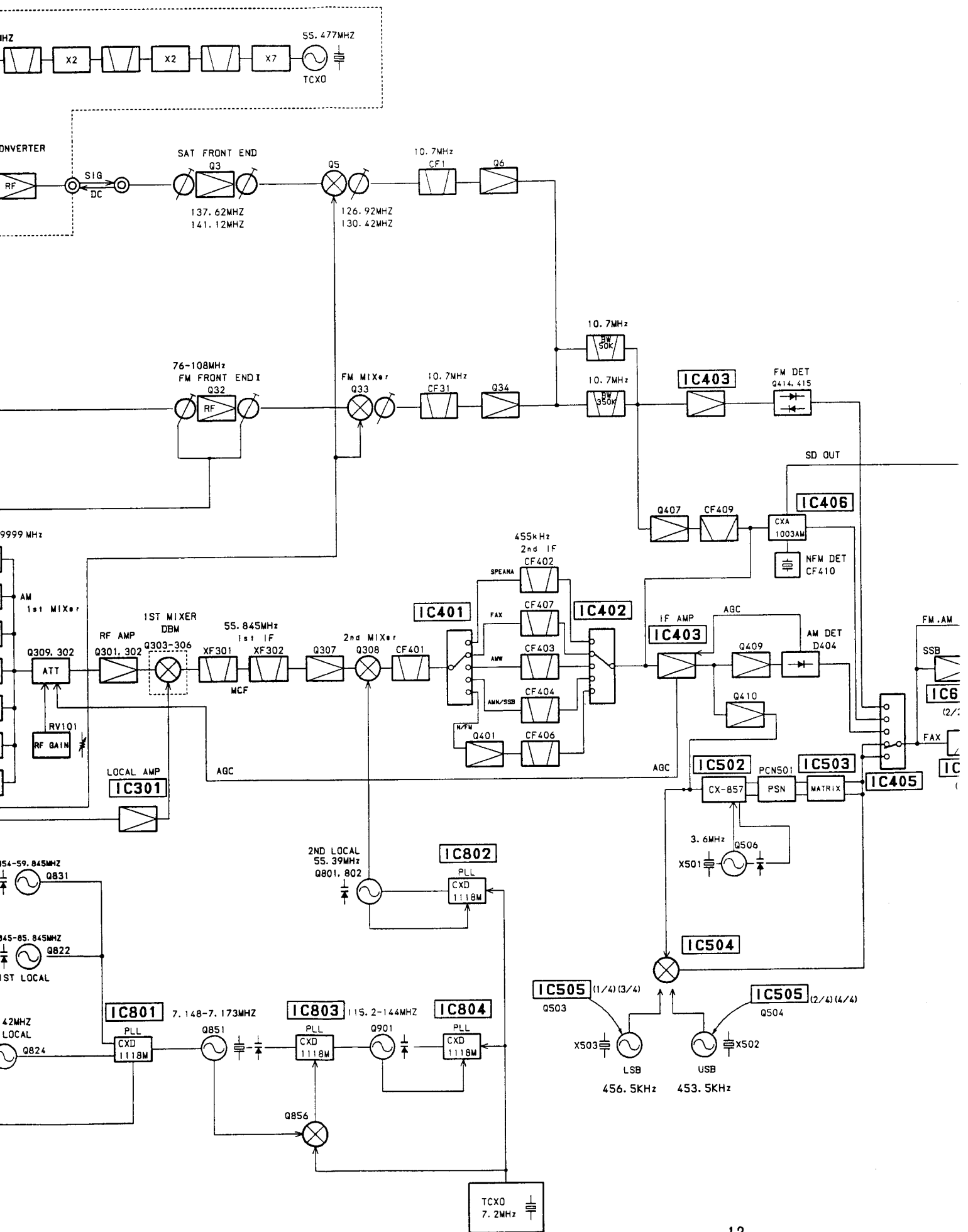
4-1. CIRCUIT BOARDS LOCATION

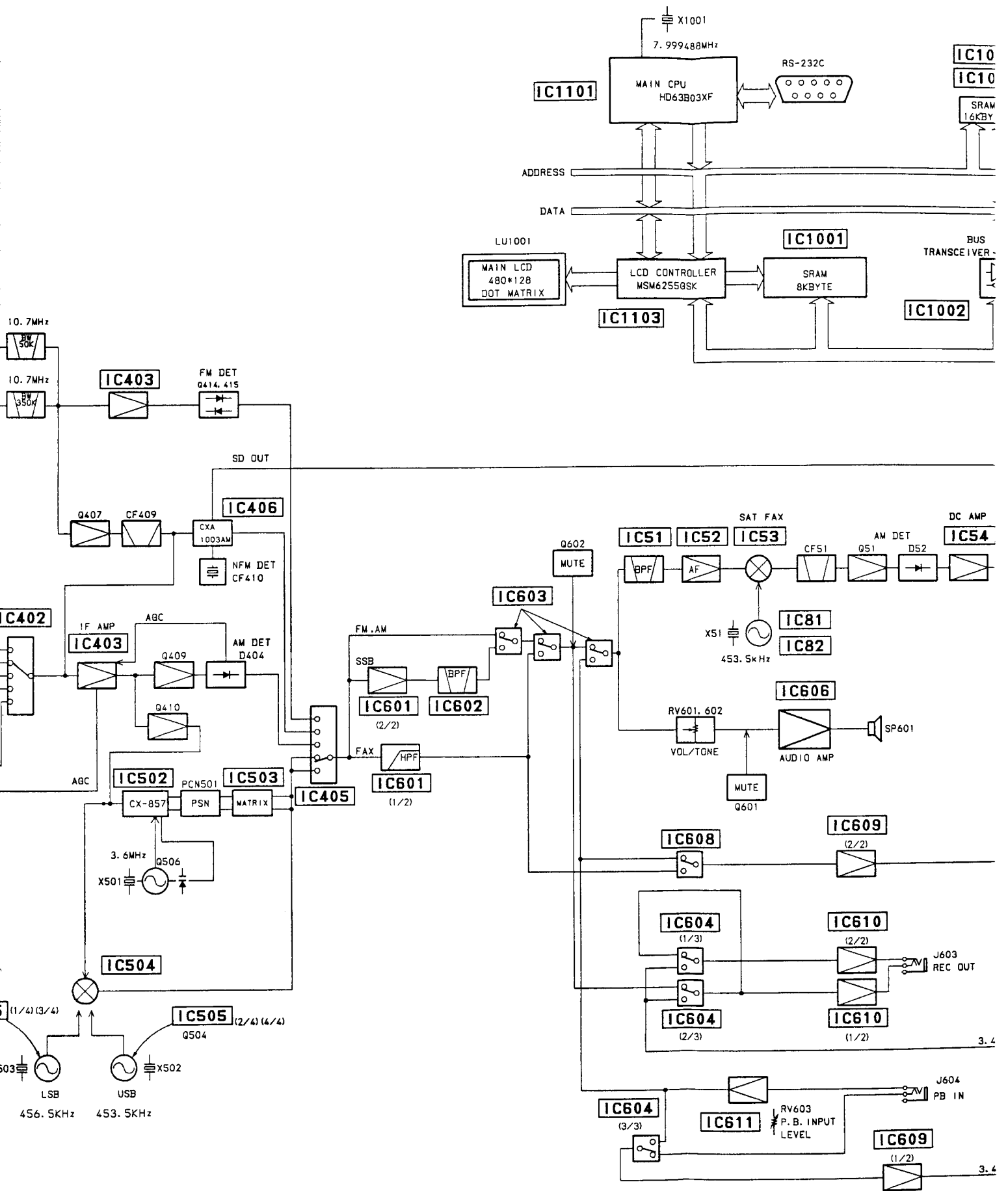
- Each board is given on page shown in ().



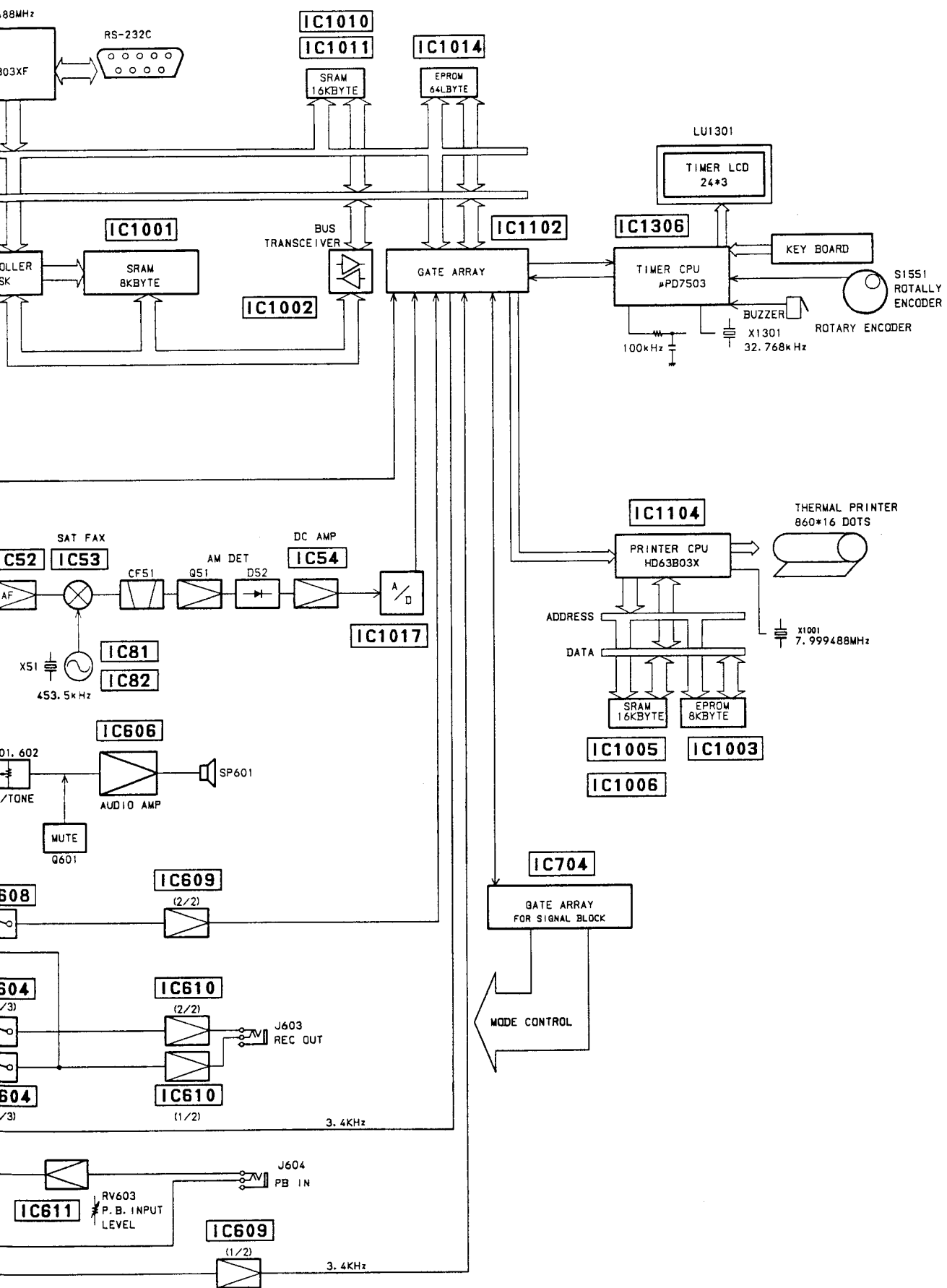
4-2. BLOCK DIAGRAM



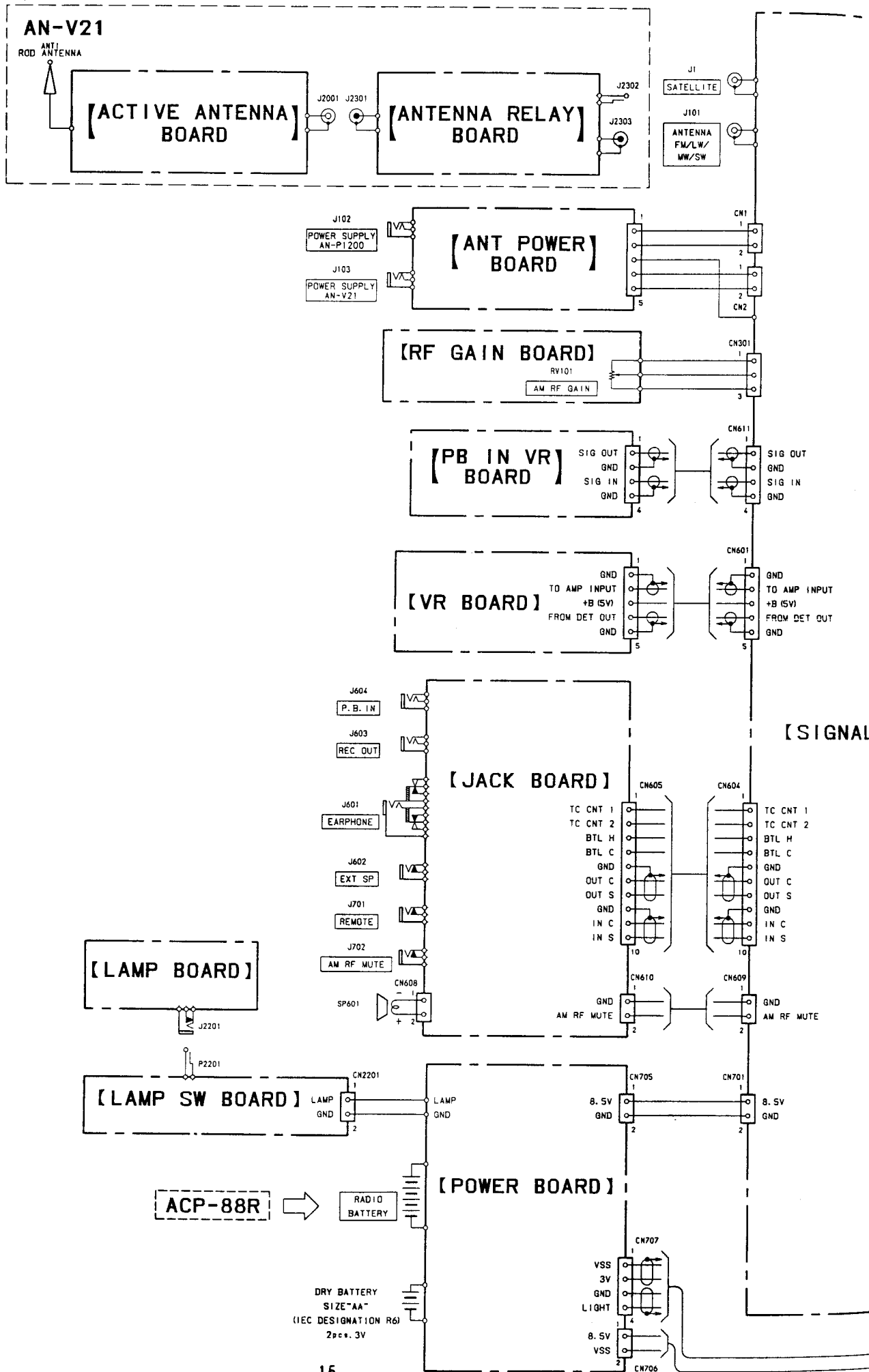


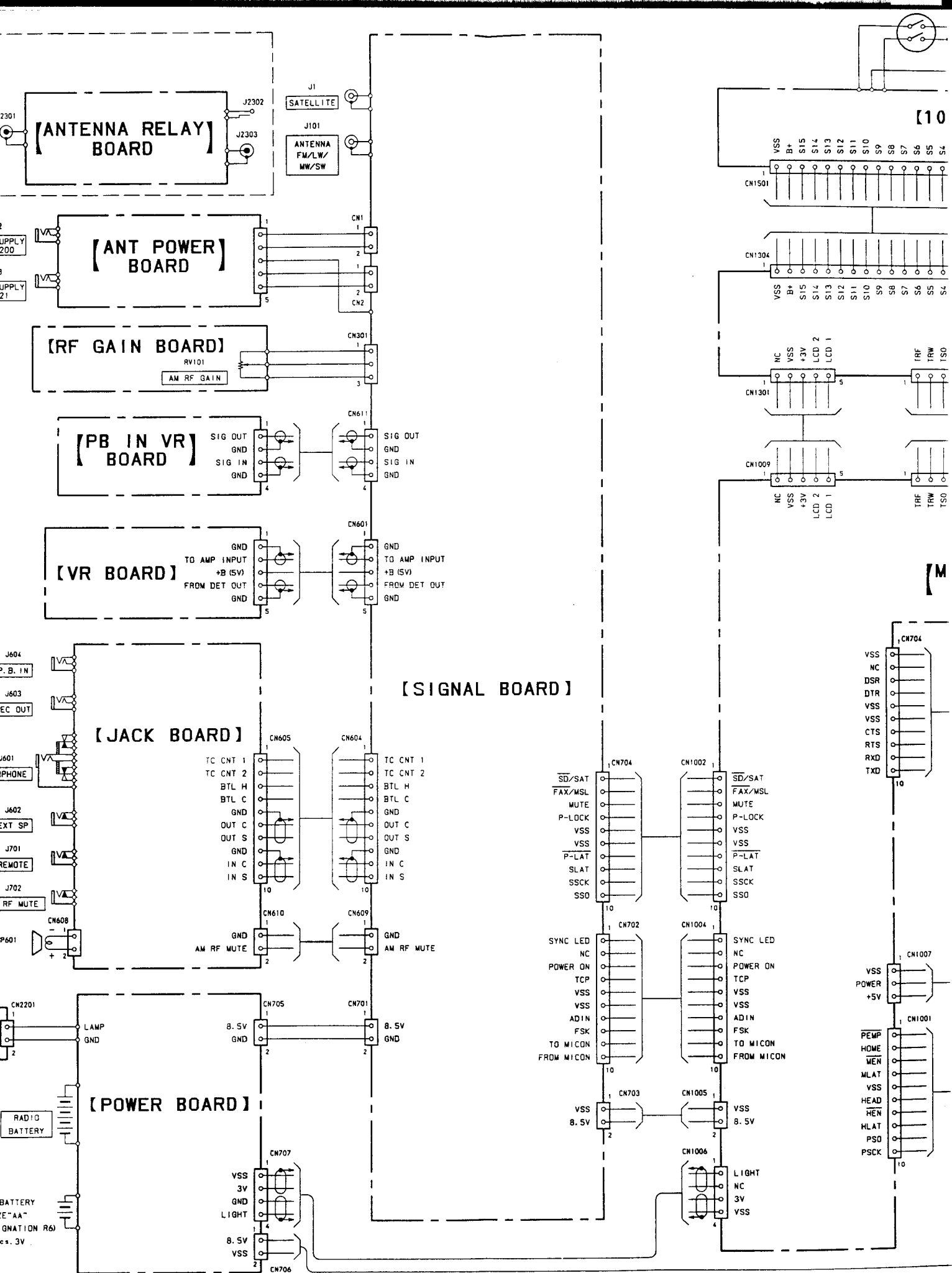


001



4-3. FRAME SCHEMATIC DIAGRAM





[10

[M

[SIGNAL BOARD]

[JACK BOARD]

[POWER BOARD]

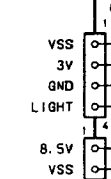
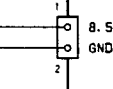
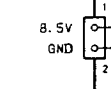
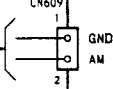
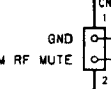
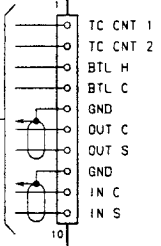
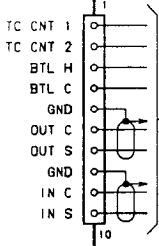
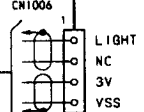
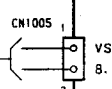
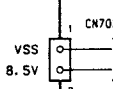
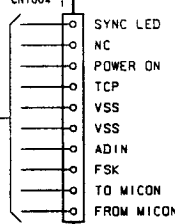
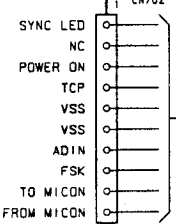
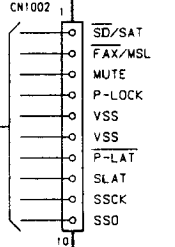
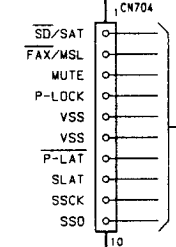
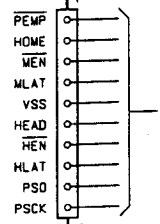
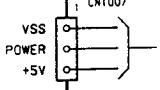
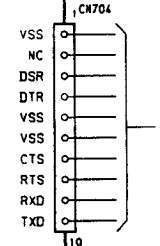
[ANTENNA RELAY BOARD]

[ANT POWER BOARD]

[RF GAIN BOARD]

[PB IN VR BOARD]

[VR BOARD]



SUPPLY
 200
 SUPPLY
 21

J604 P. B. IN
 J603 EC OUT
 J601 PHONE
 J602 EXT SP
 J701 REMOTE
 J702 RF MUTE
 CN608
 P601

CN2201 LAMP
 GND
 RADIO BATTERY
 BATTERY "AA"
 (NATION R6)
 cs. 3V

J1 SATELLITE
 J101 ANTENNA
 FM/LW/
 MW/SW

RV101

AM RF GAIN

TO AMP INPUT
+B (5V)
FROM DET OUT
GND

TC CNT 1
 TC CNT 2
 BTL H
 BTL C
 GND
 OUT C
 OUT S
 GND
 IN C
 IN S

GND
 AM RF MUTE

8.5V
 GND

VSS
 3V
 GND
 LIGHT
 8.5V
 VSS

CN1
 CN2

CN301

CN611
 SIG OUT
 GND
 SIG IN
 GND

CN601
 GND
 TO AMP INPUT
 +B (5V)
 FROM DET OUT
 GND

TC CNT 1
 TC CNT 2
 BTL H
 BTL C
 GND
 OUT C
 OUT S
 GND
 IN C
 IN S

GND
 AM RF MUTE

8.5V
 GND

VSS
 3V
 GND
 LIGHT
 8.5V
 VSS

CN1501
 VSS
 B+
 S15
 S14
 S13
 S12
 S11
 S10
 S9
 S8
 S7
 S6
 S5
 S4

CN1304
 VSS
 B+
 S15
 S14
 S13
 S12
 S11
 S10
 S9
 S8
 S7
 S6
 S5
 S4

CN1301
 NC
 VSS
 +3V
 LCD 2
 LCD 1
 TRF
 TRW
 TSO

CN1009
 NC
 VSS
 +3V
 LCD 2
 LCD 1
 TRF
 TRW
 TSO

CN704
 VSS
 NC
 DSR
 VSS
 CTS
 RTS
 RXD
 TXD

CN1002
 SD/SAT
 FAX/MSL
 MUTE
 P-LOCK
 VSS
 VSS
 P-LAT
 SLAT
 SSCK
 SSD

CN1004
 SYNC LED
 NC
 POWER ON
 TCP
 VSS
 VSS
 ADIN
 FSK
 TO MICON
 FROM MICON

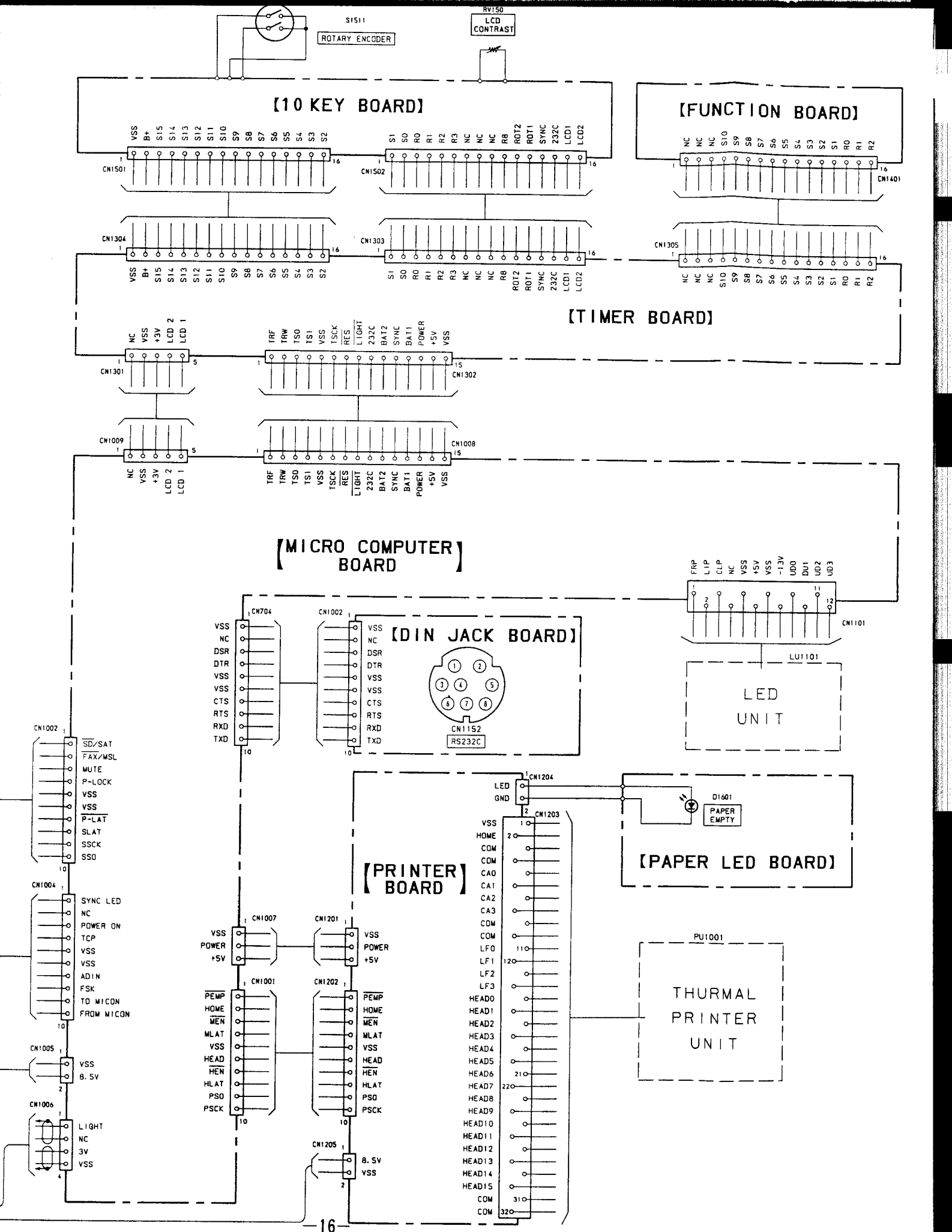
CN703
 VSS
 8.5V

CN1005
 VSS
 8.5V

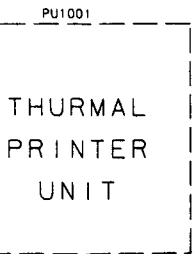
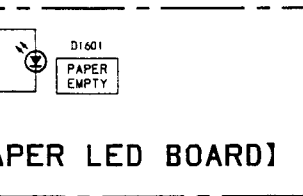
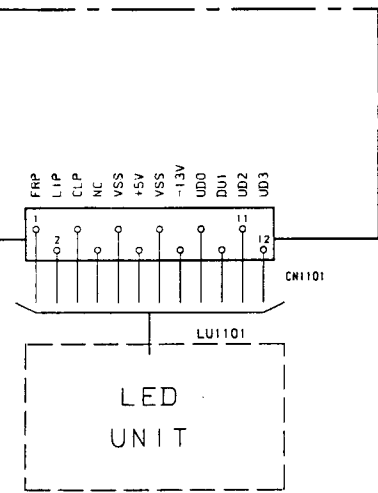
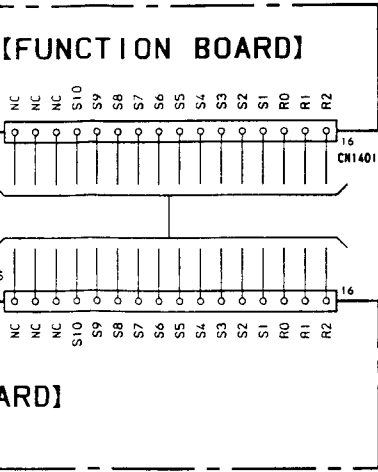
CN1006
 LIGHT
 NC
 3V
 VSS

CN1007
 VSS
 POWER
 +5V

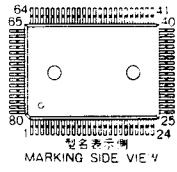
CN1001
 PEMP
 HOME
 MEN
 MLAT
 VSS
 HEAD
 MEN
 MLAT
 PSD
 PSCK



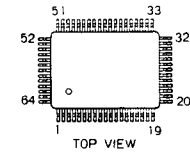
4.4. SEMICONDUCTOR LEAD LAYOUTS



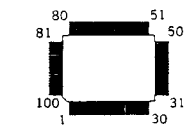
HD63B03XF
MSM6255GS-K



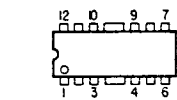
HG61H04B13F
 μ PD7503G-A78-12



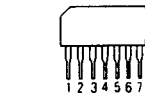
HG61H20B20F



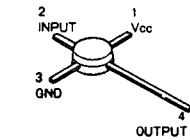
LA4550



μ PC1037HA



μ PC1651G



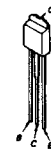
DTC124XS



2SA1441



2SB962



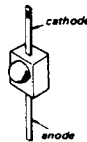
2SC1815Y



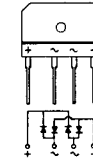
2SD1487



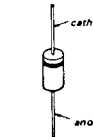
BG2222S-B1



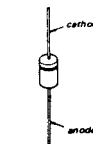
D5SB60



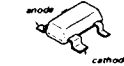
ERA81-005



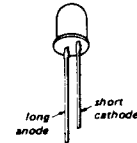
ERC81-004



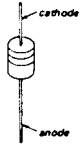
GL1EG51



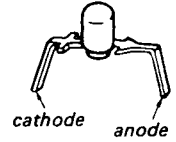
GL3PG8



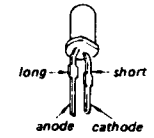
RD10ES-B2
RD5.6ES-B2
1SS119
1SS168



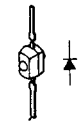
SEL351G



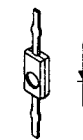
TLR124



TLUR122



1T33



• Semiconductor Location (For radio section on page 26 - 30)

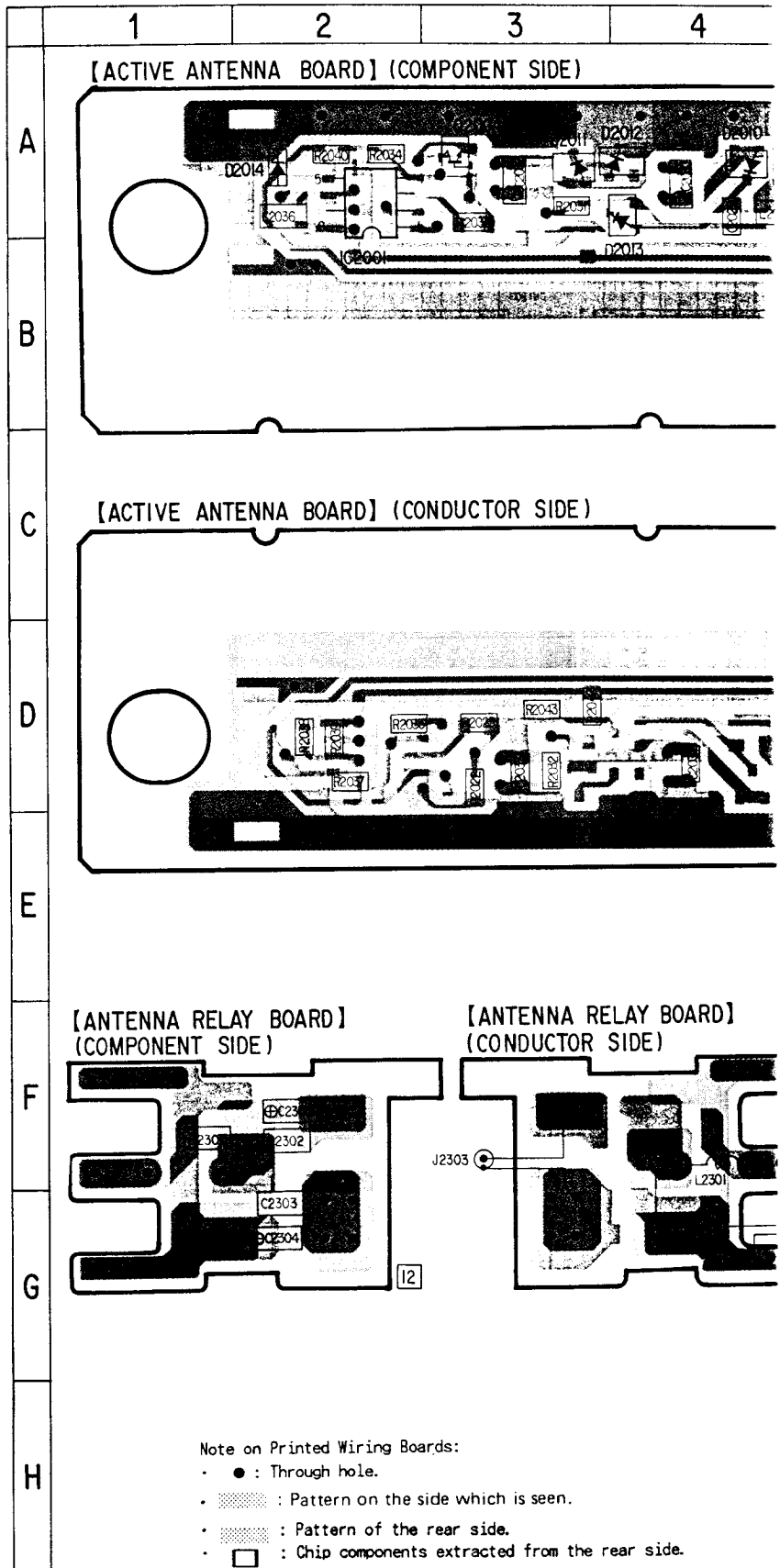
Ref. No.	Location	Ref. No.	Location	Ref. No.	Location	Ref. No.	Location
D1	G-32	D705	F-22	IC807	K-7	Q412	D-6
D2	H-32	D706	F-22	IC808	J-28	Q413	D-5
D3	B-3	D801	H-28	IC2201	B-37	Q414	D-9
D4	C-33	D802	J-29			Q415	E-9
D31	G-31	D821	H-30	Q3	G-32	Q416	D-8
D32	G-32	D822	H-29	Q5	F-32	Q501	A-27
D33	F-32	D823	I-29	Q6	E-32	Q502	E-25
D34	F-32	D824	I-6	Q7	C-33	Q503	C-24
D35	D-32	D825	H-30	Q8	C-3	Q504	C-24
D51	A-19	D851	K-30	Q9	C-3	Q505	C-26
D52	B-17	D852	K-29	Q11	B-3	Q506	B-26
D101	L-5	D901	K-28	Q12	C-4	Q507	C-26
D102	L-5	D902	K-27	Q13	B-4	Q601	D-13
D103	L-5	D951	I-9	Q14	C-4	Q602	E-12
D104	L-5	D952	I-10	Q31	G-4	Q701	F-19
D201	J-2			Q32	F-31	Q702	G-15
D202	J-2	IC51	B-14	Q33	E-5	Q703	G-21
D203	H-2	IC52	B-14	Q34	D-32	Q704	F-13
D204	J-2	IC53	B-21	Q35	C-32	Q705	F-14
D205	J-2	IC54	B-16	Q36	C-4	Q706	A-23
D206	H-2	IC81	B-14	Q51	A-19	Q801	H-28
D207	J-3	IC82	B-15	Q201	K-34	Q802	I-28
D208	J-3	IC301	E-33	Q202	K-34	Q803	J-7
D209	H-3	IC401	A-4	Q203	K-33	Q804	J-29
D210	J-3	IC402	B-5	Q204	K-33	Q805	J-29
D211	J-3	IC403	C-29	Q205	K-32	Q821	H-30
D212	H-3	IC405	D-10	Q206	K-32	Q822	I-30
D213	J-4	IC406	B-6	Q207	K-32	Q823	G-29
D214	J-4	IC501	B-10	Q208	H-2	Q824	H-29
D215	H-3	IC502	B-10	Q209	H-2	Q825	G-8
D216	J-4	IC503	B-13	Q210	H-2	Q826	G-8
D217	J-4	IC504	C-27	Q211	H-3	Q827	J-6
D218	H-4	IC505	C-11	Q212	H-3	Q828	J-29
D219	J-4	IC506	B-11	Q213	H-4	Q829	J-30
D220	J-4	IC507	B-10	Q214	H-5	Q830	J-5
D221	H-4	IC601	D-11	Q215	K-34	Q831	H-30
D301	G-3	IC602	E-11	Q216	K-34	Q832	G-6
D302	G-2	IC603	D-12	Q217	K-33	Q833	G-6
D303	G-34	IC604	D-13	Q301	G-33	Q851	K-30
D304	F-35	IC605	J-13	Q302	G-34	Q852	K-7
D305	F-3	IC606	D-21	Q303	F-34	Q853	K-29
D306	F-35	IC607	E-13	Q304	F-34	Q854	K-29
D401	C-28	IC608	F-12	Q305	F-33	Q855	K-30
D402	D-28	IC609	F-12	Q306	F-33	Q856	K-6
D404	C-28	IC610	C-13	Q307	C-34	Q857	K-7
D405	D-31	IC611	C-17	Q308	B-34	Q858	K-7
D406	D-31	IC702	F-15	Q309	G-34	Q901	K-28
D501	B-12	IC703	F-15	Q310	G-2	Q902	J-8
D502	B-26	IC704	F-7	Q401	B-32	Q903	J-27
D503	B-27	IC705	G-10	Q402	A-28	Q904	K-27
D601	D-21	IC706	G-11	Q403	D-7	Q905	J-28
D602	D-21	IC707	F-6	Q404	C-8	Q951	H-10
D603	E-12	IC801	I-6	Q405	D-7	Q952	H-27
D604	E-12	IC802	I-7	Q407	D-30	Q2201	B-38
D605	E-13	IC803	K-7	Q408	A-8	Q2202	C-38
D606	E-13	IC804	K-9	Q409	C-8	Q2203	C-37
D607	E-14	IC805	G-9	Q410	B-28	Q2204	C-36
D608	E-14	IC806	H-9	Q411	D-6		

A
B
C
D
E
F
G
H

4-5. PRINTED WIRING BOARDS
 - ACTIVE ANTENNA (AN-V21) -

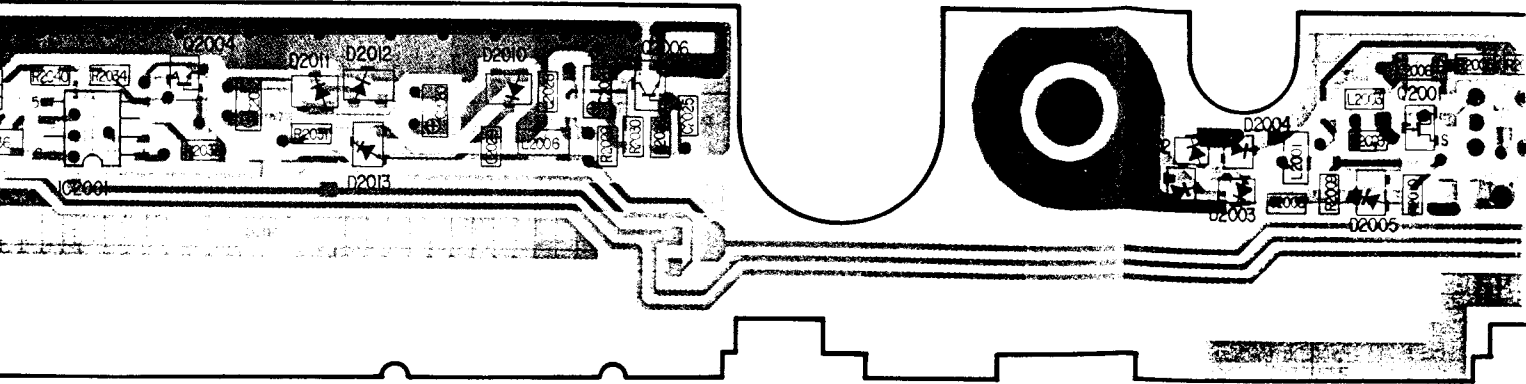
30)

Location	Ref. No.	Location
K-7	Q412	D-6
J-28	Q413	D-5
B-37	Q414	D-9
	Q415	E-9
G-32	Q416	D-8
F-32	Q501	A-27
E-32	Q502	E-25
C-33	Q503	C-24
C-3	Q504	C-24
C-3	Q505	C-26
B-3	Q506	B-26
C-4	Q507	C-26
B-4	Q601	D-13
C-4	Q602	E-12
G-4	Q701	F-19
F-31	Q702	G-15
E-5	Q703	G-21
D-32	Q704	F-13
C-32	Q705	F-14
C-4	Q706	A-23
A-19	Q801	H-28
K-34	Q802	I-28
K-34	Q803	J-7
K-33	Q804	J-29
K-33	Q805	J-29
K-32	Q821	H-30
K-32	Q822	I-30
K-32	Q823	G-29
H-2	Q824	H-29
H-2	Q825	G-8
H-2	Q826	G-8
H-3	Q827	J-6
H-3	Q828	J-29
H-4	Q829	J-30
H-5	Q830	J-5
K-34	Q831	H-30
K-34	Q832	G-6
K-33	Q833	G-6
G-33	Q851	K-30
G-34	Q852	K-7
F-34	Q853	K-29
F-34	Q854	K-29
F-33	Q855	K-30
F-33	Q856	K-6
C-34	Q857	K-7
B-34	Q858	K-7
G-34	Q901	K-28
G-2	Q902	J-8
B-32	Q903	J-27
A-28	Q904	K-27
D-7	Q905	J-28
C-8	Q951	H-10
D-7	Q952	H-27
D-30	Q2201	B-38
A-8	Q2202	C-38
C-8	Q2203	C-37
B-28	Q2204	C-36
D-6		

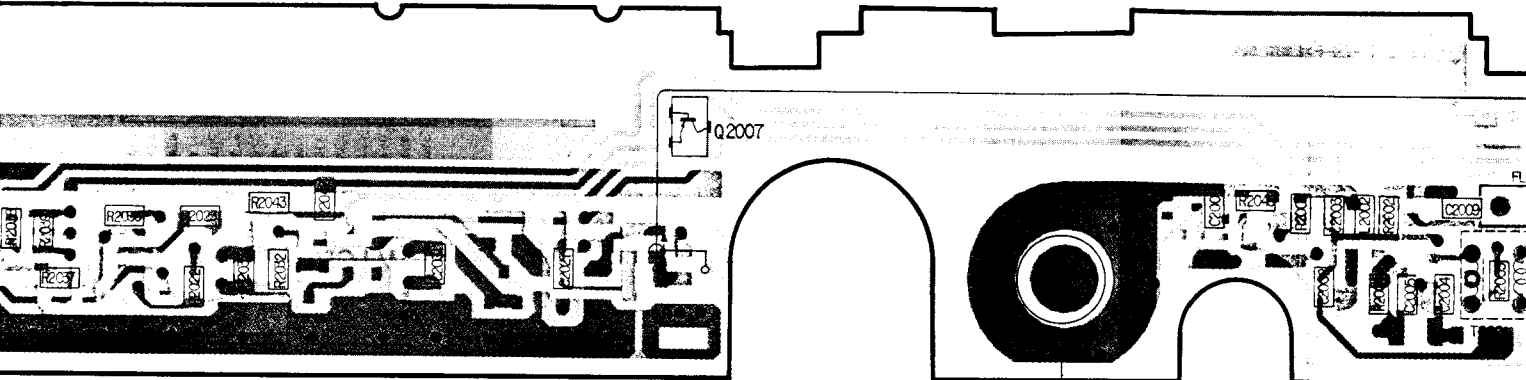


2 3 4 5 6 7 8 9

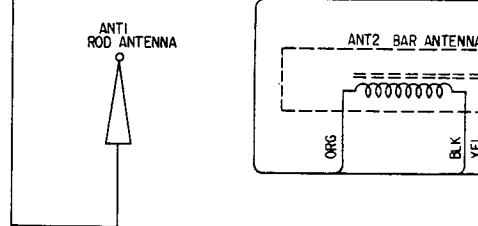
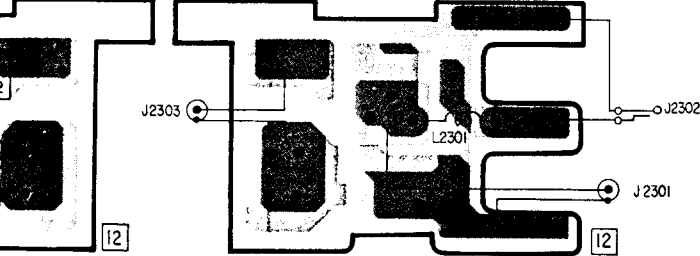
BOARD] (COMPONENT SIDE)



BOARD] (CONDUCTOR SIDE)



BOARD] (ANTENNA RELAY BOARD)
 (CONDUCTOR SIDE)



● SEMICONDUCTOR LOCATION

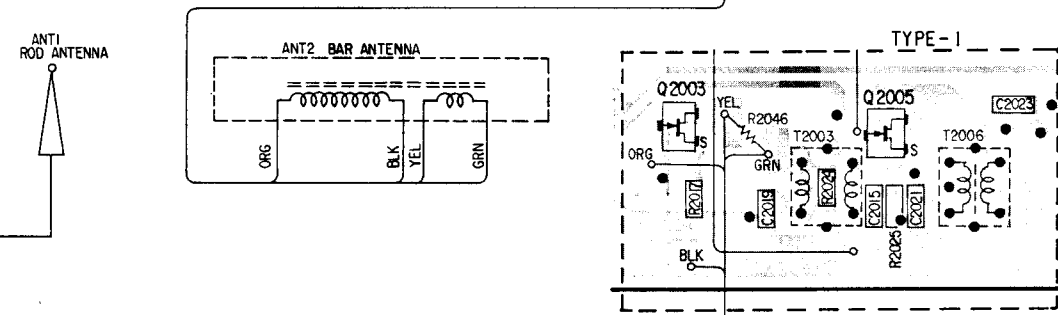
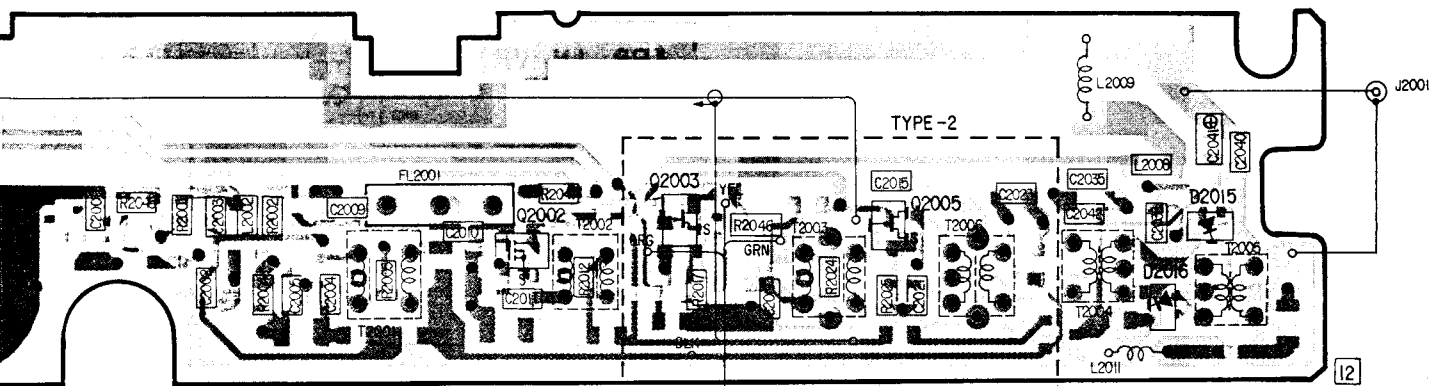
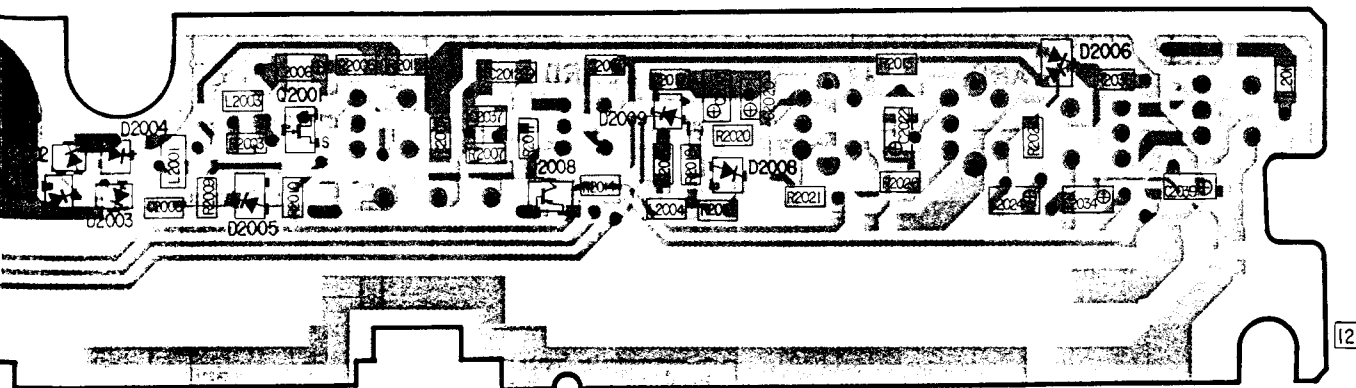
Ref. No.	Location	Ref. No.
D2001	B-8	D2015
D2002	A-8	D2016
D2003	B-8	
D2004	A-8	IC200
D2005	B-8	
D2006	A-12	Q2001
D2008	A-11	Q2002
D2009	A-10	Q2003
D2010	A-4	Q2004
D2011	A-3	Q2005
D2012	A-4	Q2006
D2013	A-4	Q2007
D2014	A-2	Q2008

Wiring Boards:
 through hole.

Pattern on the side which is seen.

Pattern of the rear side.

Chip components extracted from the rear side.

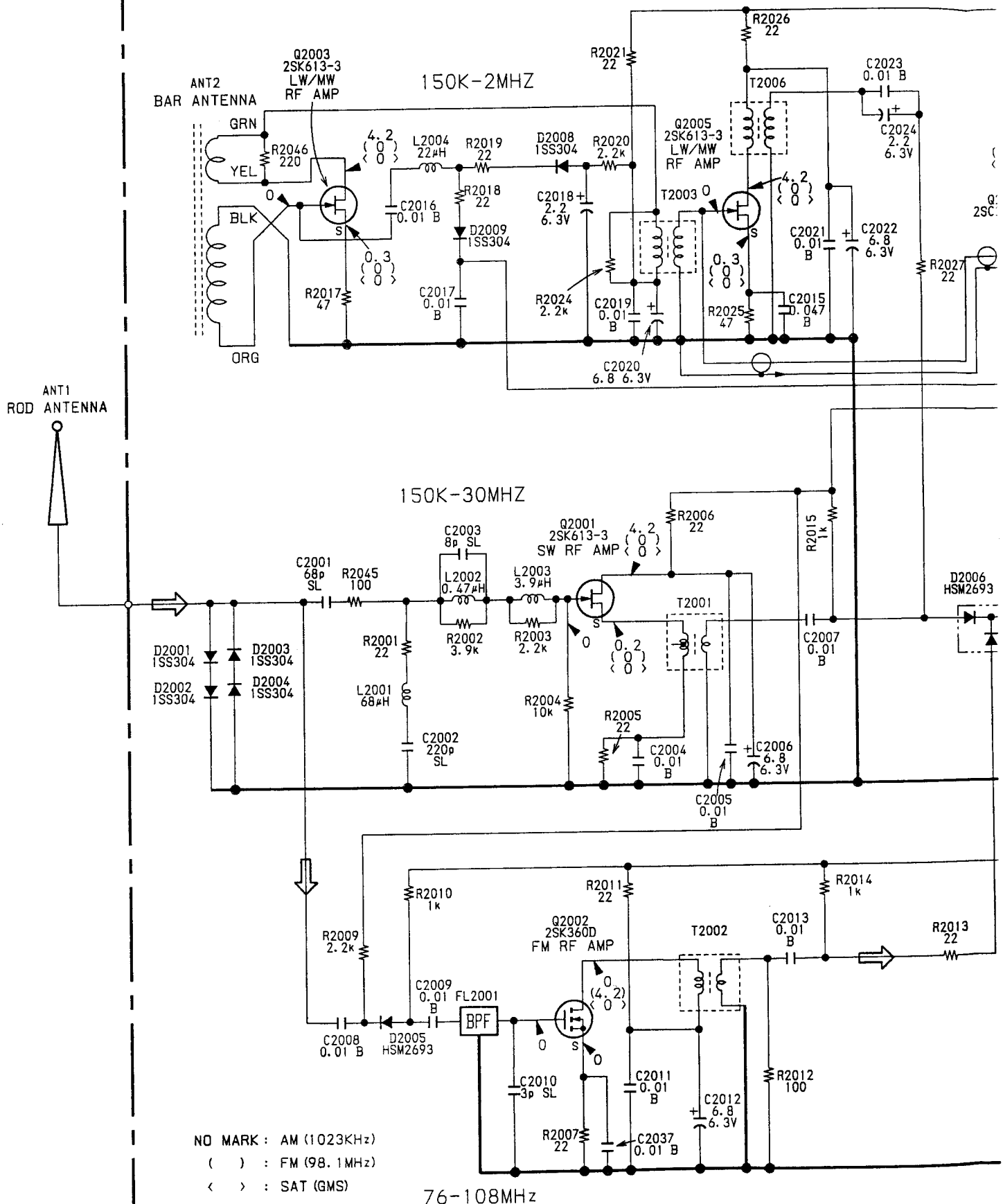


● SEMICONDUCTOR LOCATION

Ref. No.	Location	Ref. No.	Location
D2001	B-8	D2015	D-13
D2002	A-8	D2016	D-13
D2003	B-8		
D2004	A-8	IC2001	A-2
D2005	B-8		
D2006	A-12	Q2001	A-9
D2008	A-11	Q2002	D-10
D2009	A-10	Q2003	D-11
D2010	A-4	Q2004	A-3
D2011	A-3	Q2005	D-12
D2012	A-4	Q2006	A-5
D2013	A-4	Q2007	D-5
D2014	A-2	Q2008	B-10

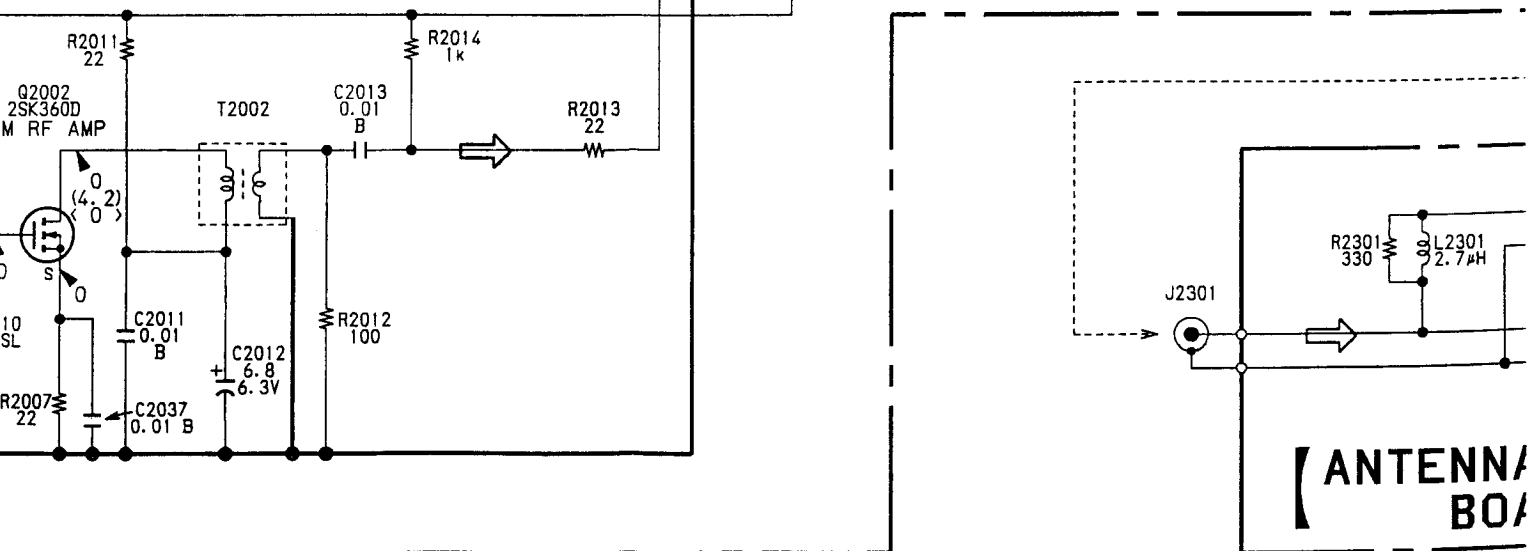
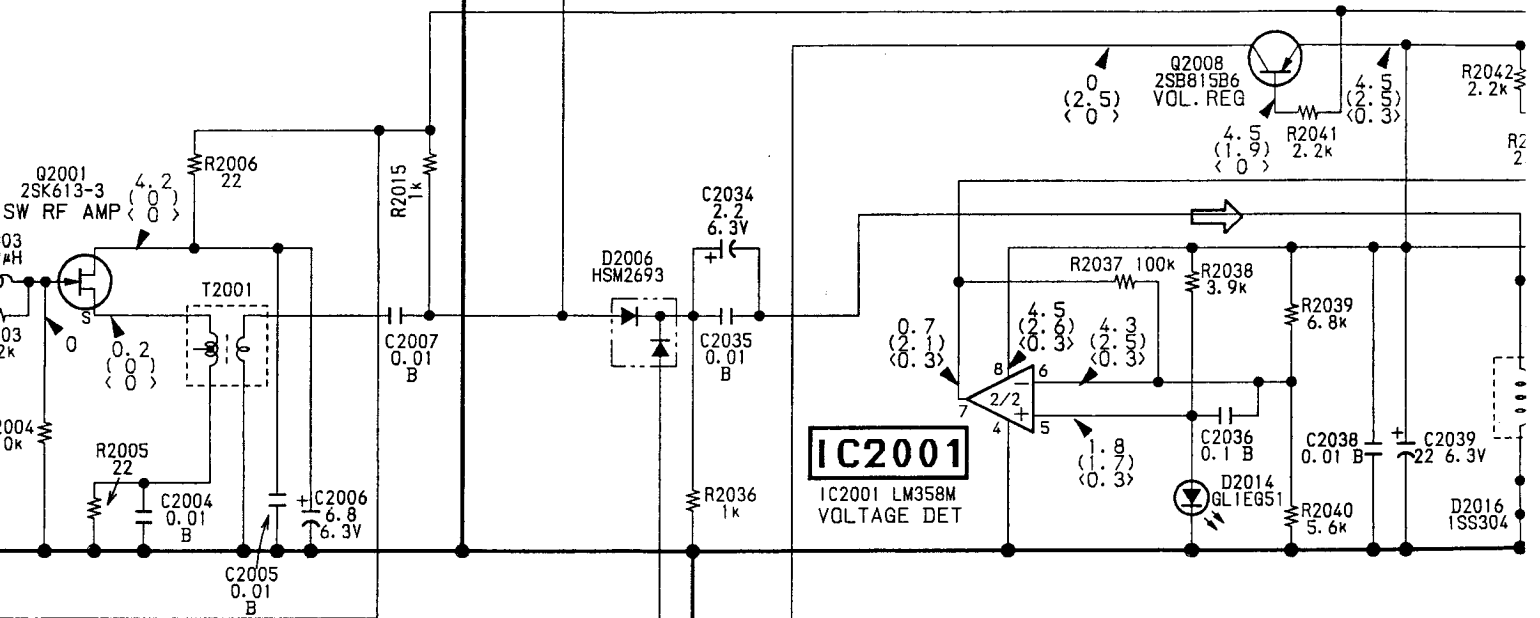
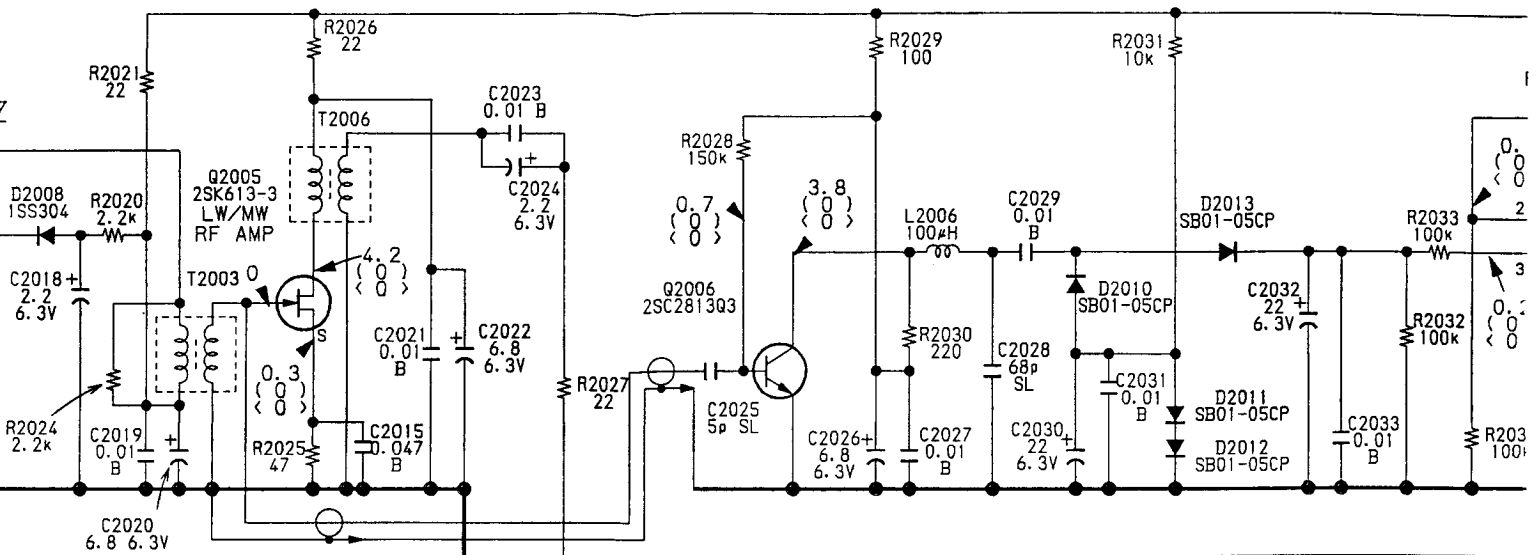
4-6. SCHEMATIC DIAGRAM - ACTIVE ANTENNA (AN-V21) -

[ACTIVE ANTENNA BOARD]



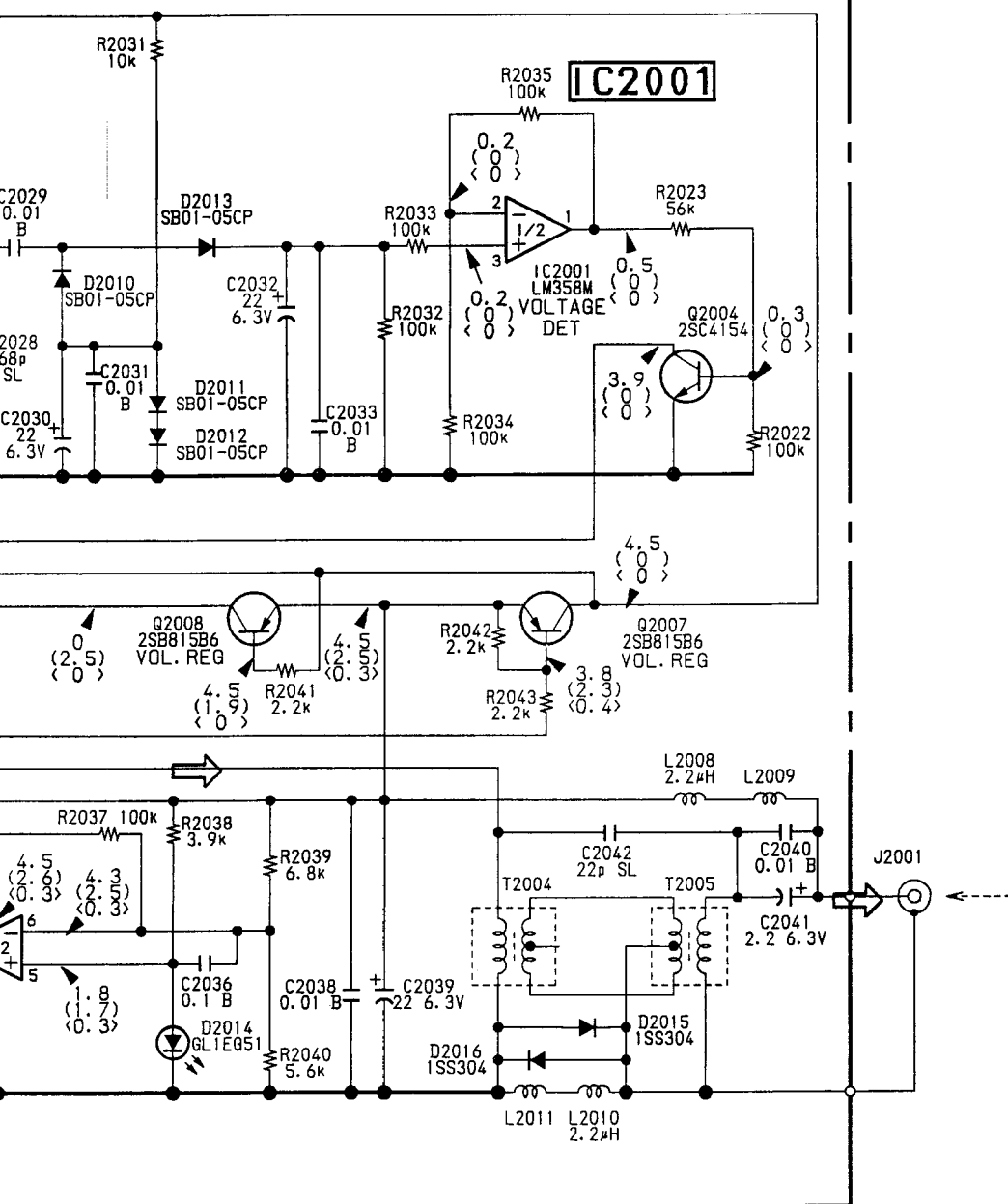
NO MARK : AM (1023KHz)
 () : FM (98.1MHz)
 < > : SAT (GMS)

BOARD]



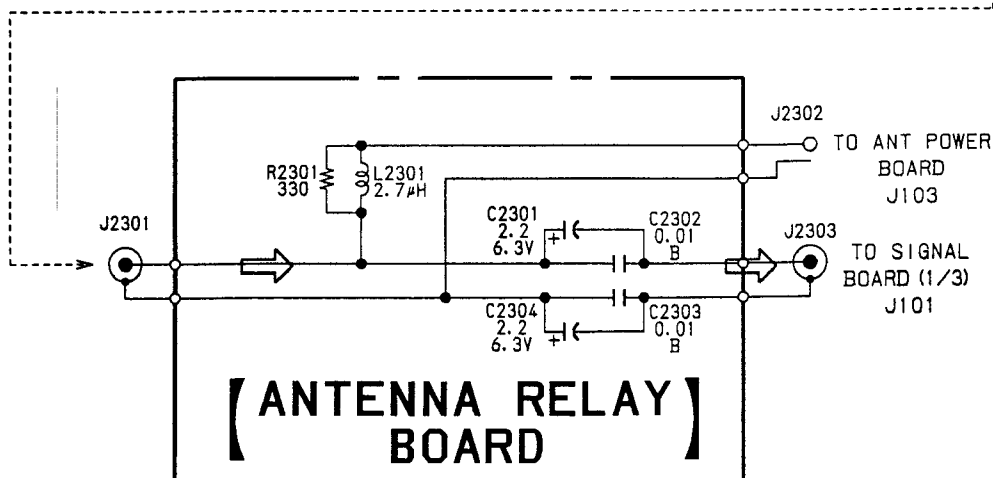
4-7. PRINTED WIRING BOARDS — RADIO SECTION (TYPE-1) —

- There is the difference between TYPE-1 and TYPE-2 in the portions ① — ⑥ . Refer to page 26 for other portions.
- Refer to page 19 for note.
- Refer to page 17 for Semiconductor L



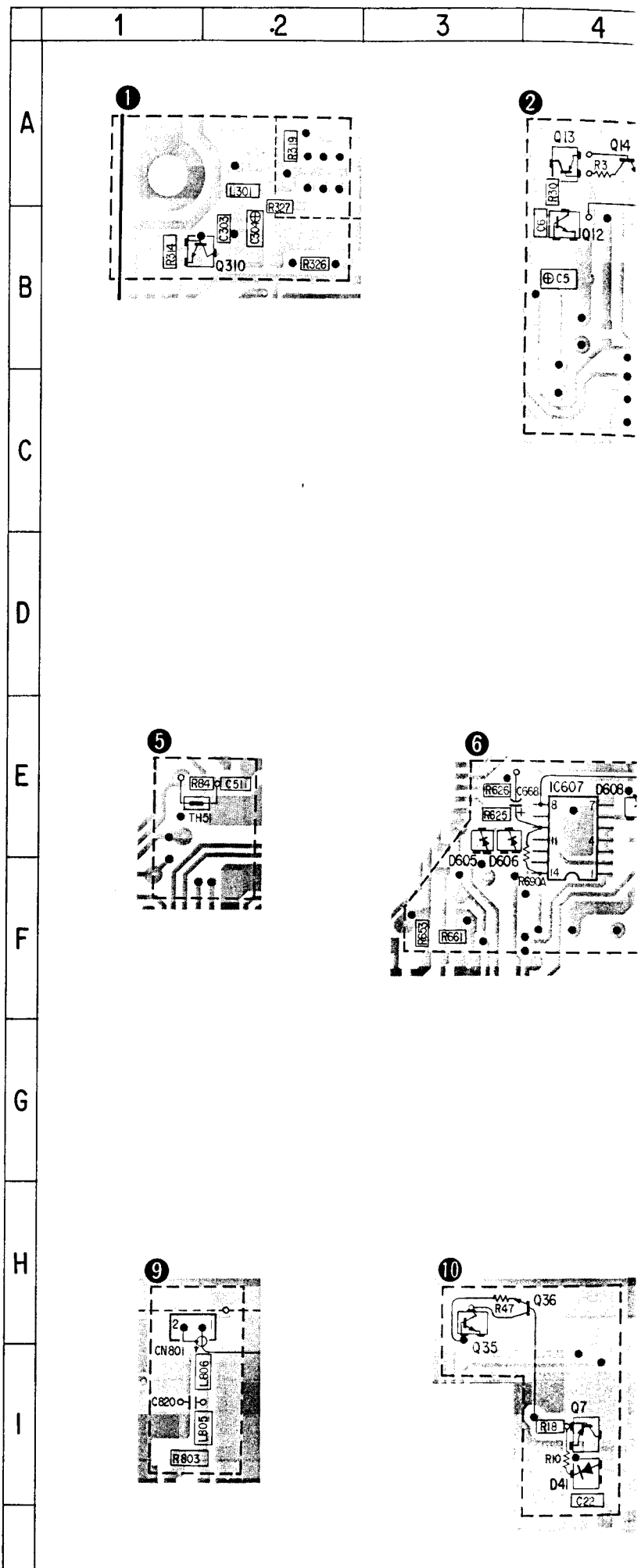
Note on Schematic Diagram:

- All capacitors are in μF unless otherwise note 50WV or less are not indicated except for electrolytic and tantalums.
- All resistors are in Ω and $\frac{1}{4}$ W or less unless specified.
- Δ : internal component.
- --- : B +Line.
- --- : B -Line.
- \square : adjustment for repair.
- Power voltage is dc 8.5V and fed with supplied (ACP-88R) from external power voltage jack.
- Voltage and waveforms are dc with respect to gr under no signal (detuned) conditions. Voltage are shown by no mark if the same value in all mode.
 - no mark: AM (1023kHz)
 - (): FM (98.1MHz)
 - (): SAT (GMS)
 - []: FAX (3622.5kHz)
- Voltages are taken with a VOM. (Input impedance Voltage variations may be noted due to normal component tolerances.
- Signal path.
 - \Rightarrow : FM



4-7. PRINTED WIRING BOARDS
 - RADIO SECTION (TYPE-1) -

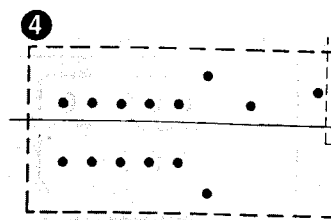
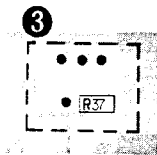
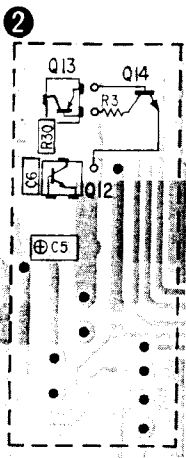
- There is the difference between TYPE-1 and TYPE-2 in the portions ① - ⑩ .
 Refer to page 26 for other portions.
- Refer to page 19 for note.
- Refer to page 17 for Semiconductor Lead Layouts.



Note on Schematic Diagram:

- All capacitors are in μF unless otherwise noted. pF: μpF
- 50WV or less are not indicated except for electrolytics and tantalums.
- All resistors are in Ω and $\frac{1}{4}\text{W}$ or less unless otherwise specified.
- Δ : internal component.
- --- : 8 +Line.
- --- : 8 -Line.
- \square : adjustment for repair.
- Power voltage is dc 8.5V and fed with supplied AC adaptor (ACP-88R) from external power voltage jack.
- Voltage and waveforms are dc with respect to ground under no signal (detuned) conditions.
- Voltage are shown by no mark if the same value is obtained in all mode.
 - no mark: AM (1023kHz)
 - () : FM (98.1MHz)
 - < > : SAT (GMS)
 - [] : FAX (3622.5kHz)
- Voltages are taken with a VOM. (Input impedance 10M Ω)
- Voltage variations may be noted due to normal production tolerances.
- Signal path.
- \Rightarrow : FM

T POWER
 BOARD
 03
 SIGNAL
 (1/3)
 01



13

14

[VR

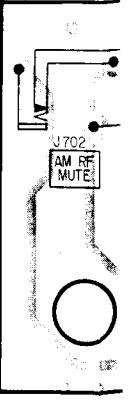


15

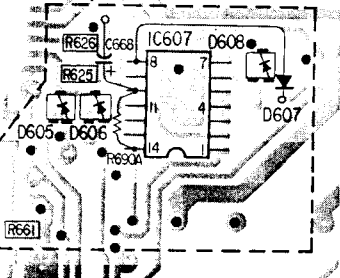
[JACK B0/



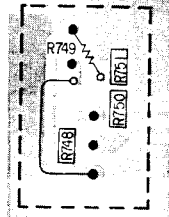
[JACK B0/



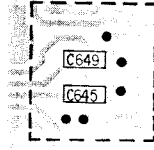
6



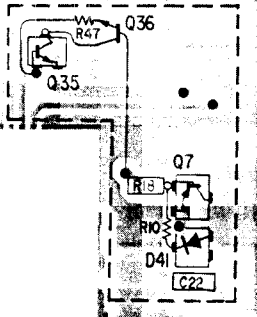
7



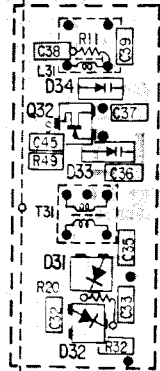
8



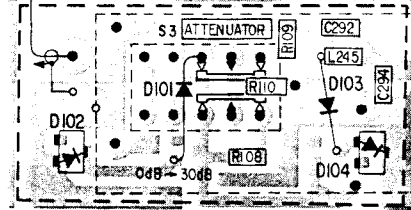
10

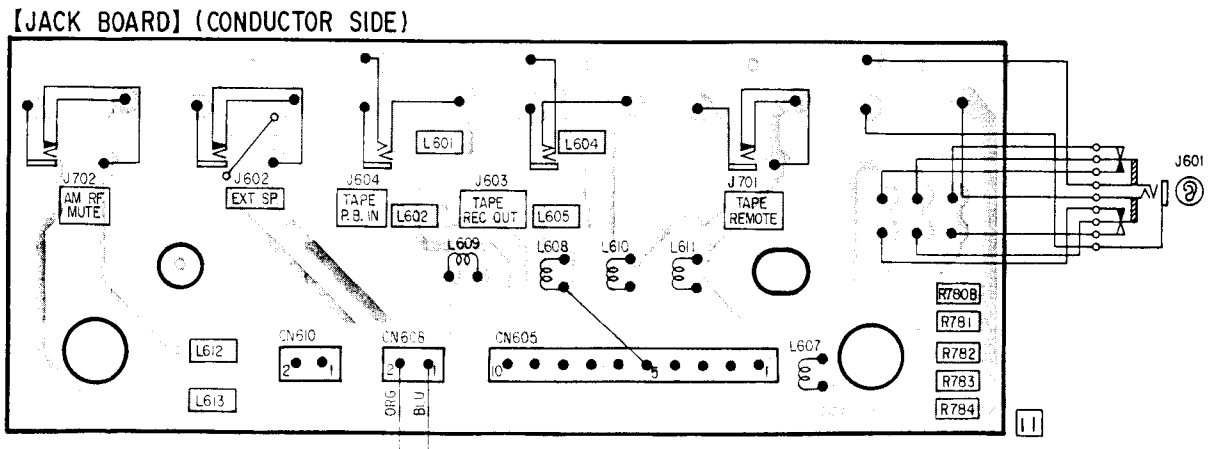
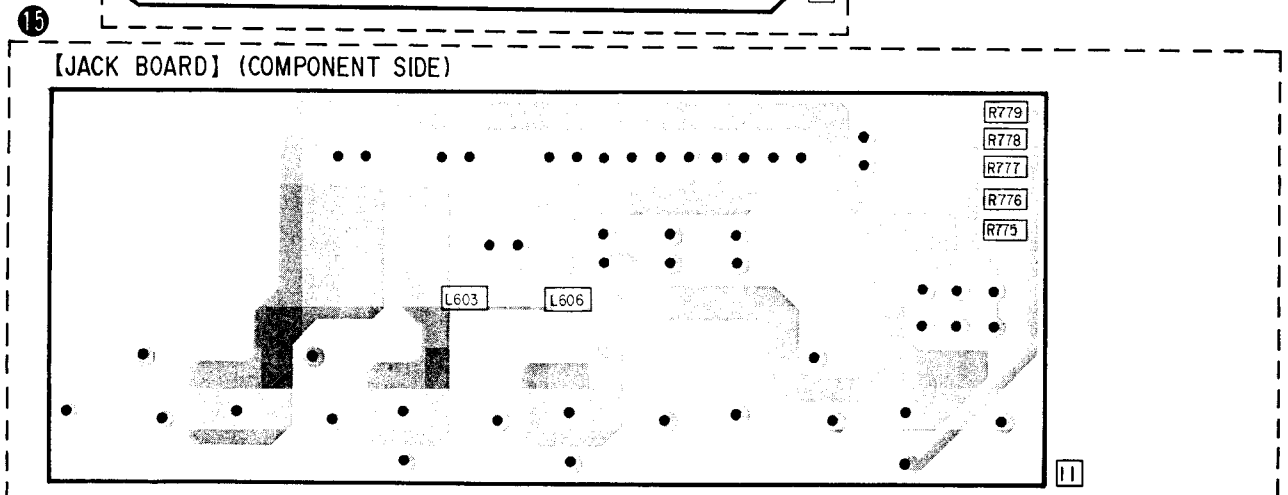
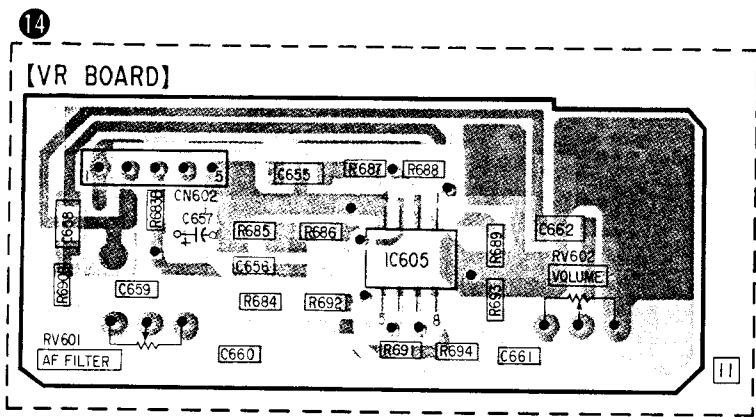
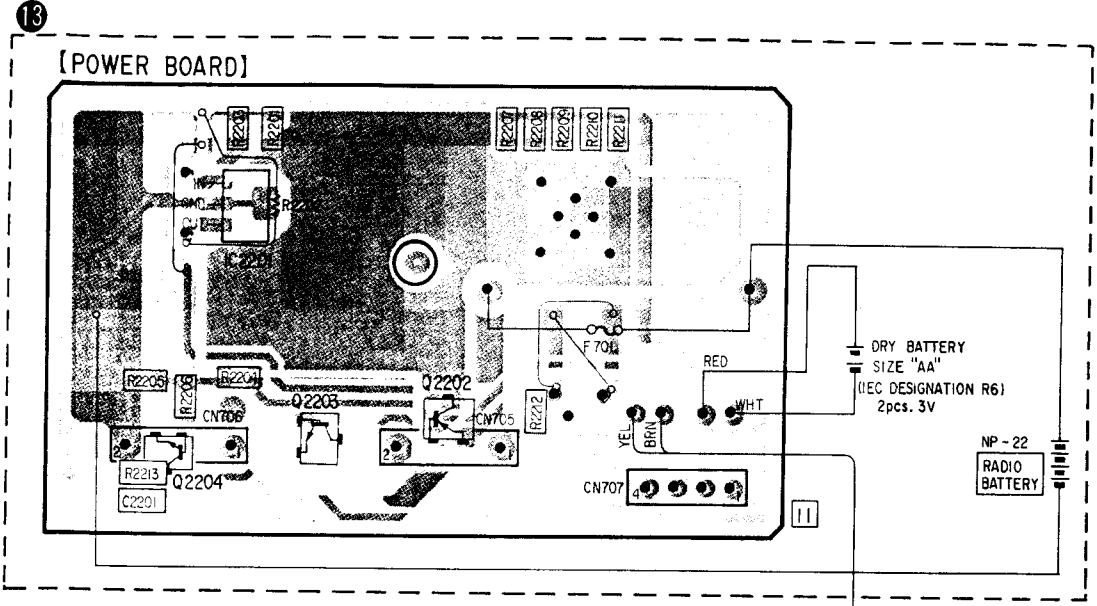


11



12

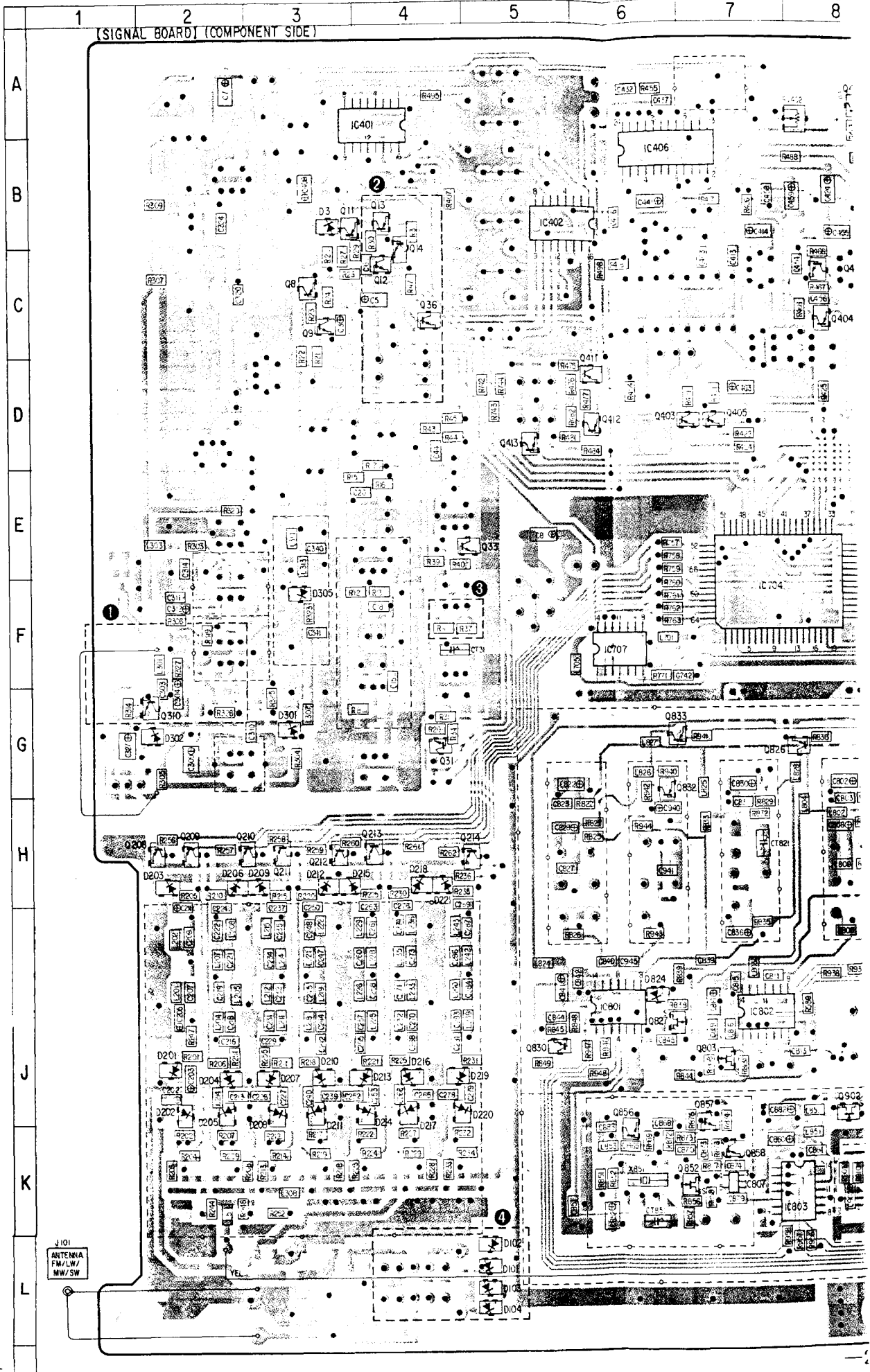




4-8. PRINTED WIRING BOARDS
- RADIO SECTION (TYPE-2) -

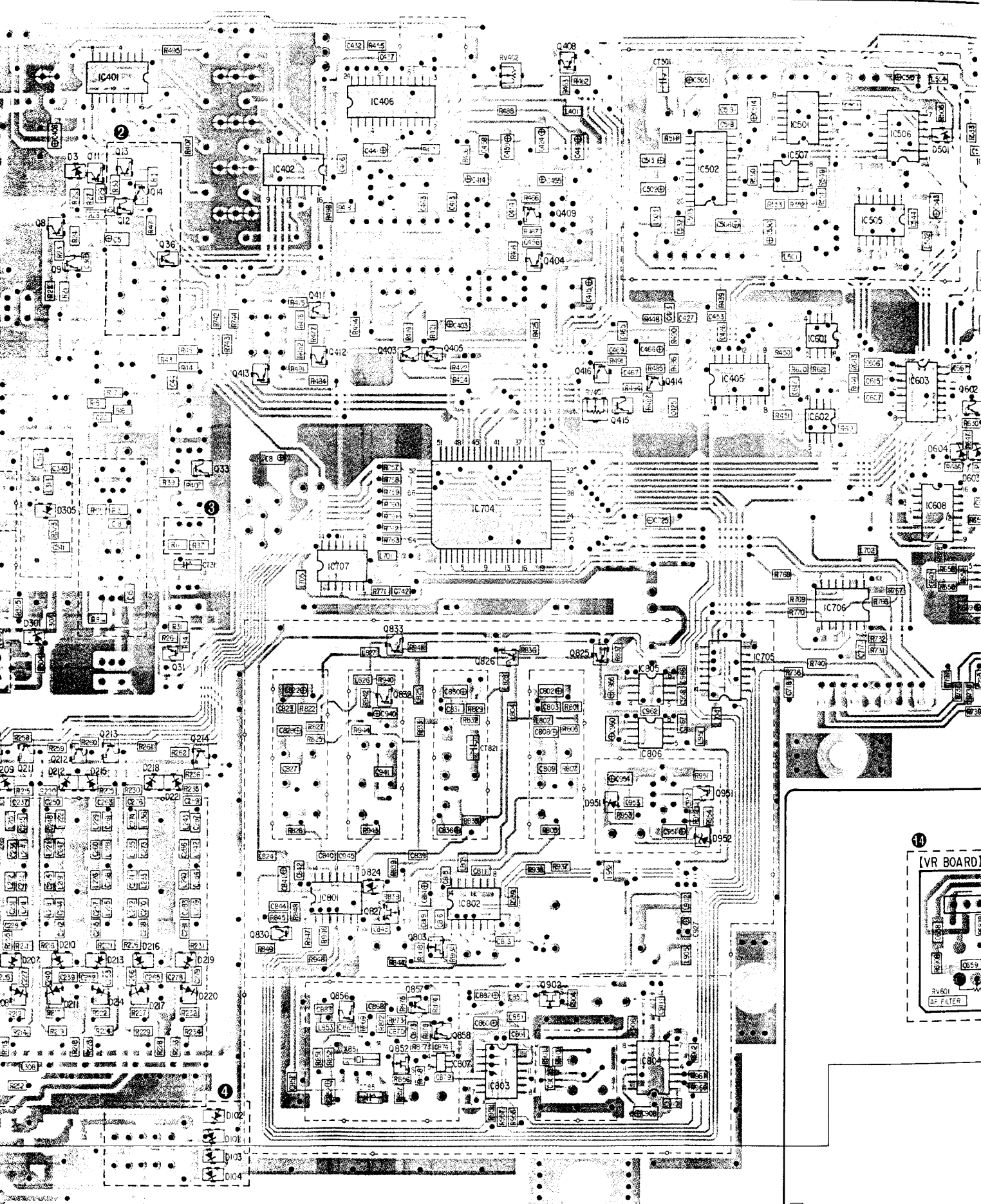
• There is the difference between TYPE-1 and TYPE-2 in the portions ① - ⑬.

• Refer to page 23 for
• Refer to page 19 for

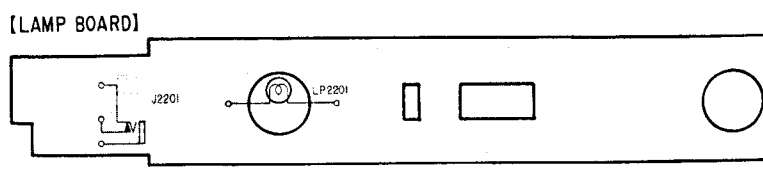
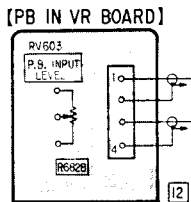
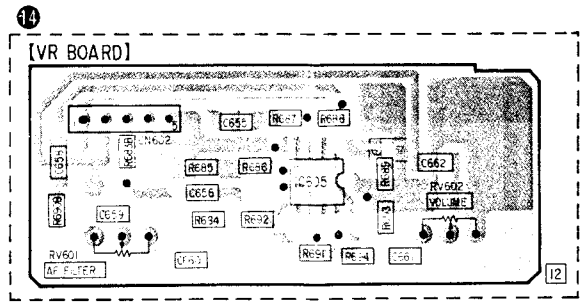
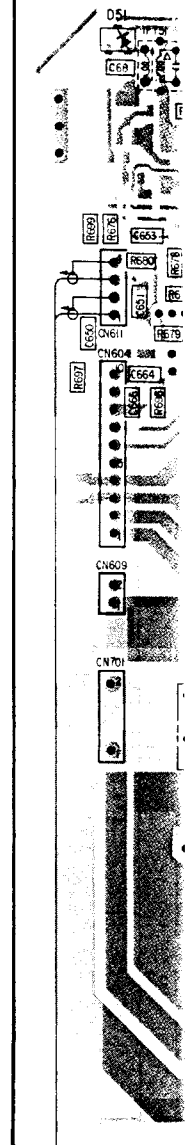
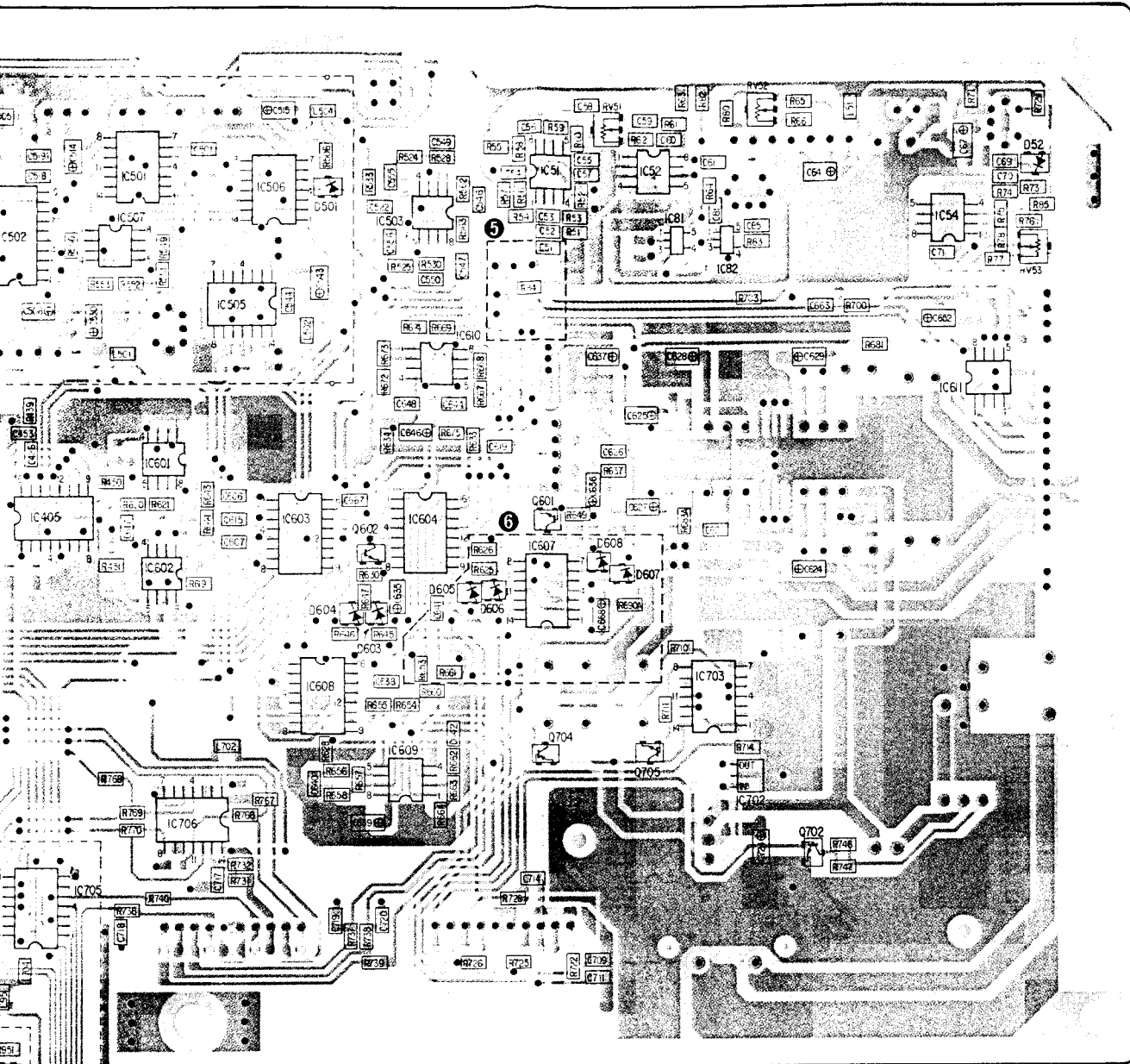


- There is the difference between TYPE-1 and TYPE-2 in the portions ① - ⑤.
- Refer to page 23 for TYPE-1 set.
- Refer to page 19 for note.
- Refer to page 17 for Semiconductor Lead L.
- Refer to page 18 for Semiconductor Locatic

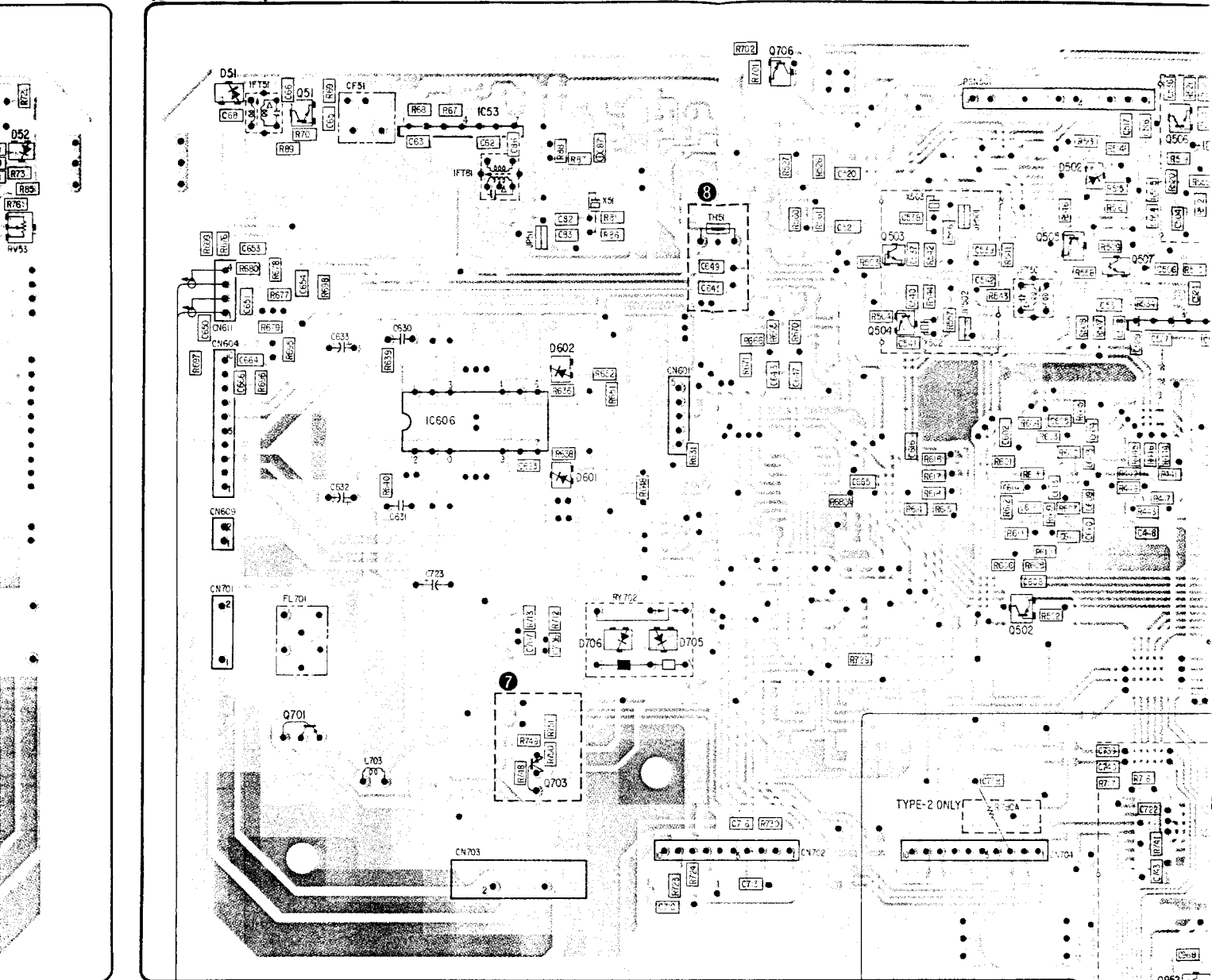
3	4	5	6	7	8	9	10	11	12
---	---	---	---	---	---	---	----	----	----



[SIGNAL BOARD]

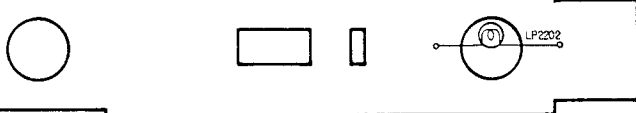
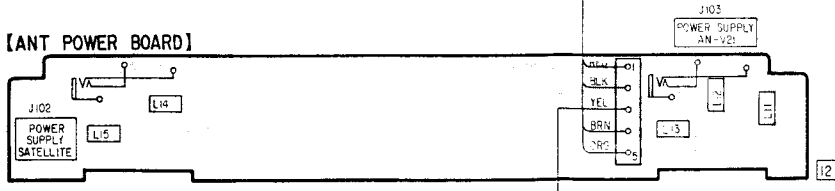


[SIGNAL BOARD] (CONDUCTOR SIDE)



BOARD]

[ANT POWER BOARD]



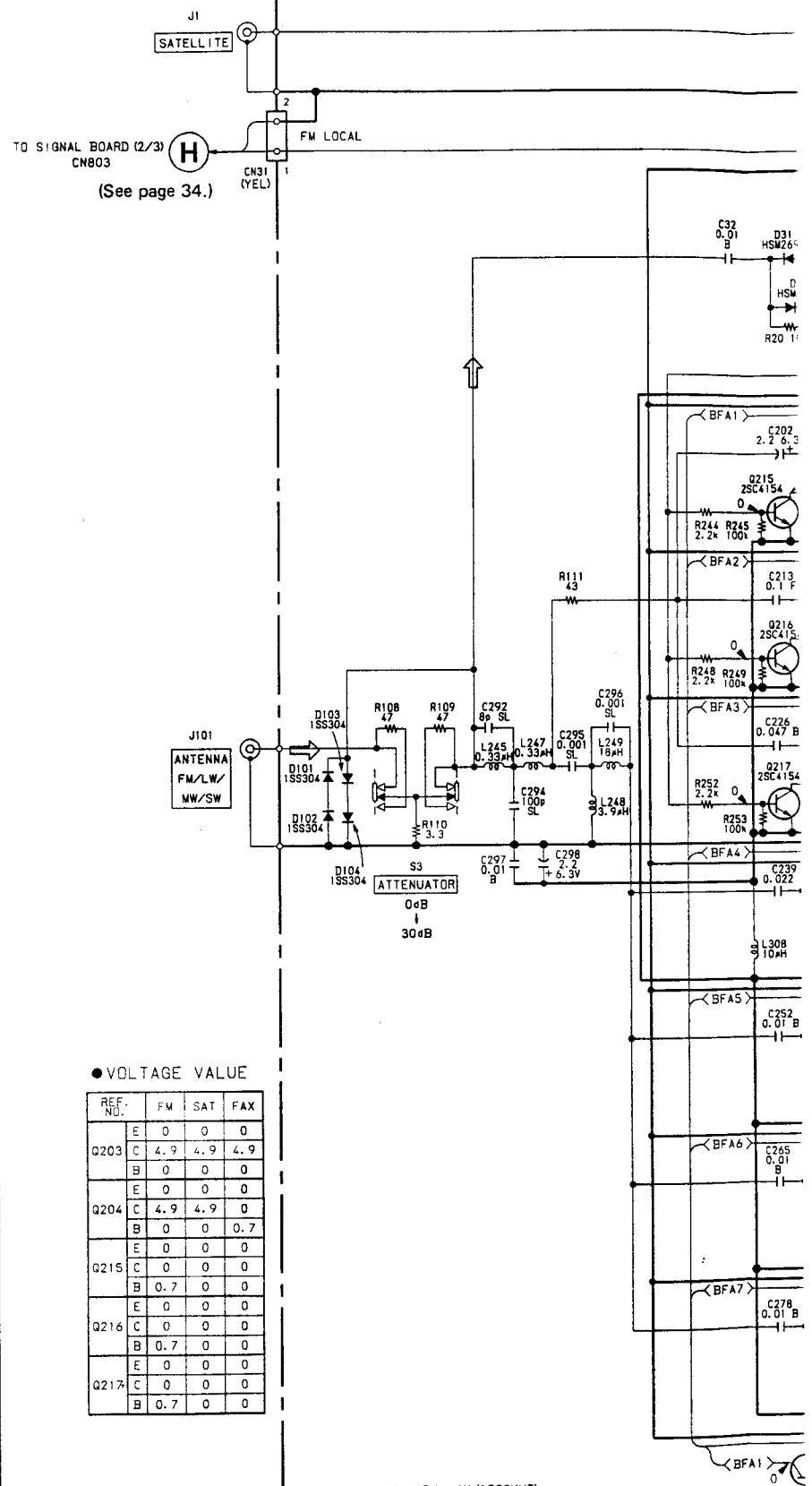


4-9. SCHEMATIC DIAGRAM
 - RF AMP/MIXER SECTION -

• Refer to page 23 for note.

A
B
C
D
E
F
G
H
I
J
K

[SIGNAL BOARD (1/3)]
 (RF)

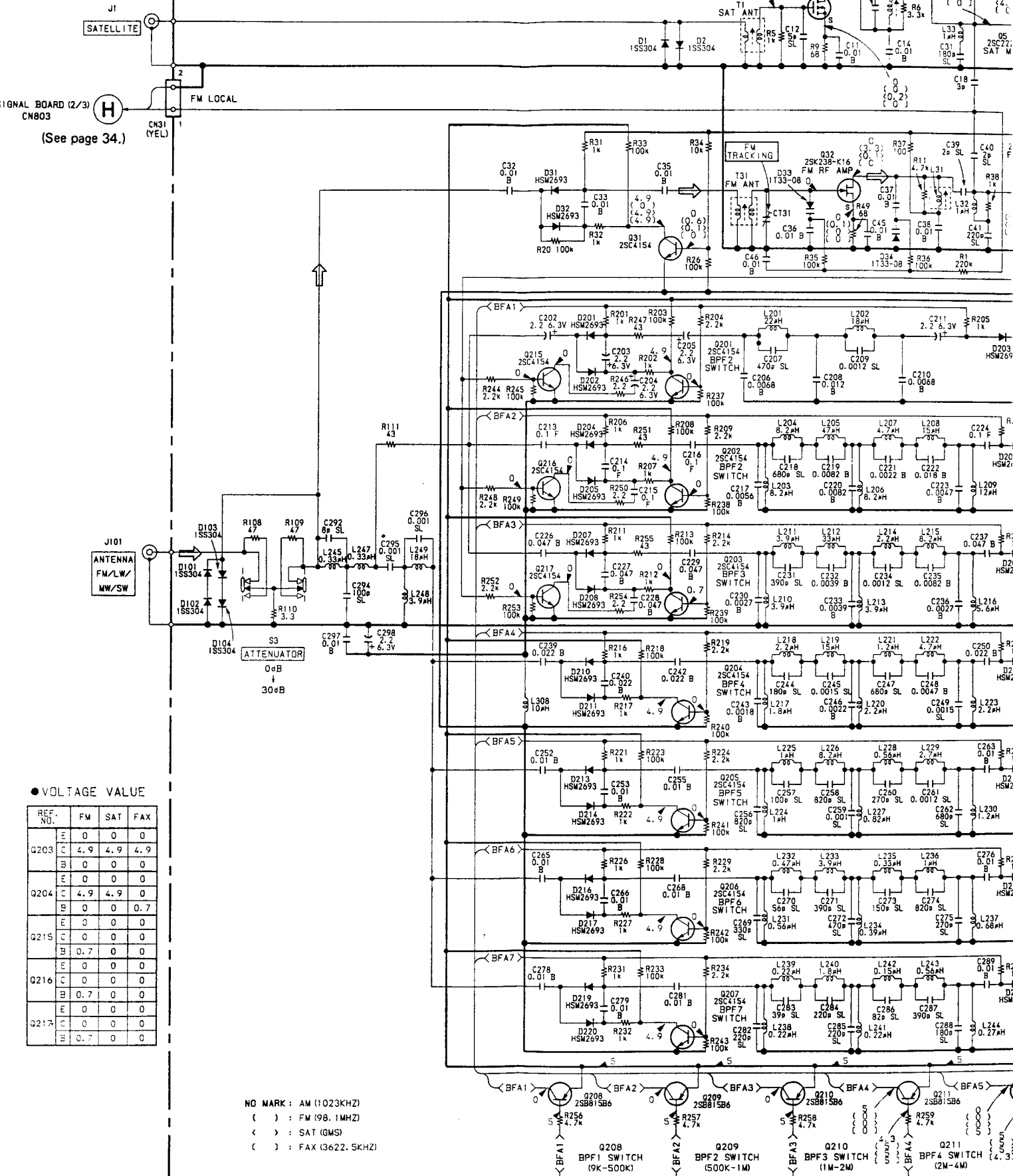


• VOLTAGE VALUE

REF. NO.	FM	SAT	FAX
Q203	E	0	0
	C	4.9	4.9
	B	0	0
Q204	E	0	0
	C	4.9	4.9
	B	0	0.7
Q215	E	0	0
	C	0	0
	B	0.7	0
Q216	E	0	0
	C	0	0
	B	0.7	0
Q217	E	0	0
	C	0	0
	B	0.7	0

NO MARK : AM (1023KHZ)
 () : FM (98.1MHZ)
 < > : SAT (GMS)
 () : FAX (3622.5KHZ)

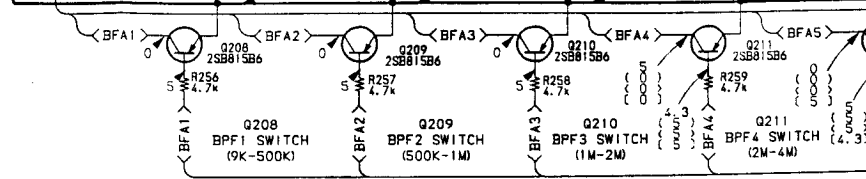
[SIGNAL BOARD (1/3)] (RF)

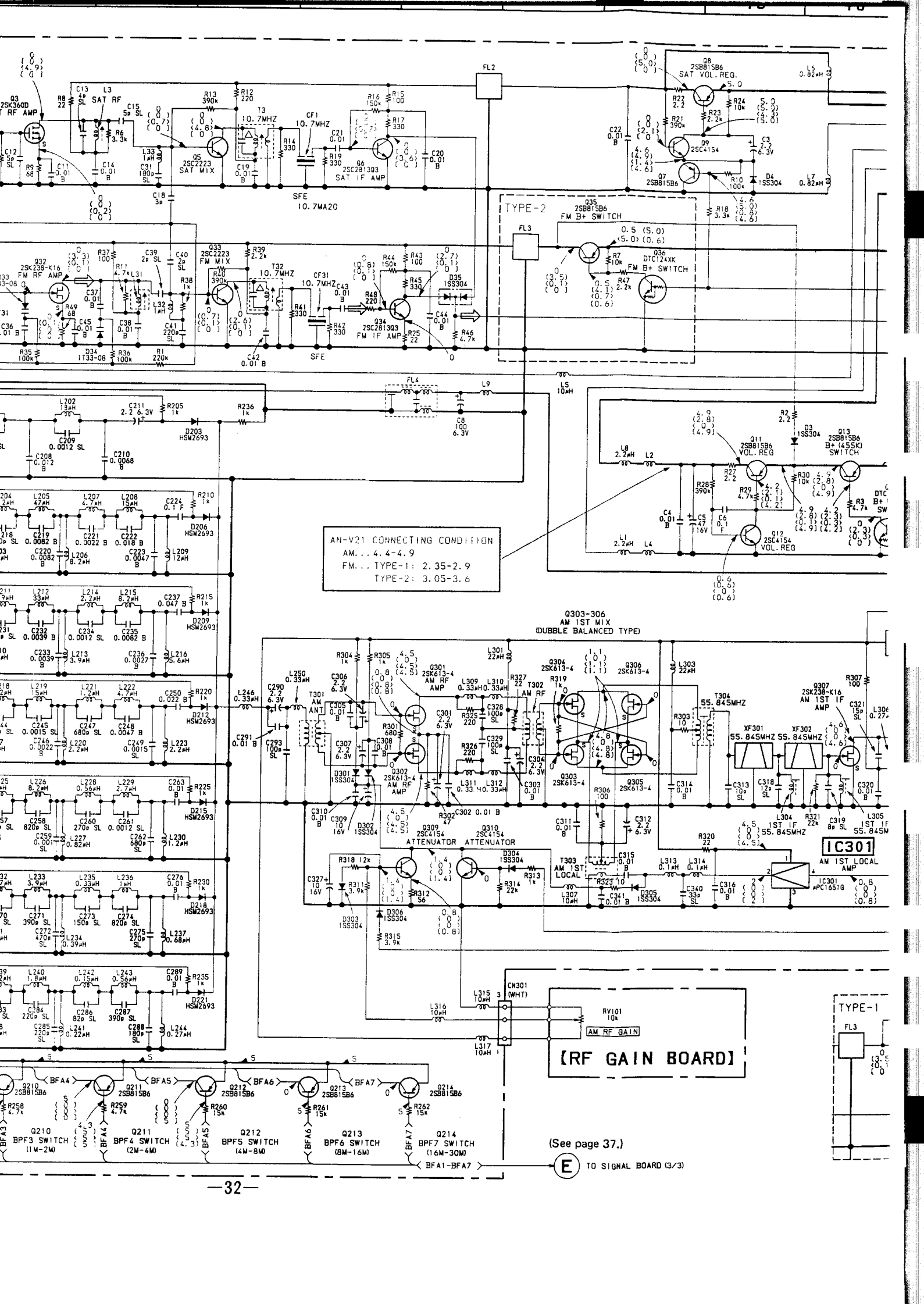


● VOLTAGE VALUE

REF. NO.	FM	SAT	FAX
Q203	E 0 0 0	C 4.9 4.9 4.9	B 0 0 0
Q204	E 0 0 0	C 4.9 4.9 0	B 0 0 0.7
Q215	E 0 0 0	C 0 0 0	B 0.7 0 0
Q216	E 0 0 0	C 0 0 0	B 0.7 0 0
Q217	E 0 0 0	C 0 0 0	B 0.7 0 0

NO MARK : AM (1023KHZ)
 () : FM (98.1MHZ)
 < > : SAT (GMS)
 () : FAX (3622.5KHZ)



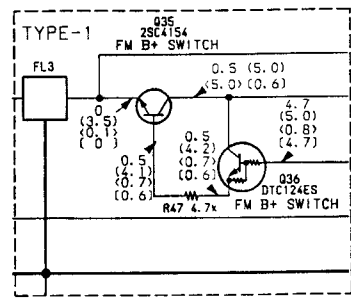
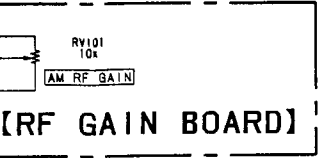
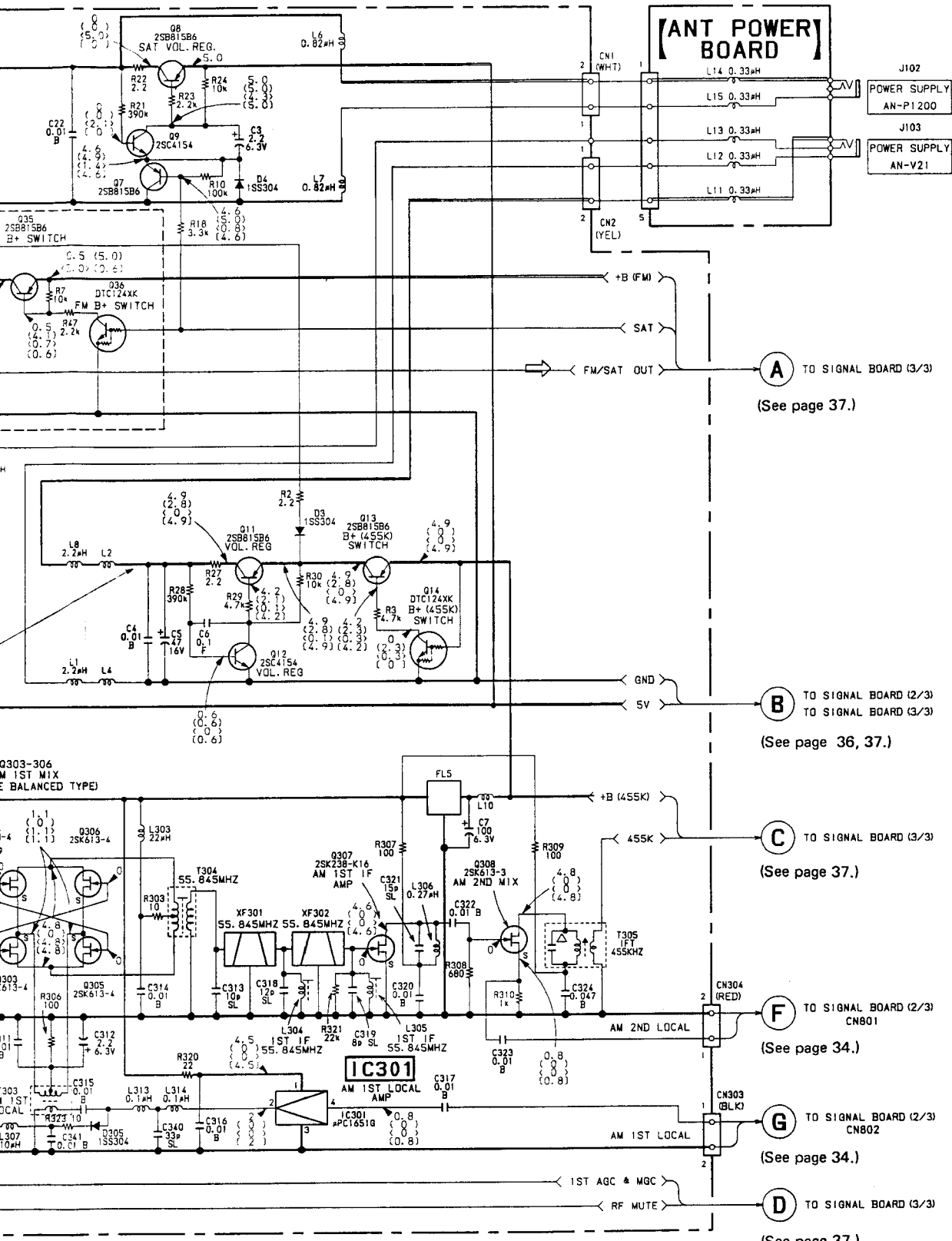


AN-V21 CONNECTING CONDITION
 AM... 4.4-4.9
 FM... TYPE-1: 2.35-2.9
 TYPE-2: 3.05-3.6

Q303-306
 AM 1ST MIX
 (DOUBLE BALANCED TYPE)

[RF GAIN BOARD]

(See page 37.)
 E TO SIGNAL BOARD (3/3)



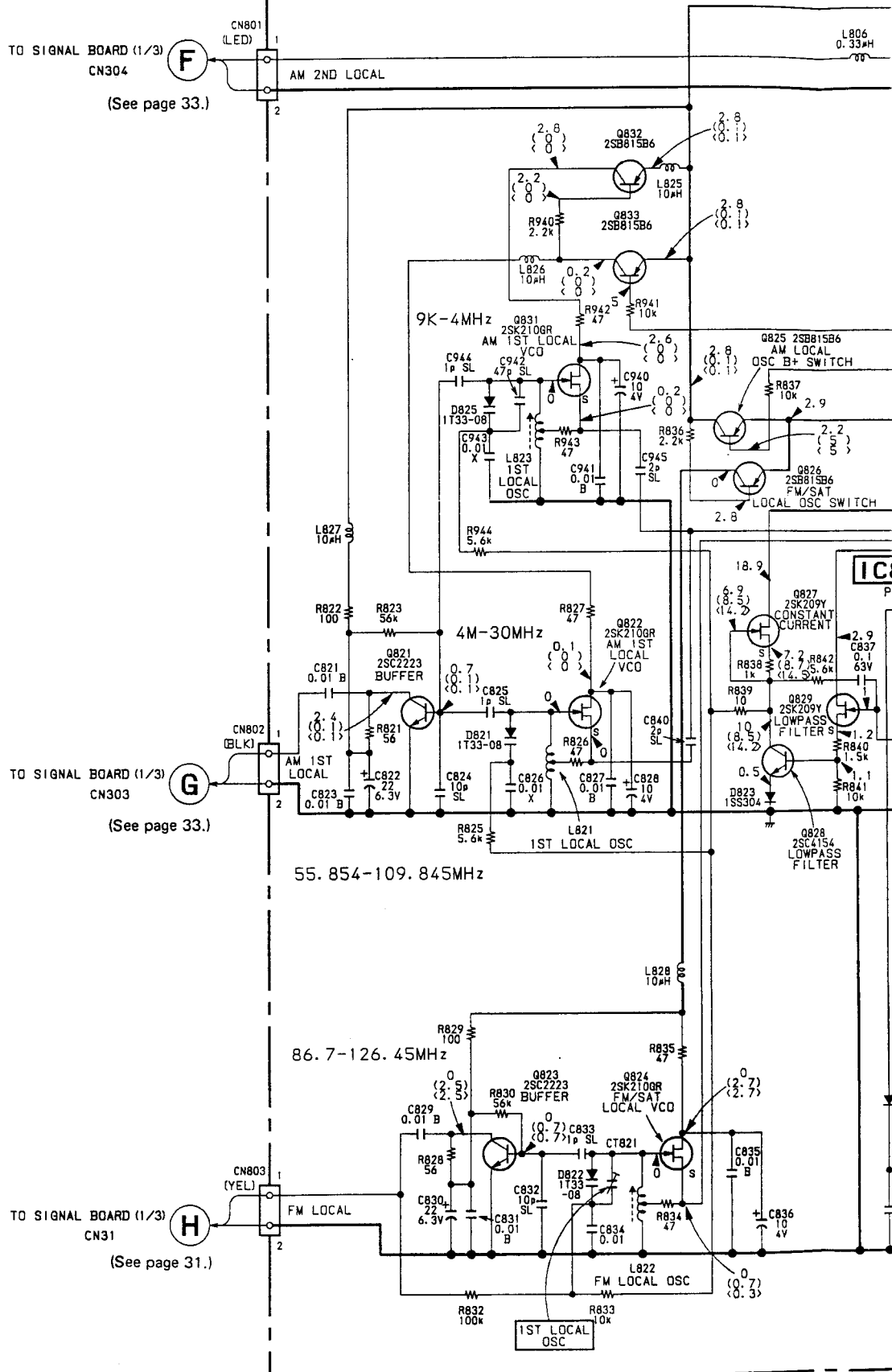
(See page 37.)
E TO SIGNAL BOARD (3/3)

4-10.
SCHEMATIC DIAGRAM
- LOCAL OSC SECTION -

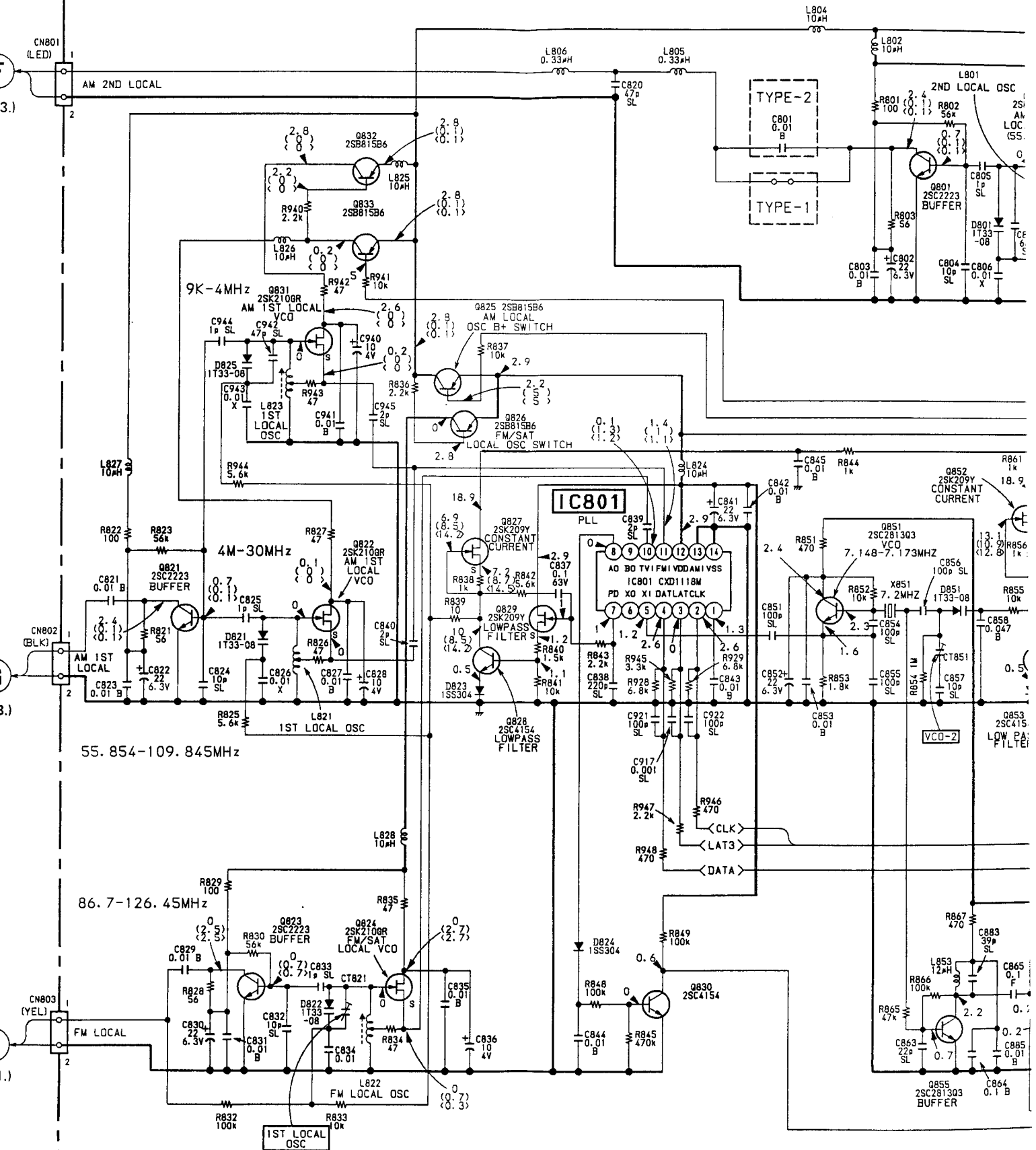
- Refer to page 23 for note.
- Refer to page 69 for IC Block Diagrams.

A
B
C
D
F
G
H
I
J

[SIGNAL BOARD (2/3)]
(LOCAL)

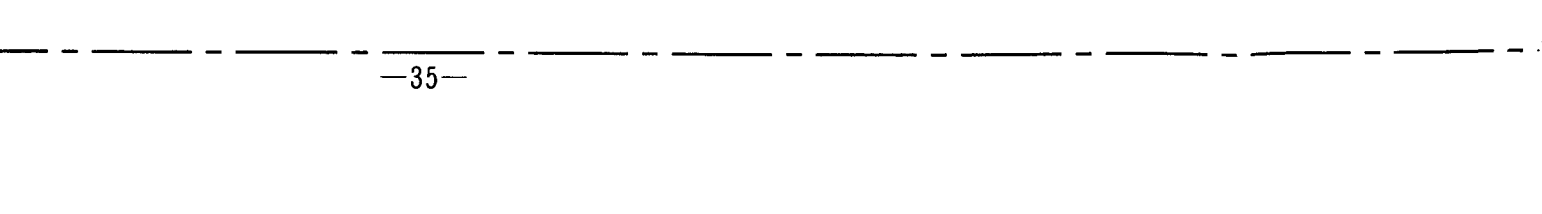
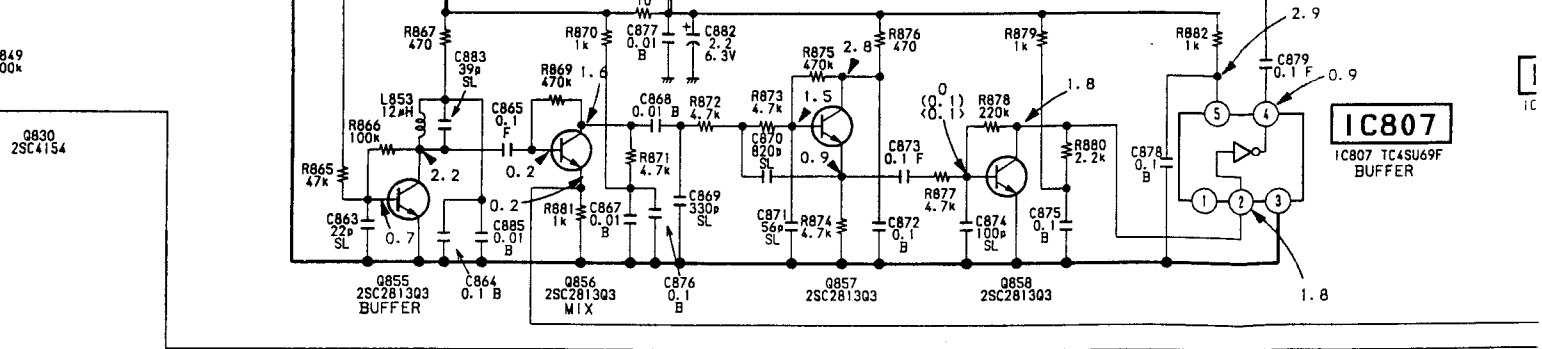
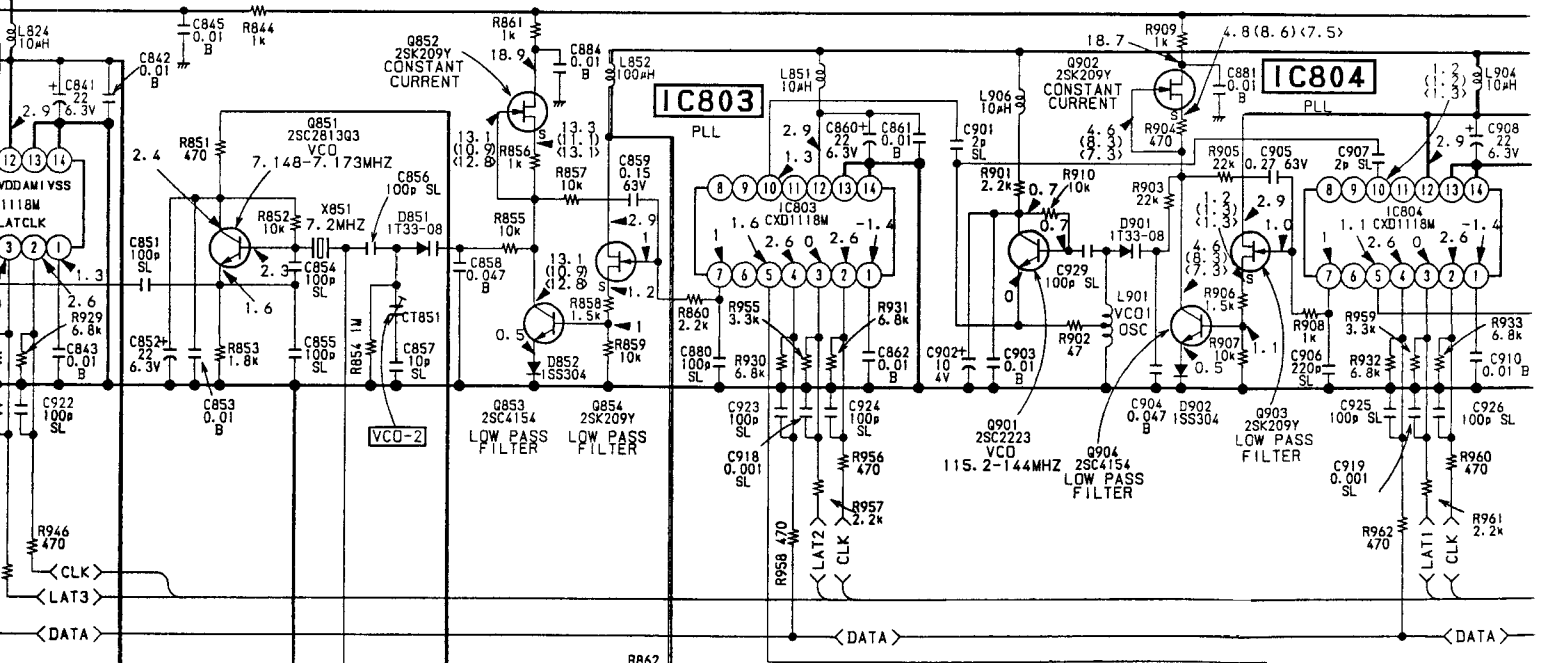
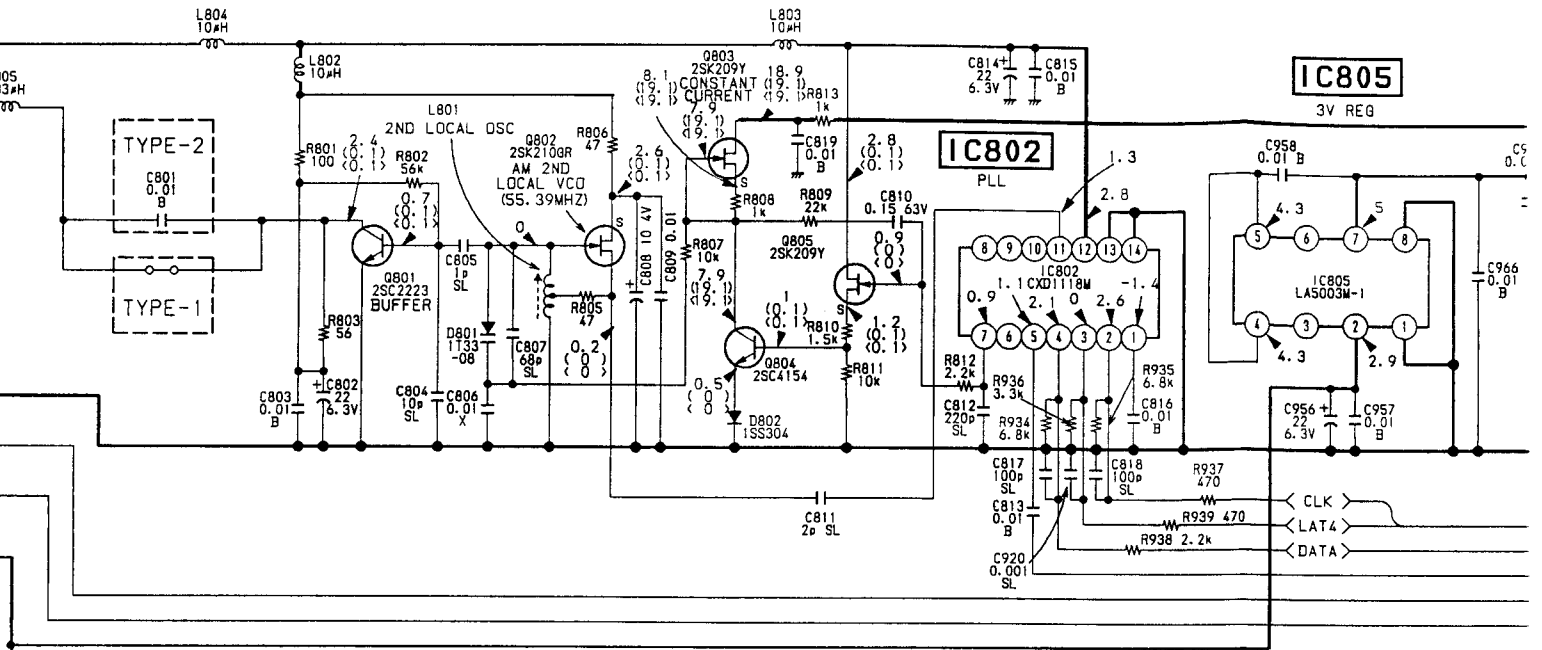


[SIGNAL BOARD (2/3)]
(LOCAL)



IC802

	1	2	3	4	5	6	7	8	9	10	11	12	13	14
FM	0	2.6	0	2.1	0.1	-	0	-	-	-	0.1	0.1	0	0
SAT	0	2.6	0	2.1	0.1	-	0	-	-	-	0.1	0.1	0	0



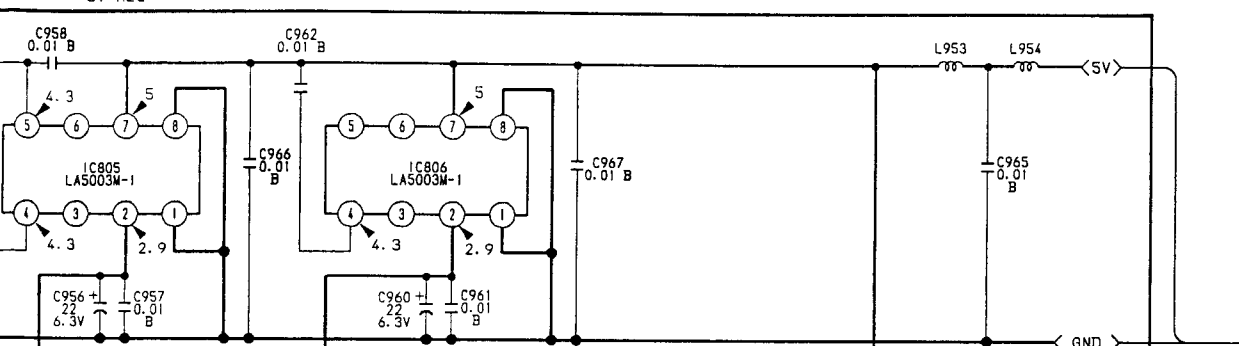
12	13	14
0.	0	0
0.	0	0

IC805

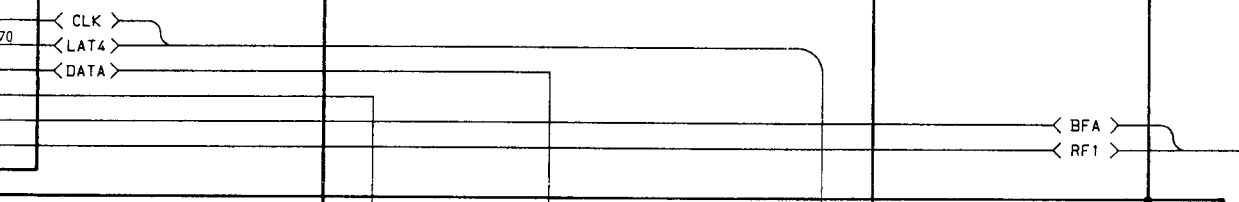
3V REG

IC806

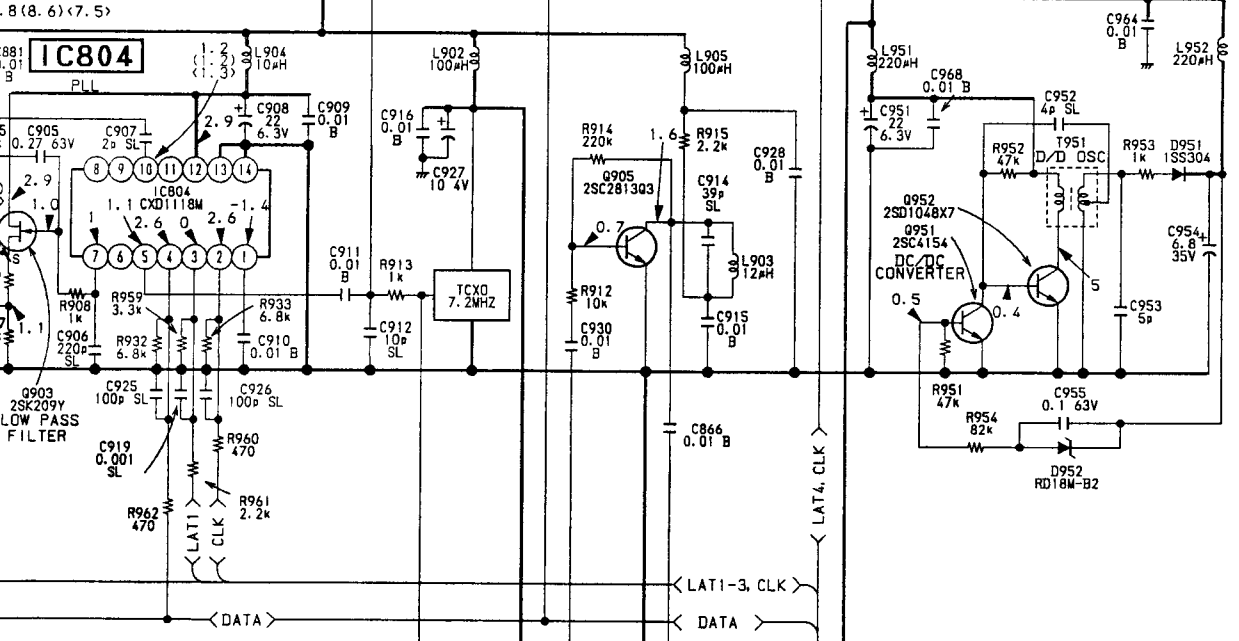
3V REG



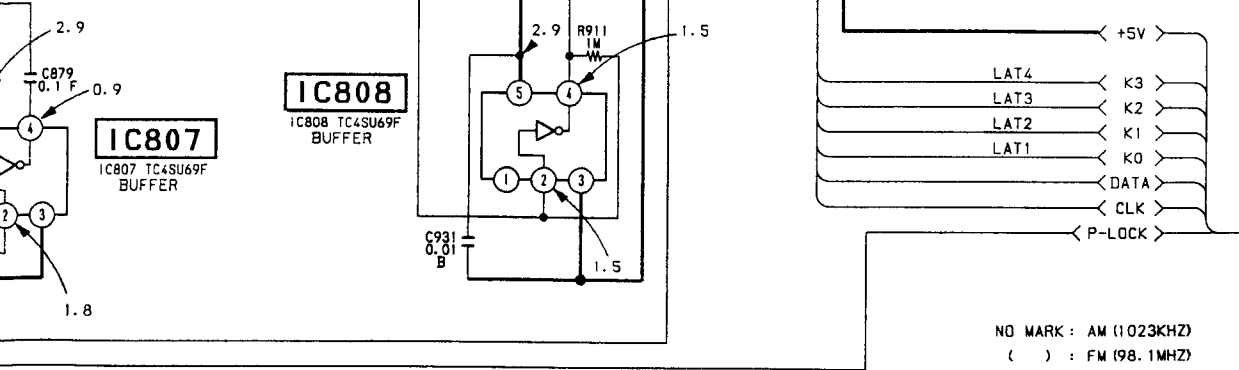
B TO SIGNAL BOARD
(1/3), (3/3)
(See page 33, 37.)



I TO SIGNAL BOARD
(3/3)
(See page 37.)



J TO SIGNAL BOARD
(3/3)
(See page 37.)



NO MARK : AM (1023KHZ)
() : FM (98.1MHZ)
< > : SAT (GMS)

11. SCHEMATIC DIAGRAM
 - SAT DECODER/IF AMP/AF AMP/POWER SUPPLY SECTION -

- Refer to page 23 for note.
- Refer to page 69 for IC Block Diagrams.

1 | 2 | 3 | 4 | 5 | 6 | 7 | 8

● VOLTAGE VALUE

IC704

PIN NO.	FM	SAT	FAX
1	0	0	0
2	-	-	-
3	5	5	0
4	-	-	-
5	-	-	-
6	-	-	-
7	-	-	-
8	-	-	-
9	-	-	-
10	0	0	0
11	-	-	-
12	-	-	-
13	-	-	-
14	-	-	-
15	5	0	5
16	-	-	-
17	-	-	-
18	0	0	0
19	-	-	-
20	0	0	0
21	4.7	4.7	4.7
22	4.7	4.7	4.7
23	0	0	0
24	4.5	4.5	4.5
25	-	-	-
26	5	5	5
27	-	-	-
28	-	-	-
29	0	0	0
30	0	0	0
31	-	-	-
32	5	5	0
33	-	-	-
34	-	-	-
35	0	0	5
36	5	5	0
37	0	0	5
38	5	5	0
39	0	0	5
40	5	5	0
41	5	5	5
42	0	0	0
43	5	5	0
44	0	0	0
45	5	5	0
46	0	5	5
47	0	0	0
48	0	0	5
49	-	-	-
50	5	5	5
51	-	-	-
52	-	-	-
53	0	0	0
54	5	5	5
55	5	5	5
56	5	5	5
57	5	5	5
58	5	5	5
59	5	5	5
60	5	5	0
61	5	5	5
62	5	5	5
63	5	5	5
64	-	-	-

IC401, IC402

PIN NO.	FM	SAT	FAX
1	0	0	0
2	-	-	-
3	0	0	2.4
4	-	-	-
5	0	0	2.4
6	0	0	0
7	0	0	0
8	0	0	0
9	0	0	4.9
10	0	0	0
11	0	0.6	4.9
12	0	0	0
13	0	0	0
14	0	0	0
15	0	0	0
16	0	0	4.9

IC403

PIN NO.	FM	SAT	FAX
1	0	0	2.5
2	0.7	0.7	0
3	0	0	0
4	1.4	1.4	0.1
5	1.9	1.9	0.1
6	2.9	2.9	0.6
7	4	4	3.8
8	1.9	1.9	0.1
9	0	0	0
10	1.1	1.1	0.7
11	0.6	0.6	0.6
12	0.2	0.2	4
13	0.6	0.6	0.5
14	0	0	0
15	0.2	0.2	4
16	0.6	0.6	0.6

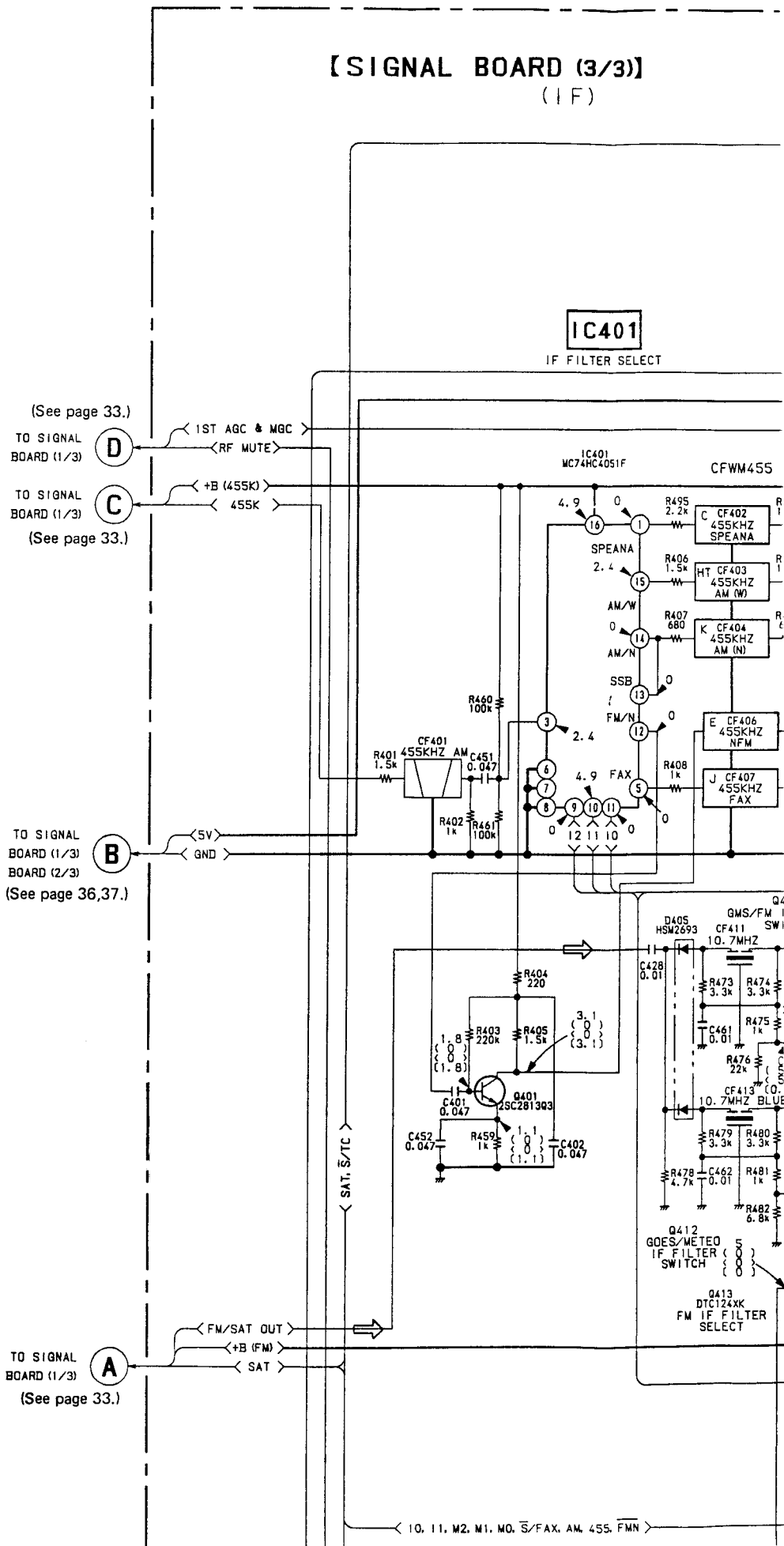
IC601

PIN NO.	FM	SAT	FAX
1	0	0	2.3
2	0	0	2.3
3	0	0	2.1
4	0	0	0
5	2.5	2.5	2.5
6	0	0	2.5
7	0	0	2.5
8	0	0	4.6

IC602

PIN NO.	FM	SAT	FAX
1	0	0	2.2
2	0	0	2.2
3	0	0	2.2
4	0	0	0
5	0	0	2.0
6	0	0	2.2
7	0	0	2.2
8	0	0	4.4

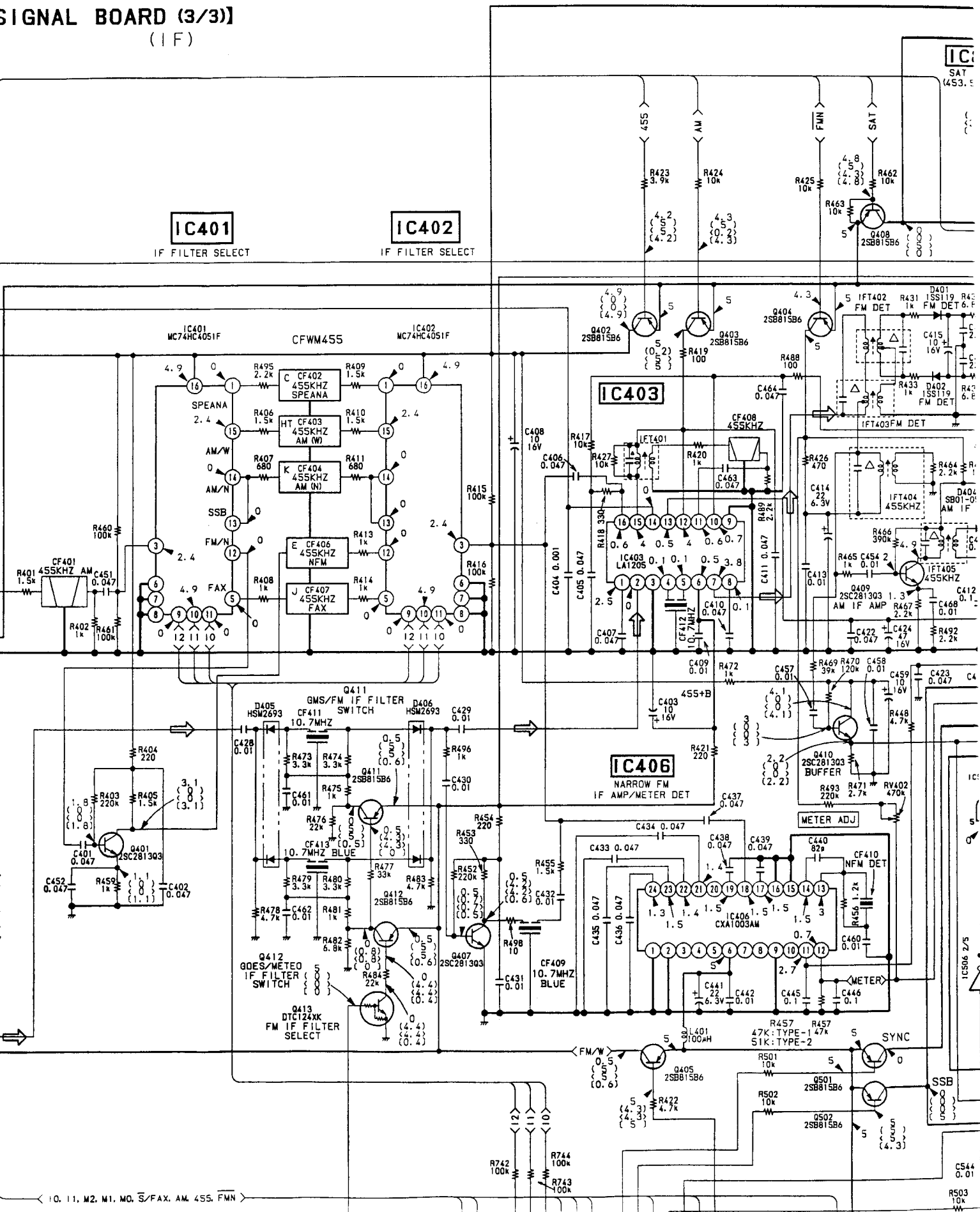
[SIGNAL BOARD (3/3)]
(IF)

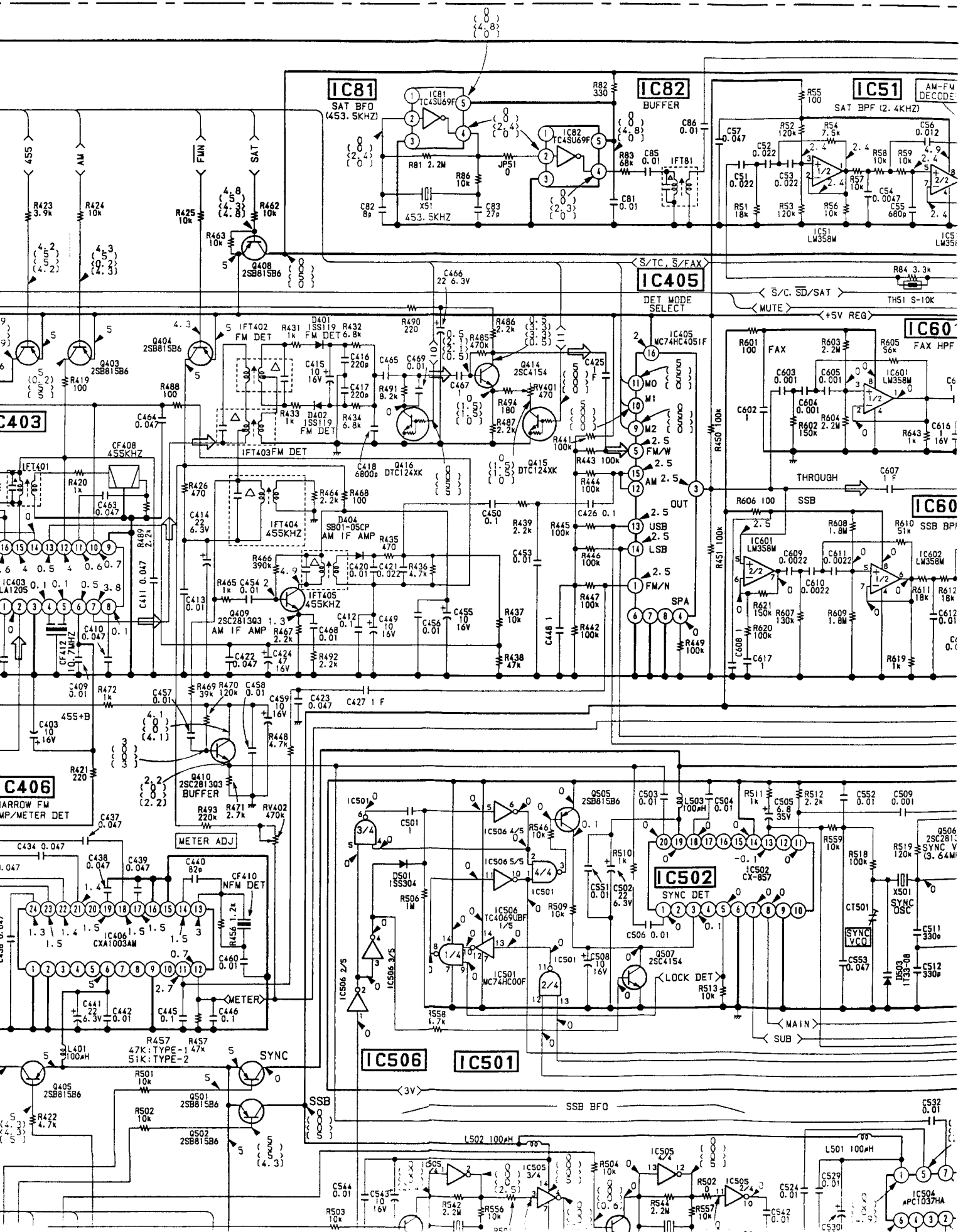


3 for note.
9 for IC Block Diagrams.

6 | 7 | 8 | 9 | 10 | 11 | 12 | 13

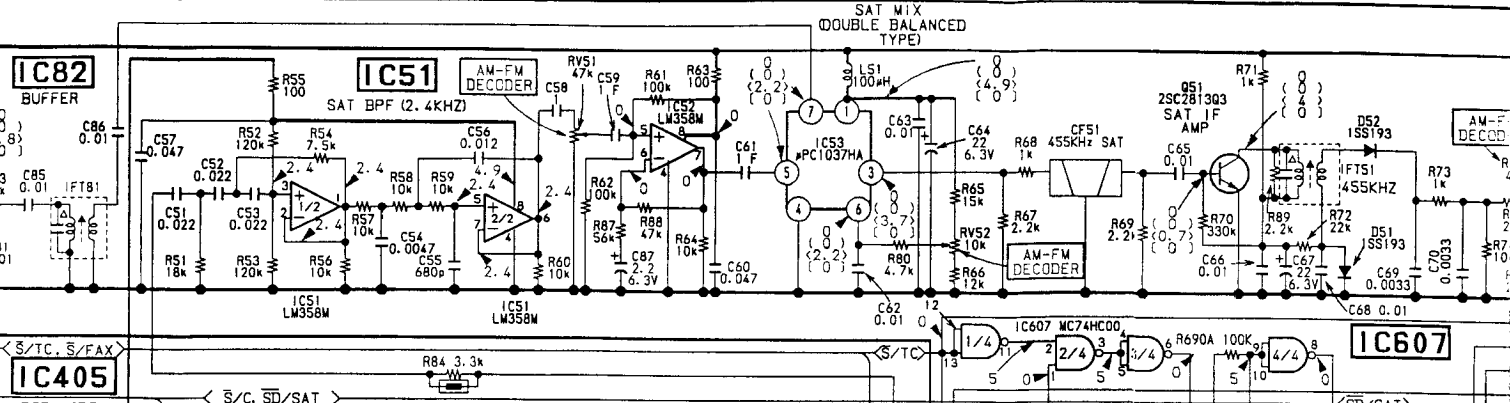
SIGNAL BOARD (3/3)
(IF)





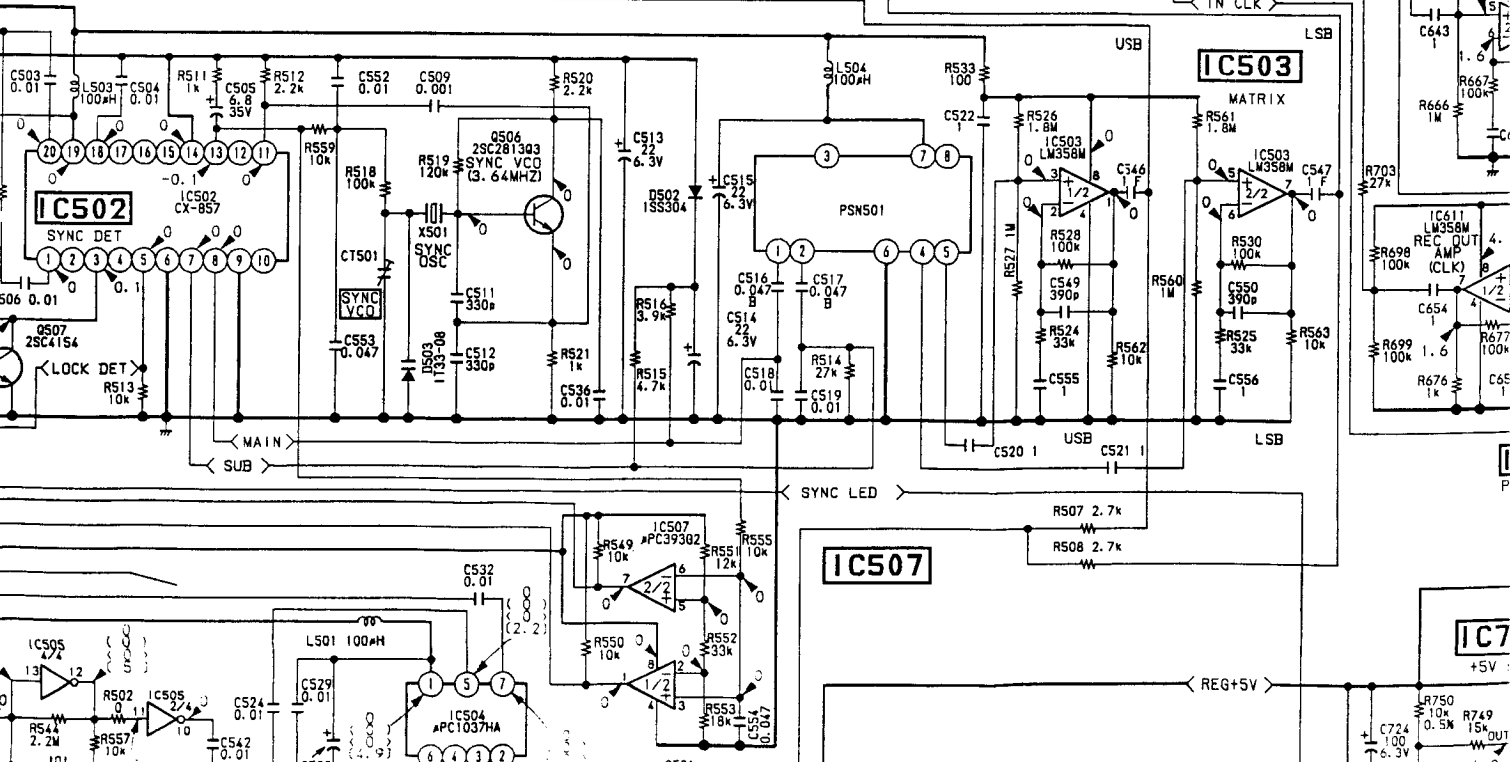
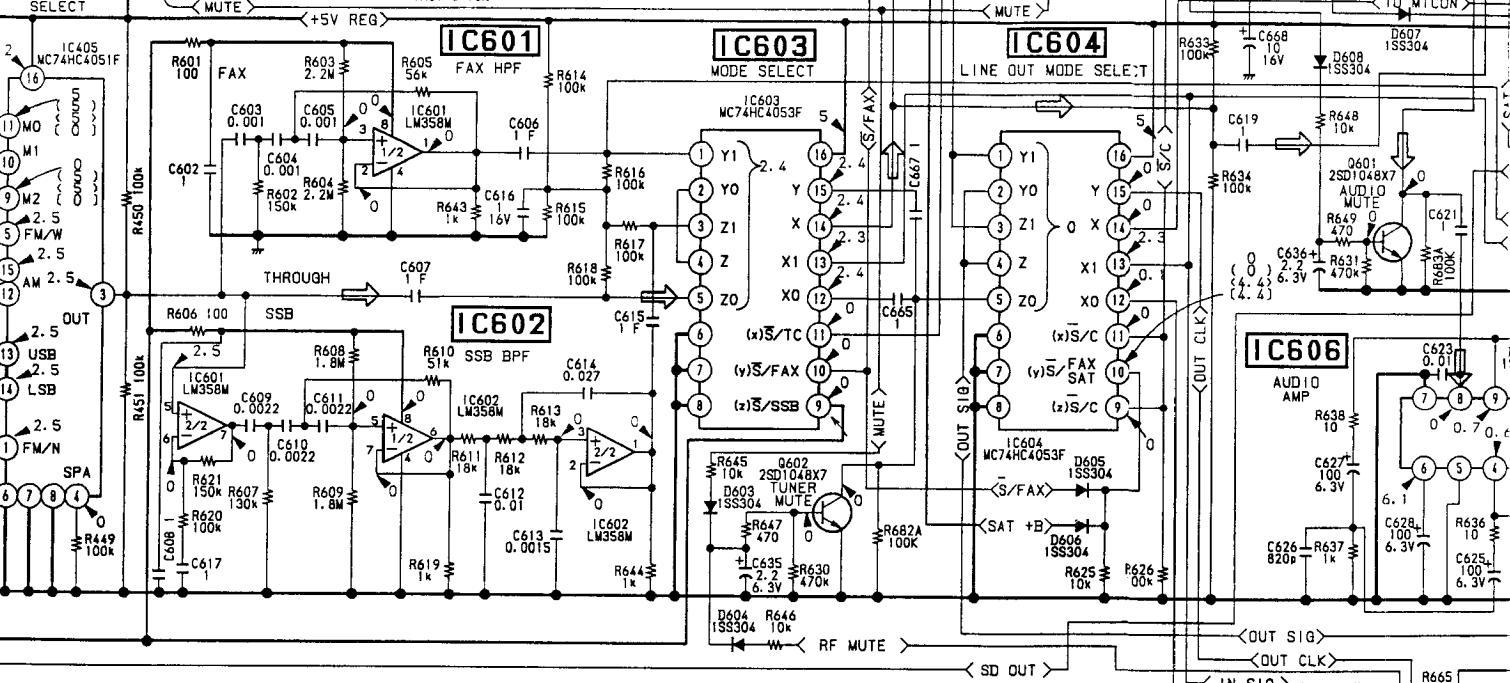
IC52

IC53



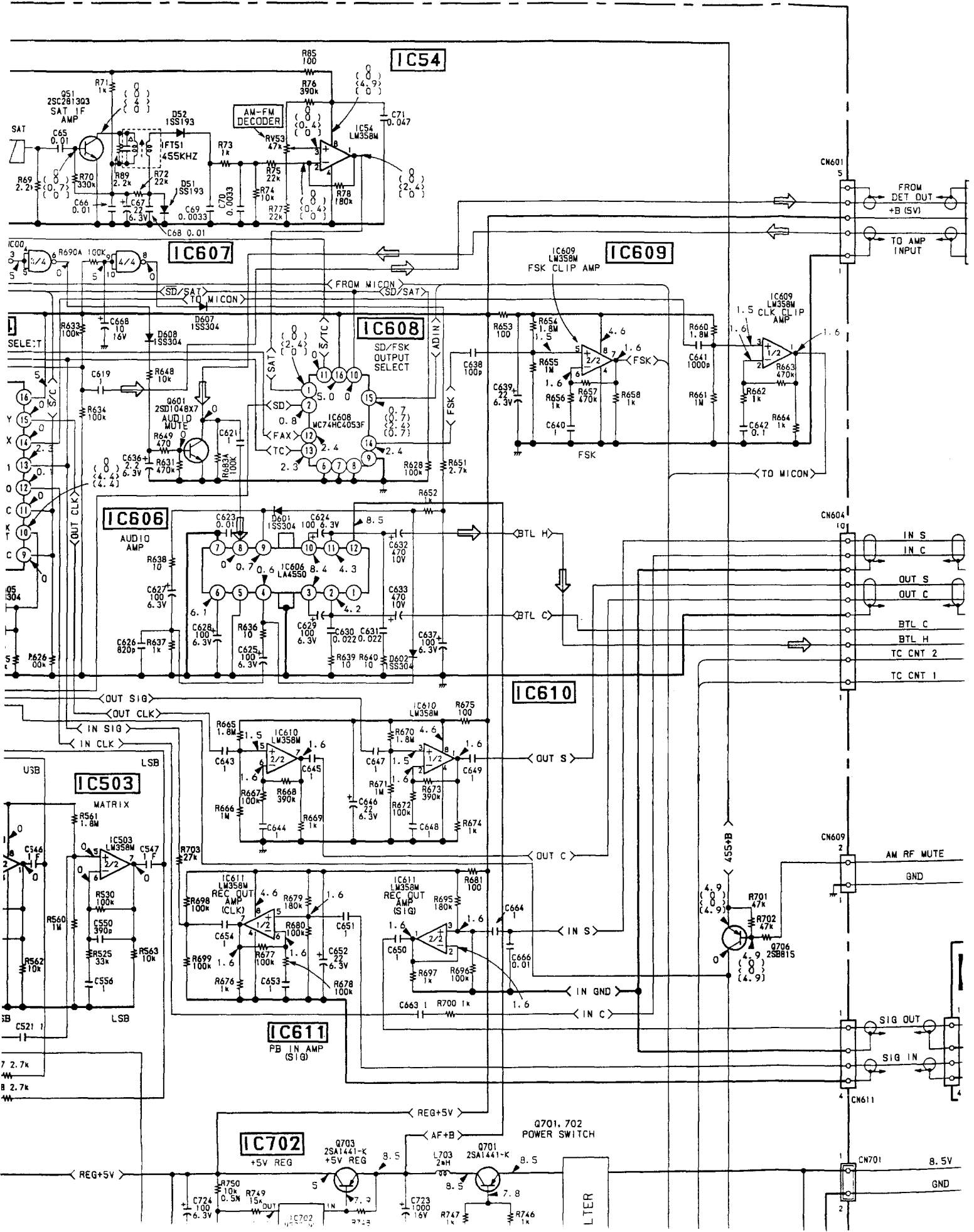
IC405

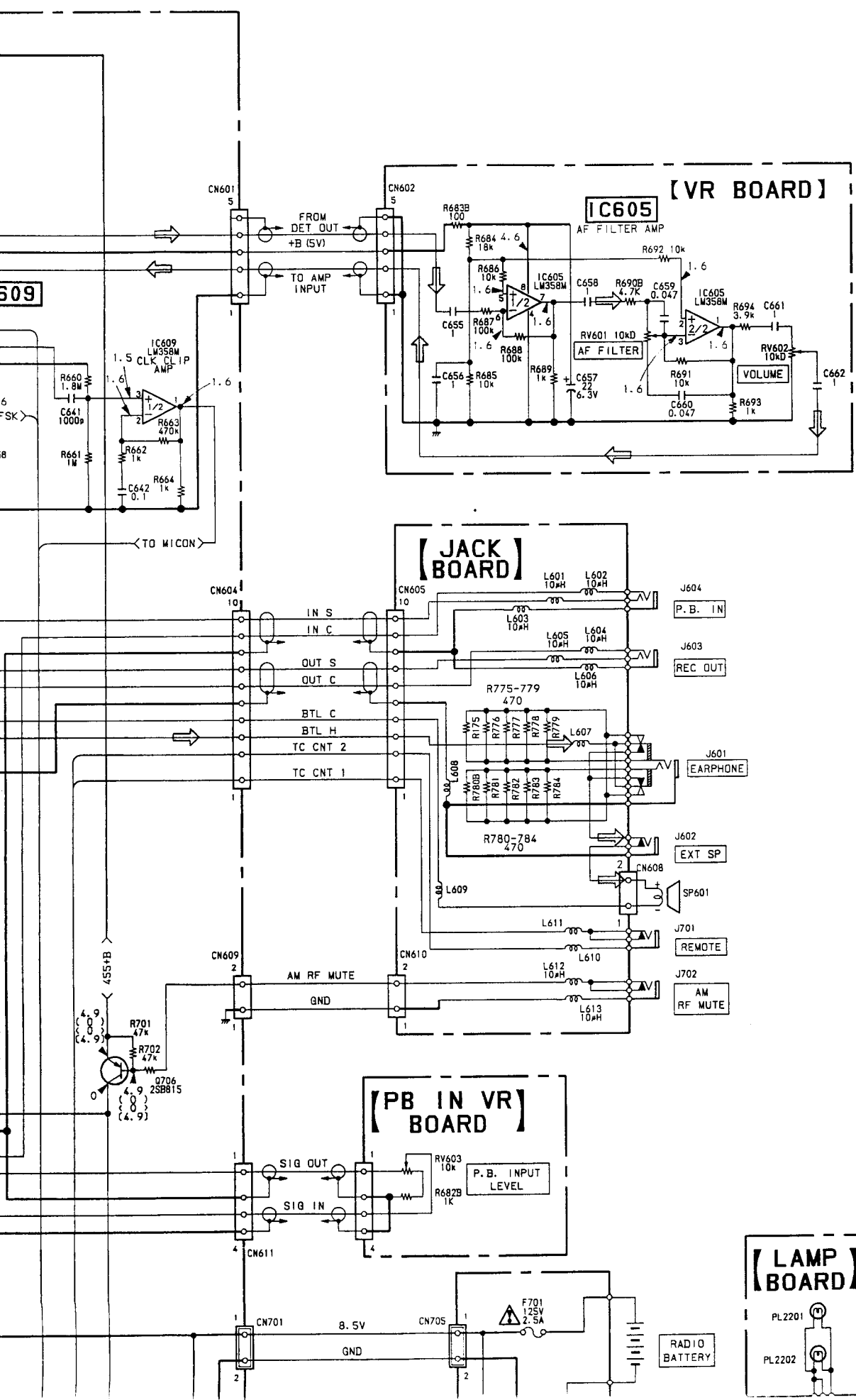
IC607



IC7

+5V





VOLTAGE VALUE
IC52

PIN NG.	FM	SAT	FAX
1	-	-	-
2	-	-	-
3	-	-	-
4	0	0	0
5	0	2.4	0
6	0	2.4	0
7	0	2.4	0
8	0	4.8	0

IC603

PIN NG.	FM	SAT	FAX
1	2.4	2.4	2.4
2	2.4	2.4	2.4
3	2.4	2.4	2.4
4	2.4	2.4	2.4
5	2.4	2.4	2.4
6	0	0	0
7	0	0	0
8	0	0	0
9	0	0	5
10	0	0	5
11	0	0	5
12	2.4	2.4	2.4
13	2.3	2.3	2.3
14	2.4	2.4	2.4
15	2.4	2.4	2.4
16	5	5	5

A
B
C
D
E
F
G
H
I
J

E
F
G
H
I
J
K
L
M
N
O

30	0	0	0
31	-	-	-
32	5	5	0
33	-	-	-
34	-	-	-
35	0	0	5
36	5	5	0
37	0	0	5
38	5	5	0
39	0	0	5
40	5	5	0
41	5	5	5
42	0	0	0
43	5	5	0
44	0	0	0
45	5	5	0
46	0	5	5
47	0	0	0
48	0	0	5
49	-	-	-
50	5	5	5
51	-	-	-
52	-	-	-
53	0	0	0
54	5	5	5
55	5	5	5
56	5	5	5
57	5	5	5
58	5	5	5
59	5	5	5
60	5	5	0
61	5	5	5
62	5	5	5
63	5	5	5
64	-	-	-

9	0	0	0
10	1.1	1.1	0.7
11	0.6	0.6	0.6
12	0.2	0.2	4
13	0.6	0.6	0.5
14	0	0	0
15	0.2	0.2	4
16	0.6	0.6	0.6

IC601

PIN NO.	FM	SAT	FAX
1	0	0	2.3
2	0	0	2.3
3	0	0	2.1
4	0	0	0
5	2.5	2.5	2.5
6	0	0	2.5
7	0	0	2.5
8	0	0	4.6

IC602

PIN NO.	FM	SAT	FAX
1	0	0	2.2
2	0	0	2.2
3	0	0	2.2
4	0	0	0
5	0	0	2.0
6	0	0	2.2
7	0	0	2.2
8	0	0	4.4

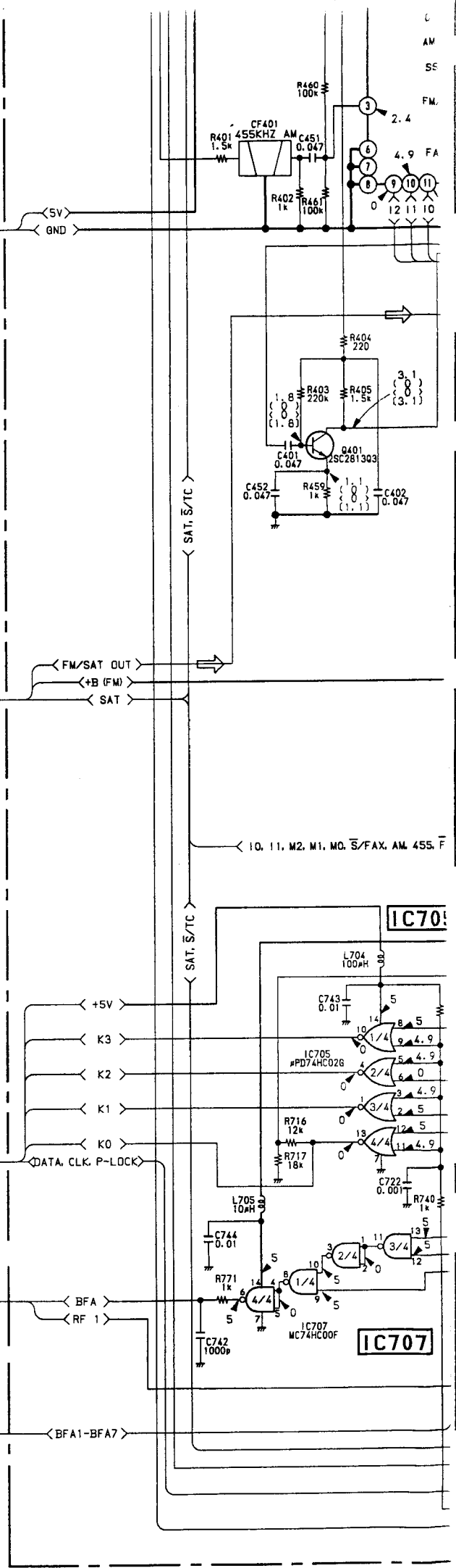
TO SIGNAL BOARD (1/3) BOARD (2/3) (See page 36,37.)

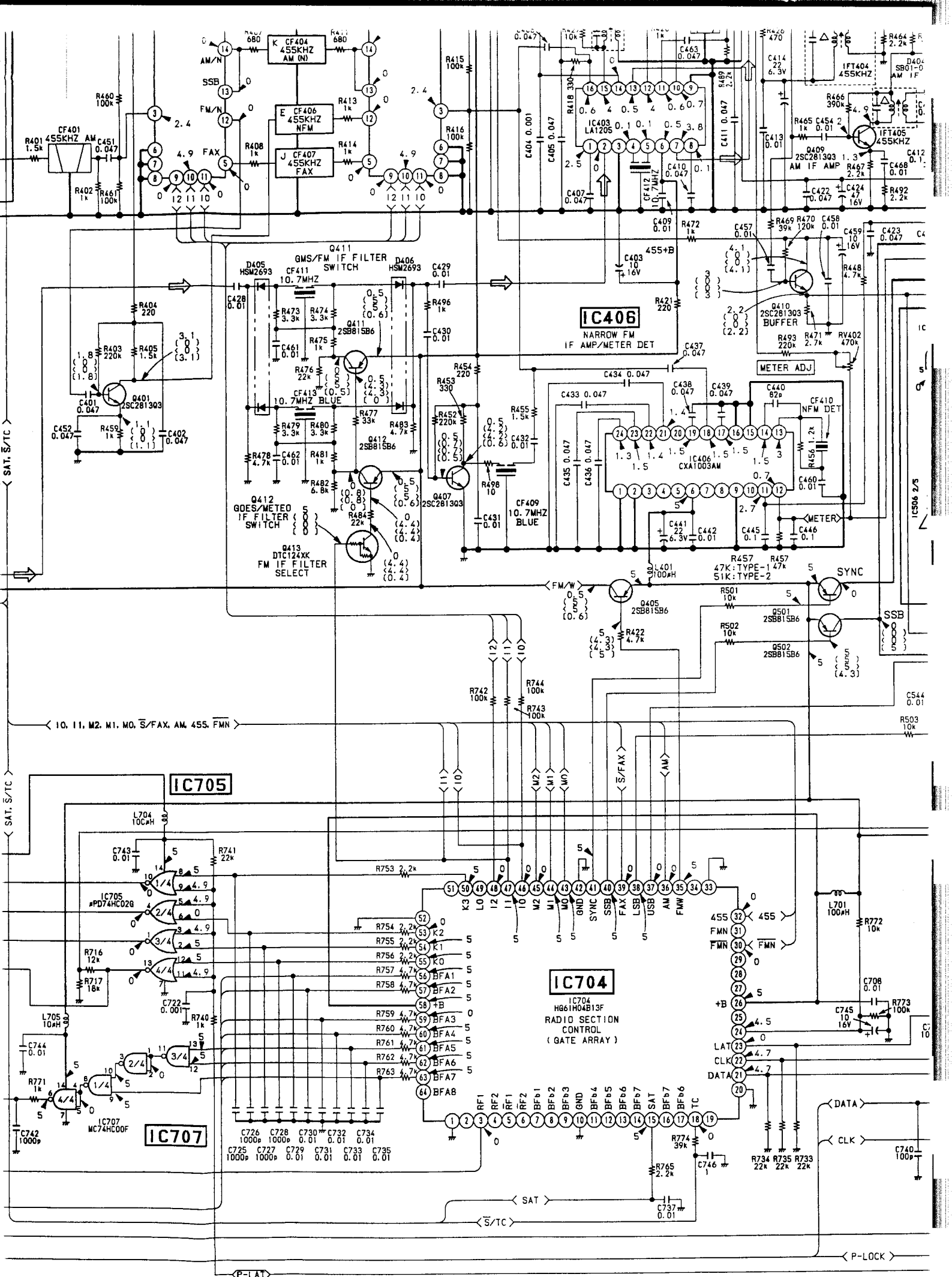
TO SIGNAL BOARD (1/3) (See page 33.)

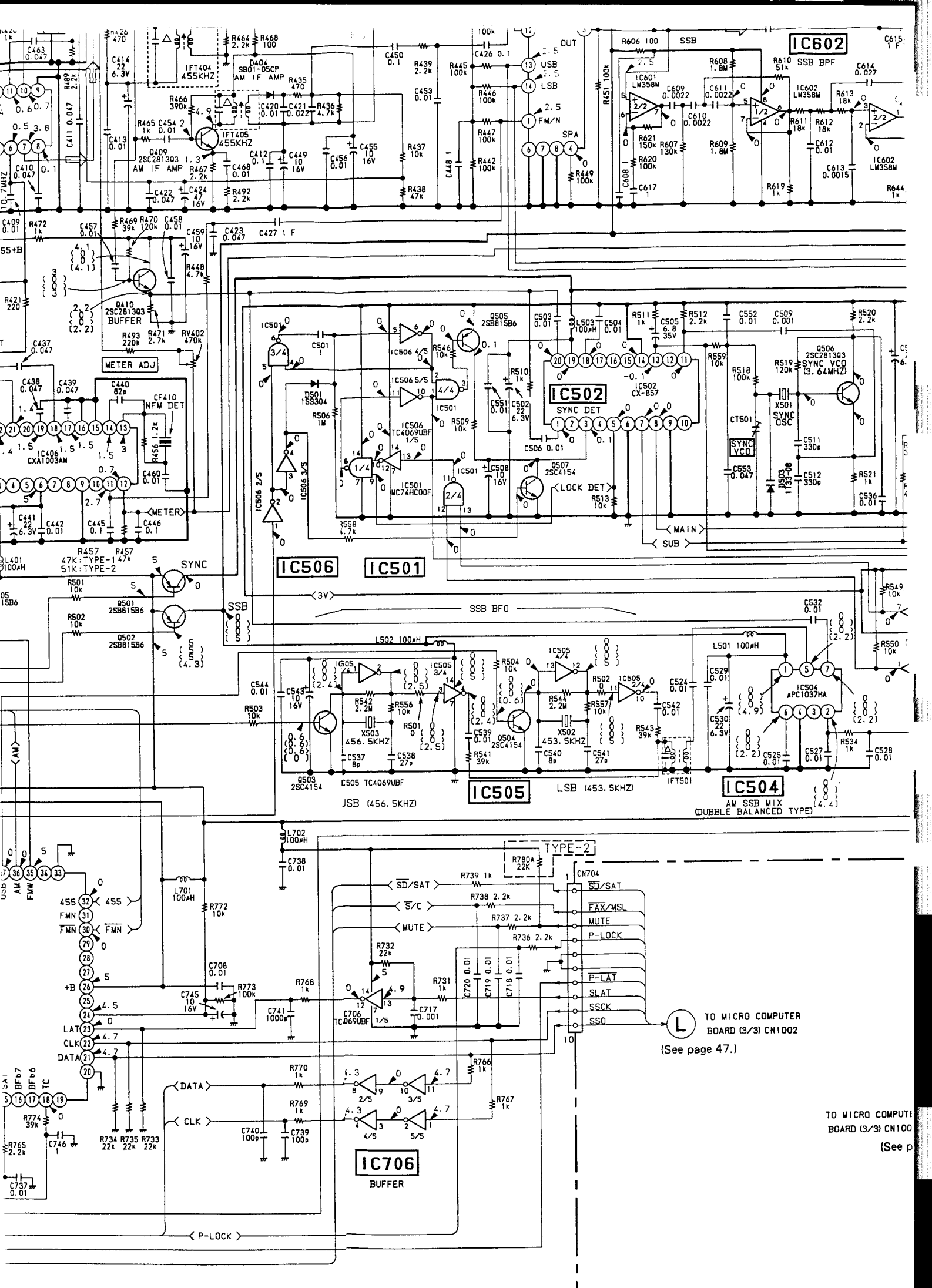
TO SIGNAL BOARD (2/3) (See page 36.)

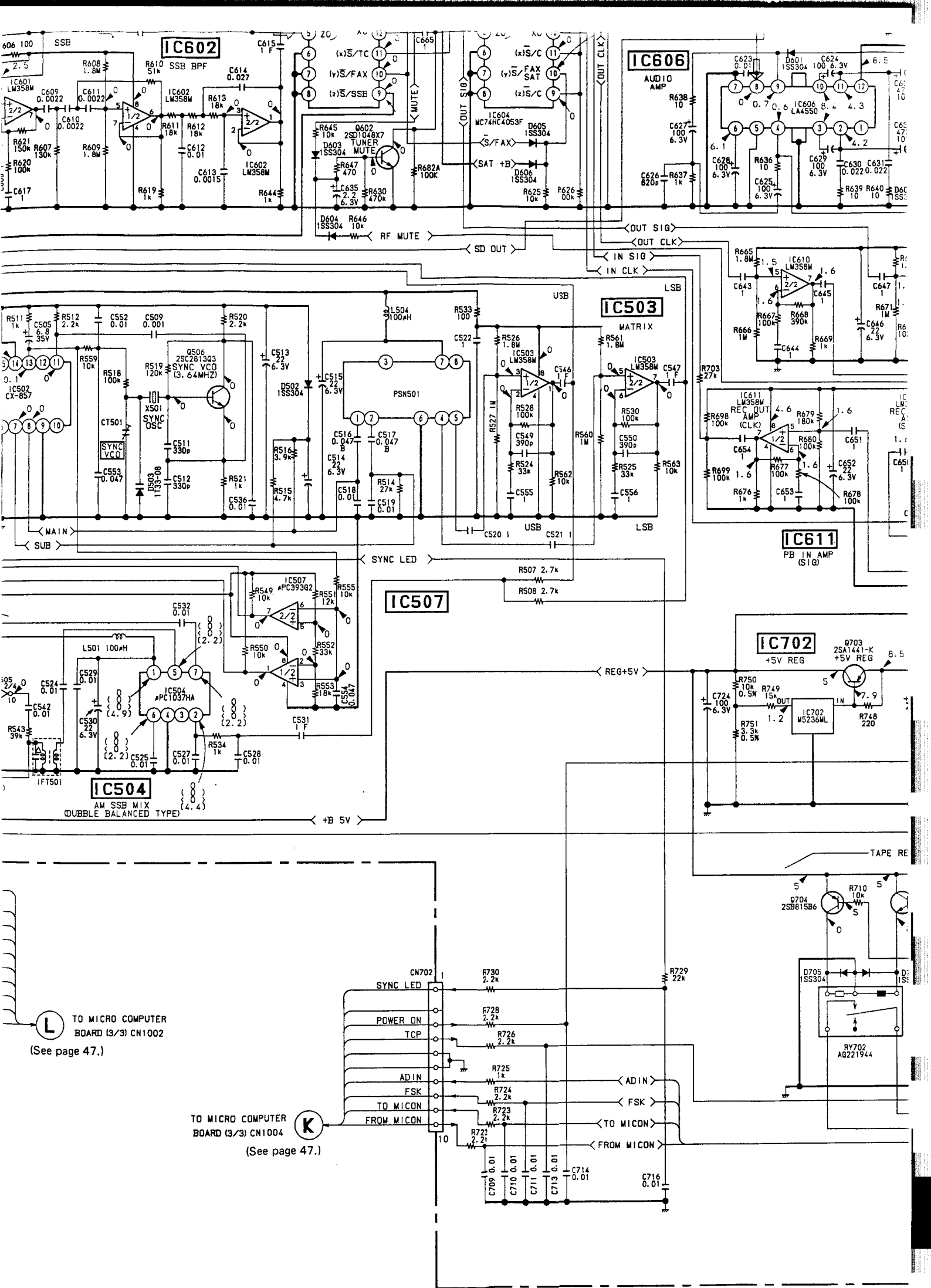
TO SIGNAL BOARD (2/3) (See page 36.)

TO SIGNAL BOARD (1/3) (See page 32.)









IC602

IC606

IC503

IC507

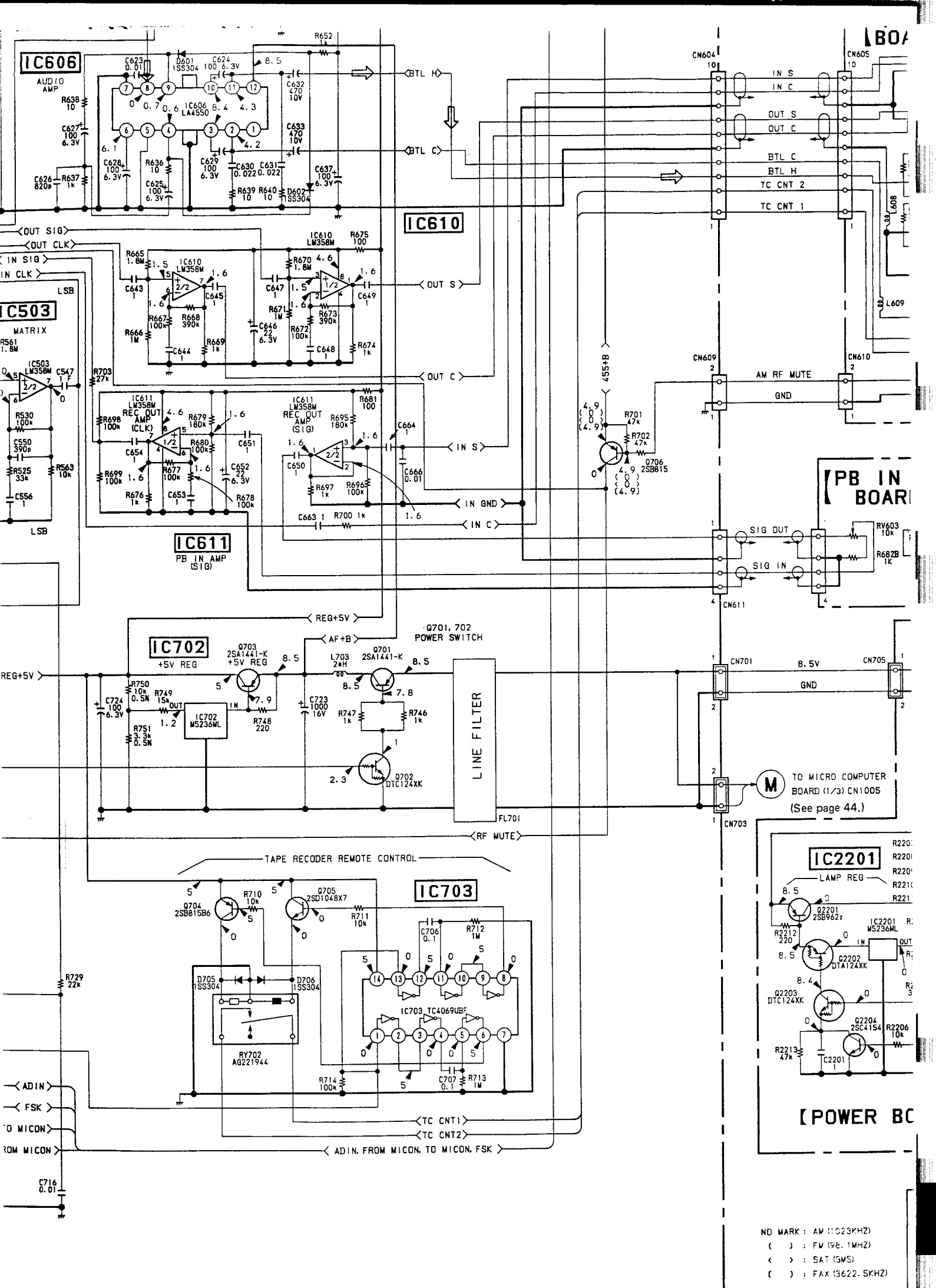
IC702

IC504

IC611

TO MICRO COMPUTER BOARD (3/3) CN1002
(See page 47.)

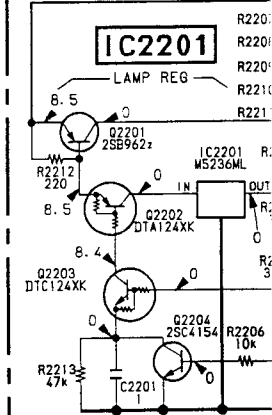
TO MICRO COMPUTER BOARD (3/3) CN1004
(See page 47.)



BOA

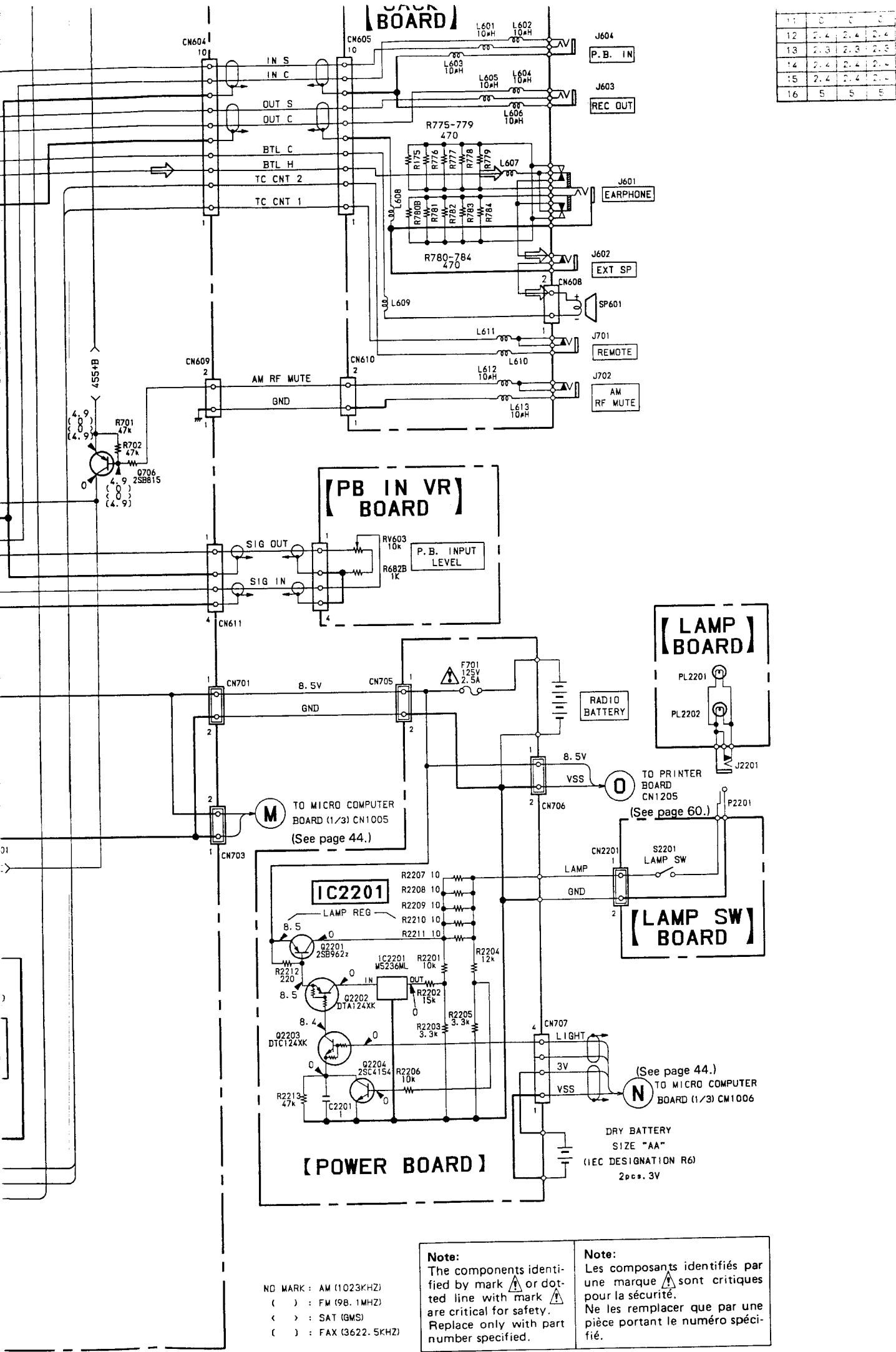
PB IN BOARD

POWER BOARD



- NO MARK : AM (1023KHZ)
- () : FM (96.1MHZ)
- () : SAT (GWS)
- () : FAX (3622.5KHZ)

11	0	0	0
12	2.4	2.4	2.4
13	2.3	2.3	2.3
14	2.4	2.4	2.4
15	2.4	2.4	2.4
16	5	5	5



E
F
G
H
I
J
K
L
M
N
O

ND MARK : AM (1023KHZ)
 () : FM (98.1MHZ)
 < > : SAT (GMS)
 () : FAX (3622.5KHZ)

Note:
 The components identified by mark Δ or dotted line with mark Δ are critical for safety. Replace only with part number specified.

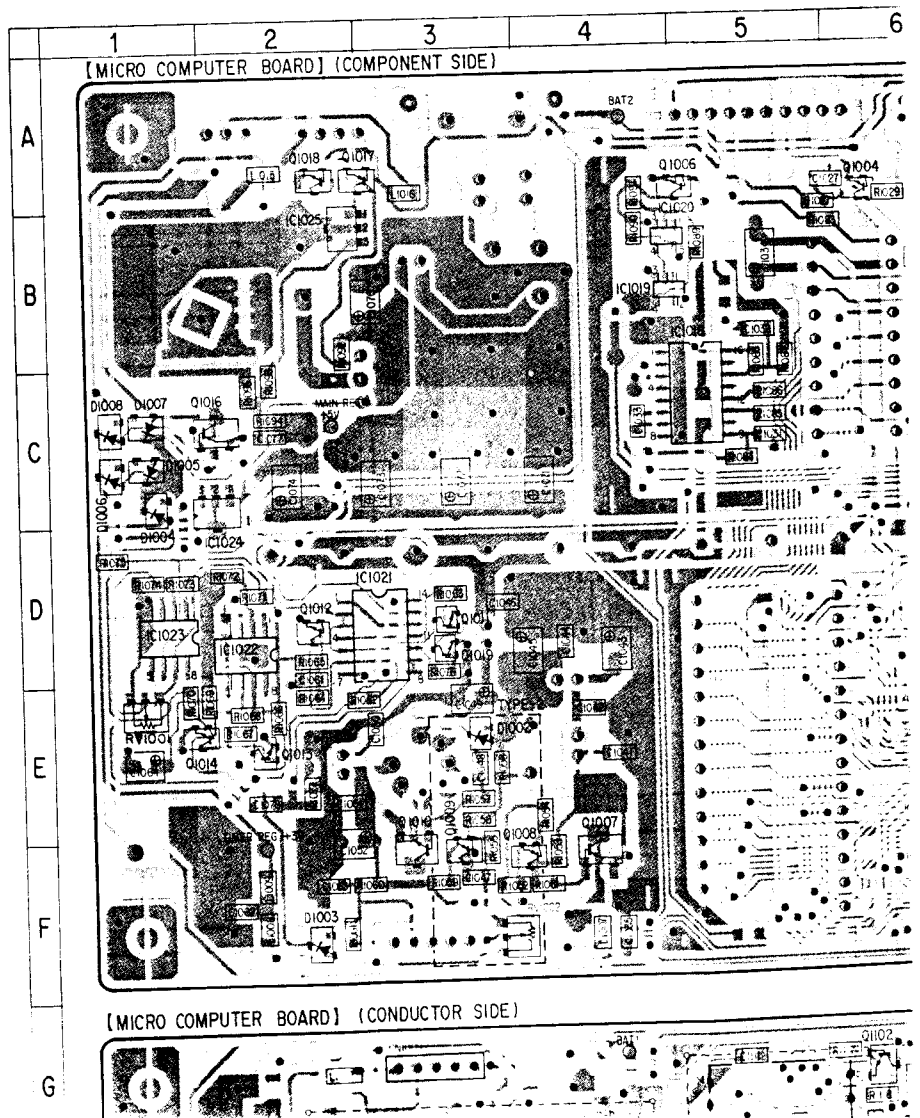
Note:
 Les composants identifiés par une marque Δ sont critiques pour la sécurité. Ne les remplacer que par une pièce portant le numéro spécifié.

4-12. PRINTED WIRING BOARDS
 - MICRO COMPUTER SECTION -

- Refer to DESTINATION CODE on page 4 for R1124 mounting location.
- Refer to page 19 for note.
- Refer to page 17 for Semiconductor Lead Layouts.

• Semiconductor Location

Ref. No.	Location	Ref. No.	Location
D1001	D-8	IC1022	D-2
D1002	E-3	IC1023	D-1
D1003	F-2	IC1024	C-2
D1004	C-1	IC1025	B-2
D1005	C-1	IC1101	H-7
D1006	C-1	IC1102	H-9
D1007	C-1	IC1103	H-12
D1008	C-1	IC1104	K-12
D1009	K-2		
IC1001	E-13	Q1001	A-12
IC1002	E-11	Q1002	C-11
IC1003	K-14	Q1003	B-9
IC1004	C-13	Q1004	A-6
IC1005	B-13	Q1005	B-6
IC1006	B-12	Q1006	A-4
IC1007	B-10	Q1007	F-4
IC1008	C-10	Q1008	F-3
IC1009	C-10	Q1009	F-3

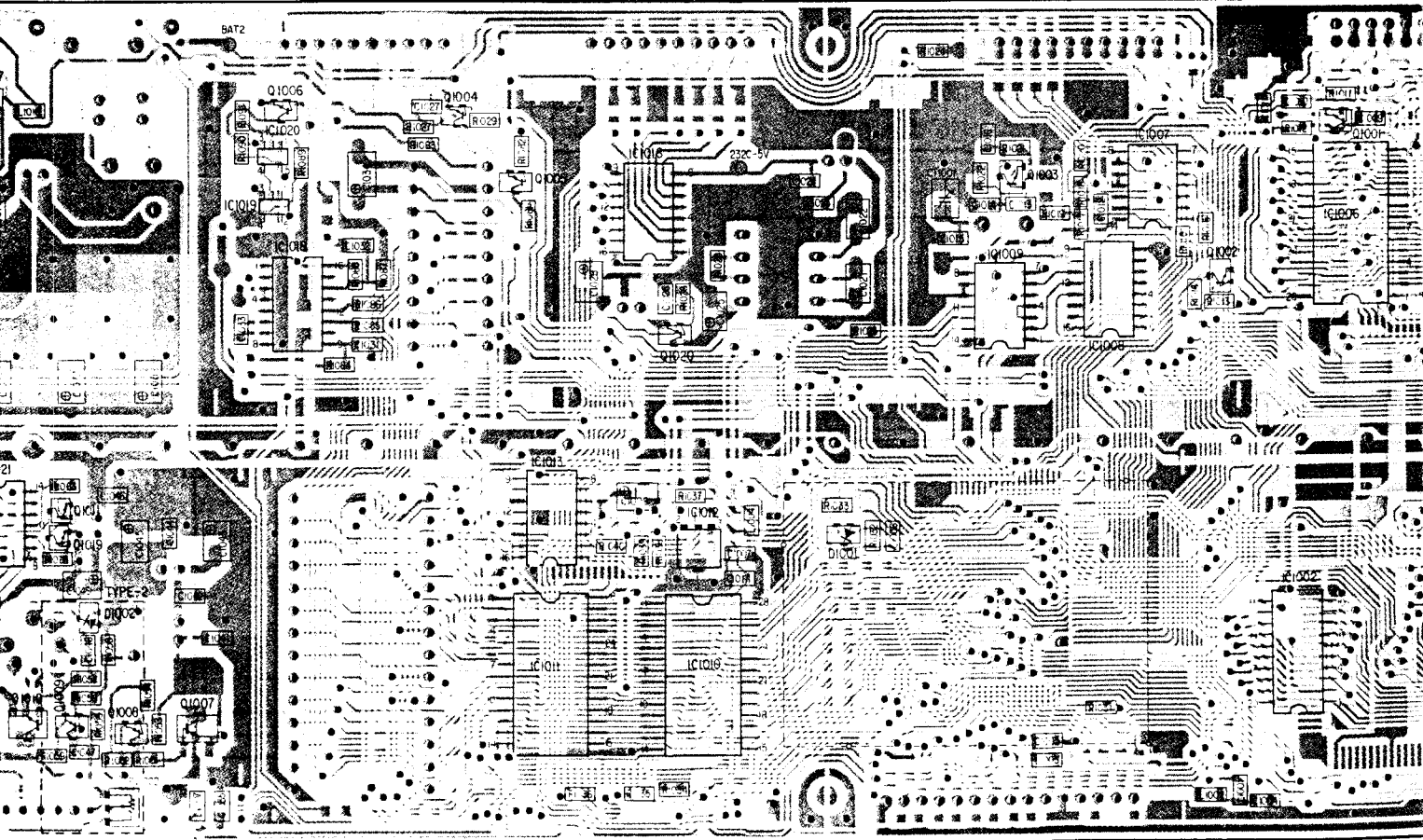


on page 4 for R1124 mounting location.

for Lead Layouts.

3	4	5	6	7	8	9	10	11	12
---	---	---	---	---	---	---	----	----	----

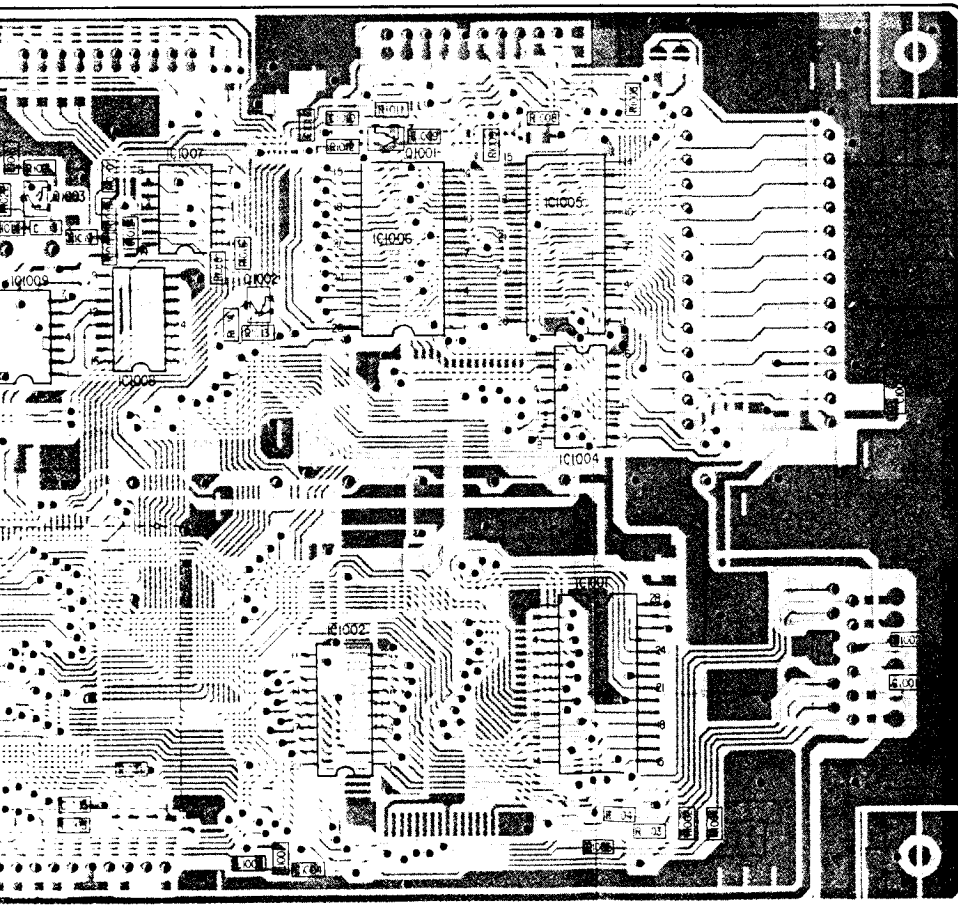
(COMPONENT SIDE)



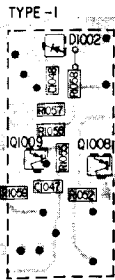
(DUCTOR SIDE)



10 11 12 13 14 15 16 17



12



4-13. SC

A

B

TO PC

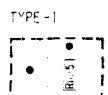
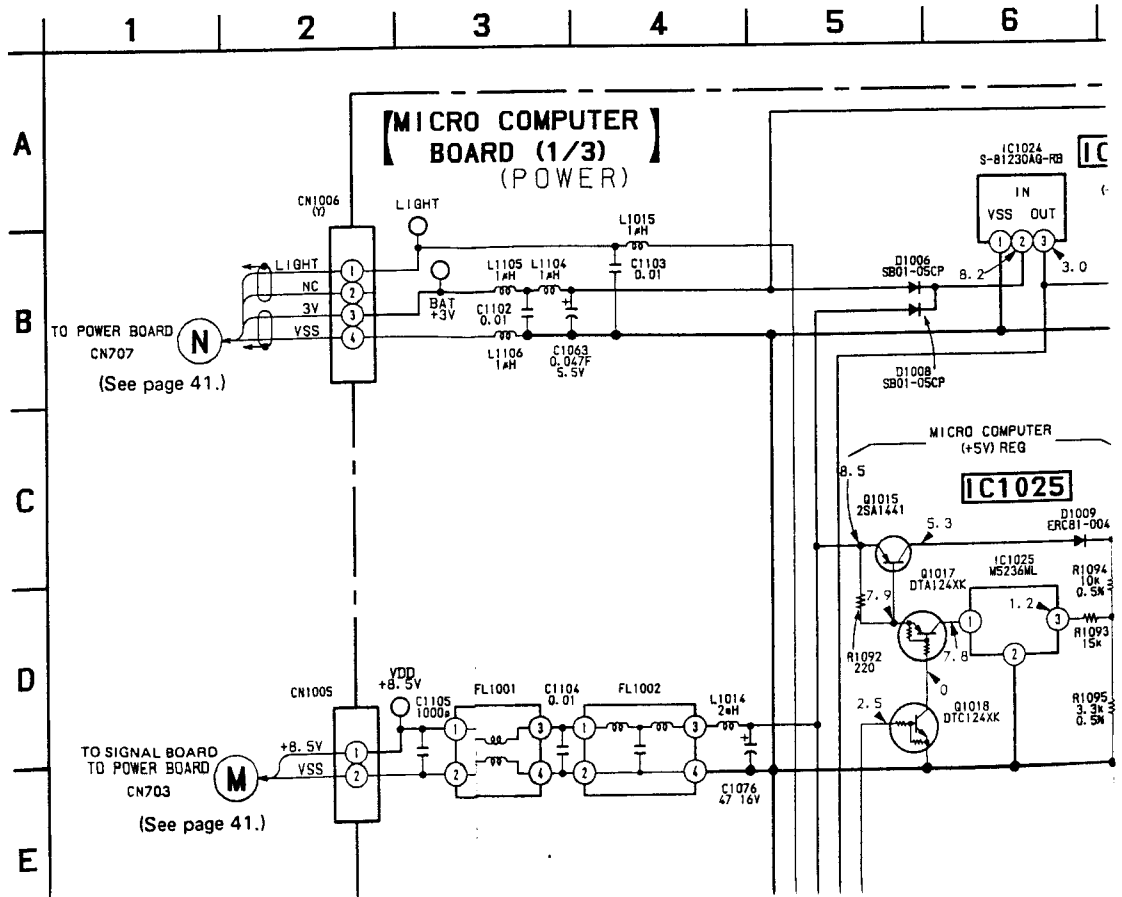
C

D

TC

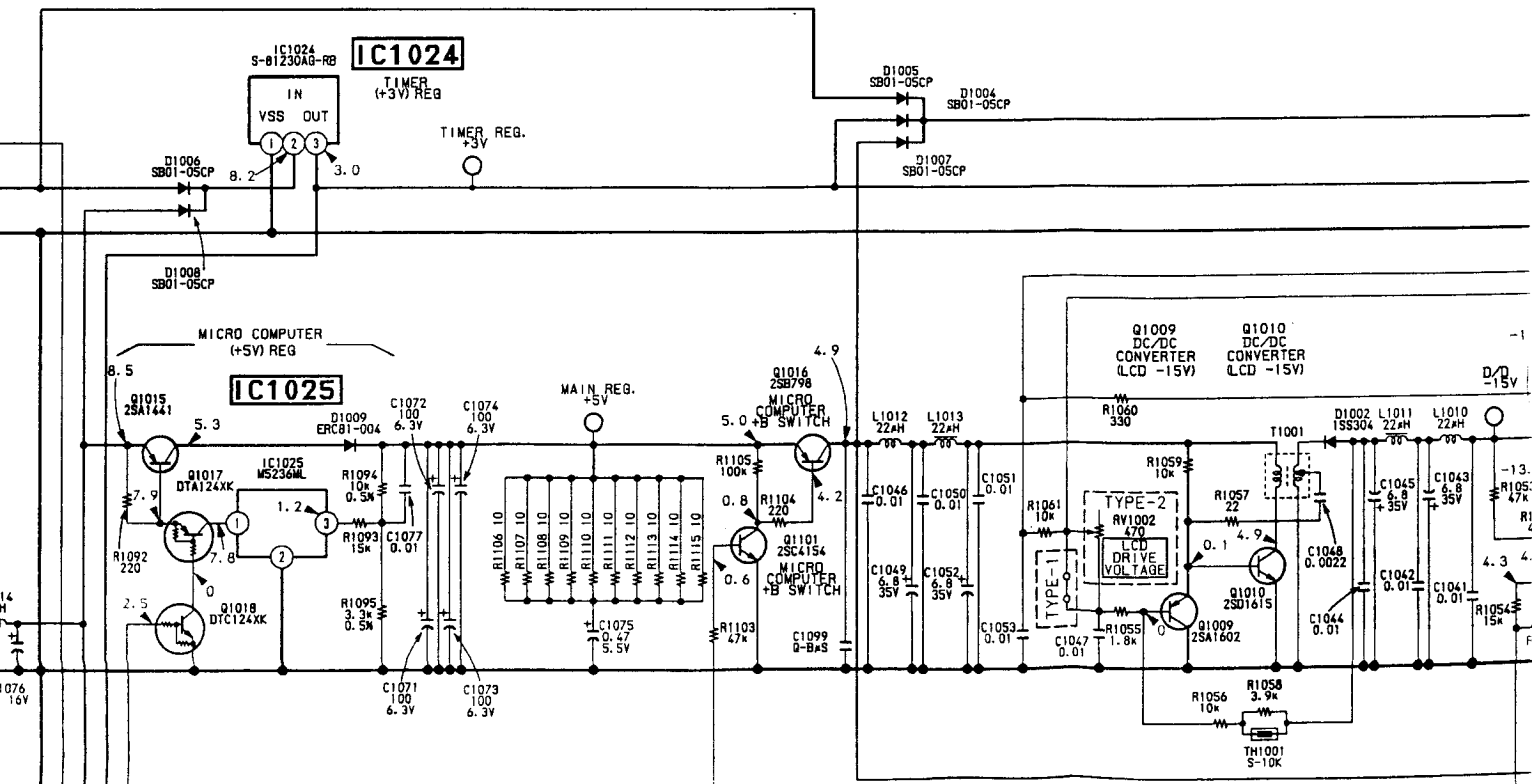
E

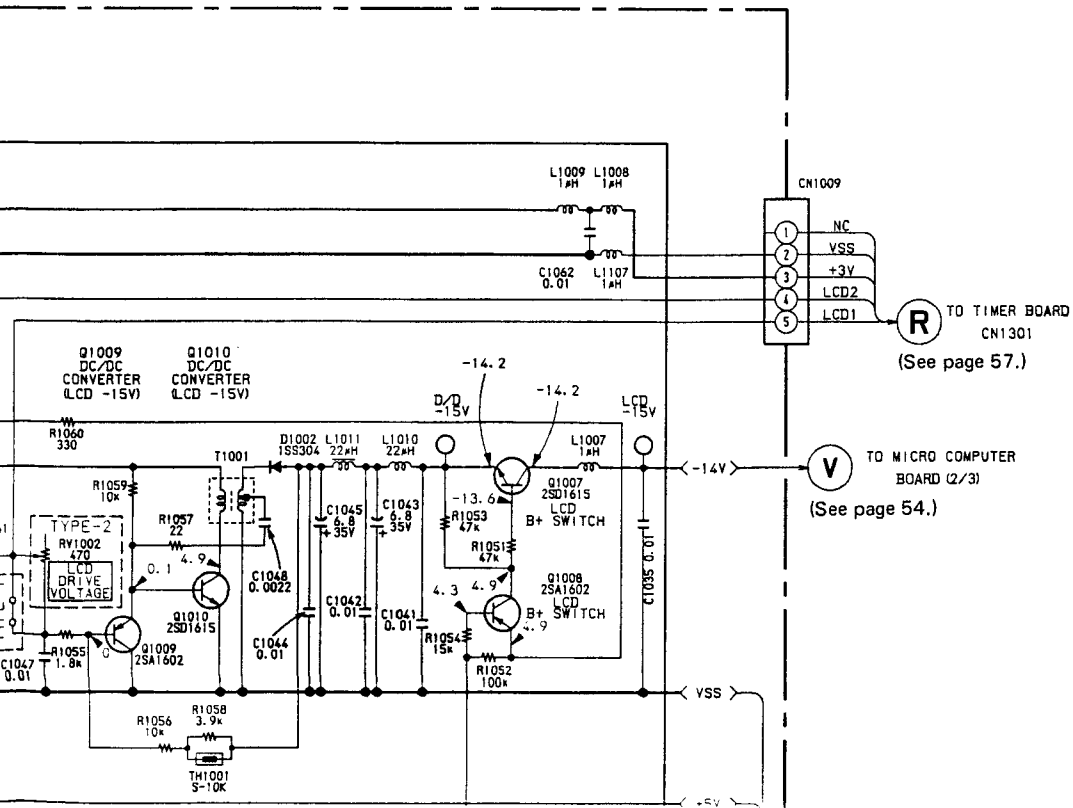
4-13. SCHEMATIC DIAGRAM
 - MICRO COMPUTER POWER SUPPLY SECTION - • Refer to page 23 for note.



fer to page 23 for note.

5 | 6 | 7 | 8 | 9 | 10 | 11 | 12 | 13

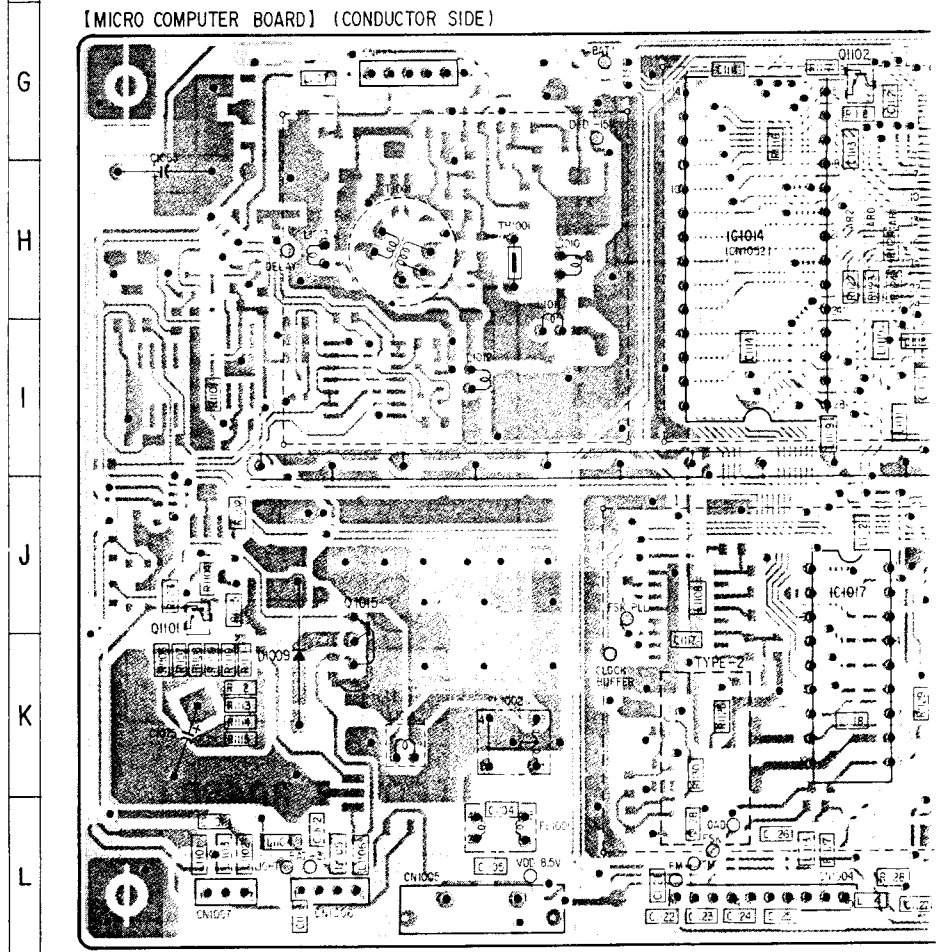
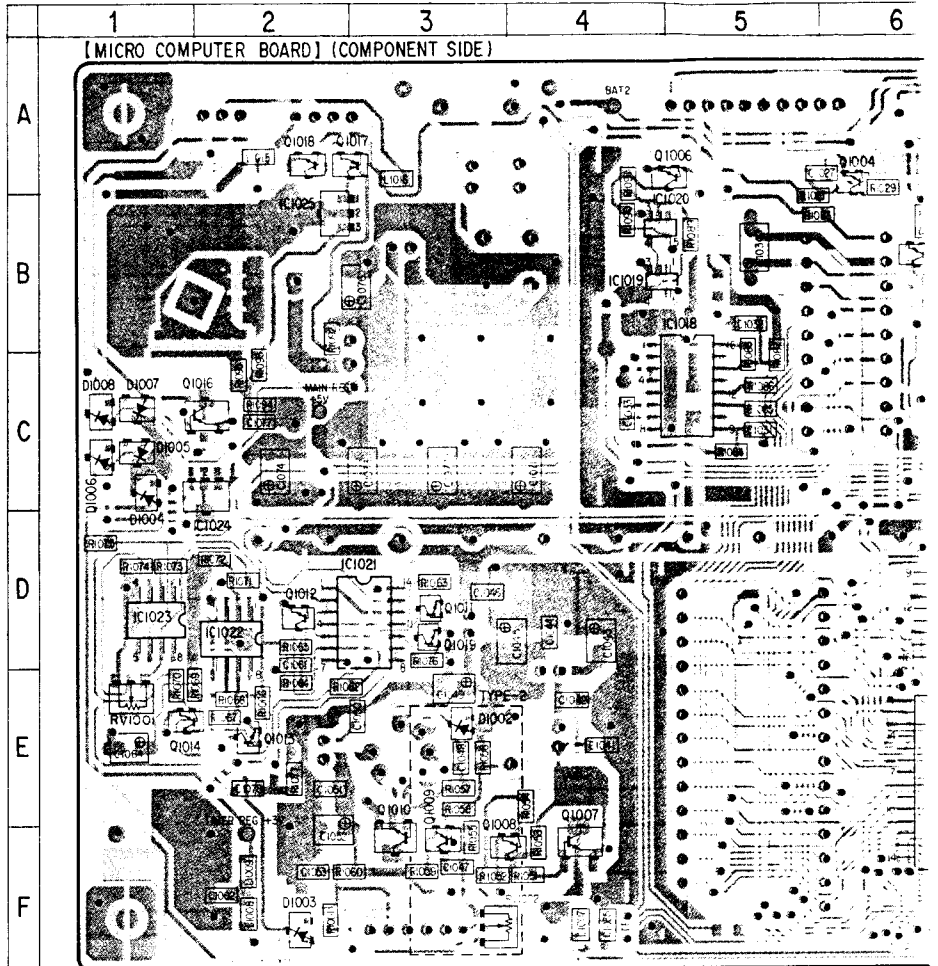


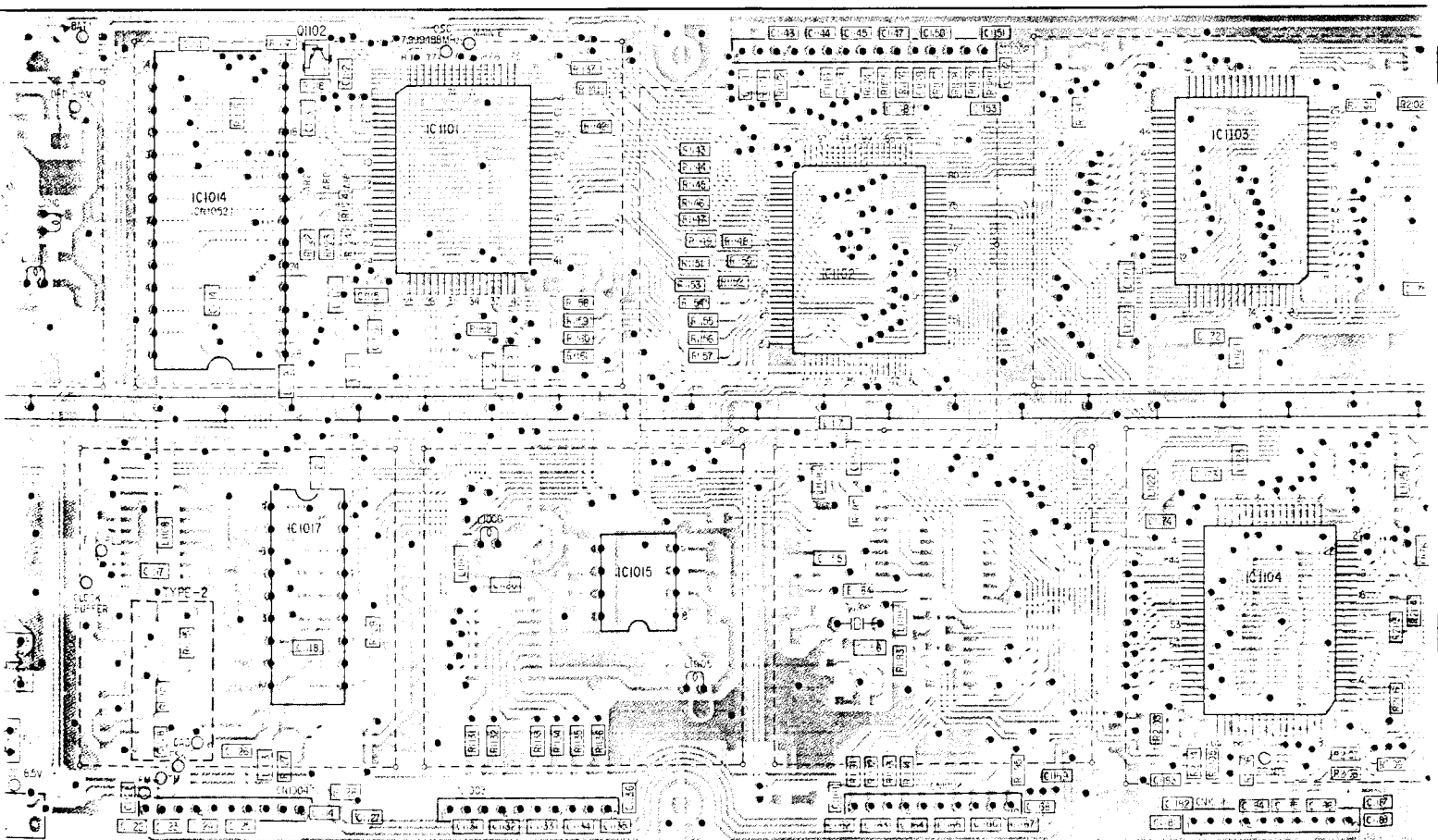
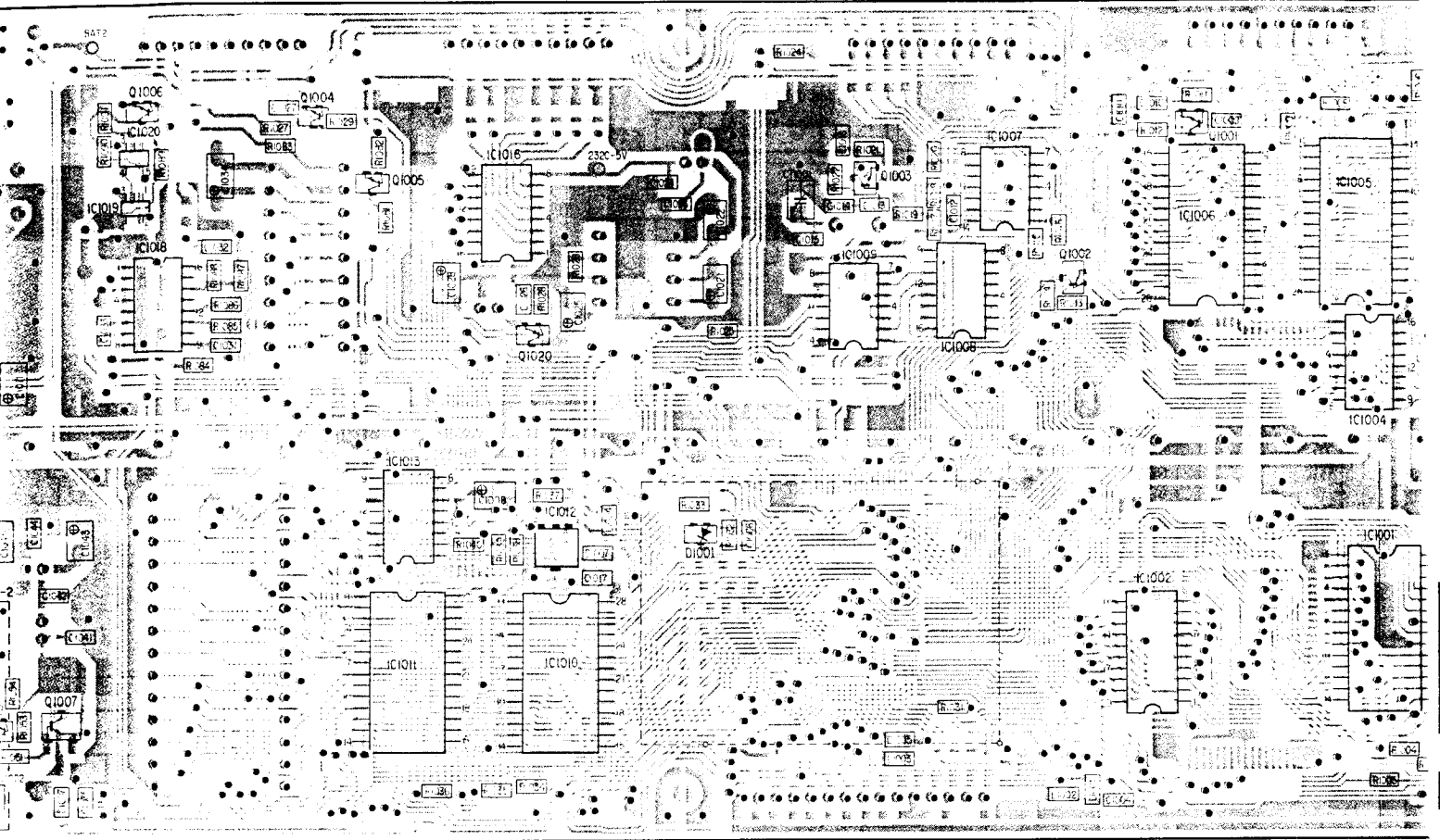


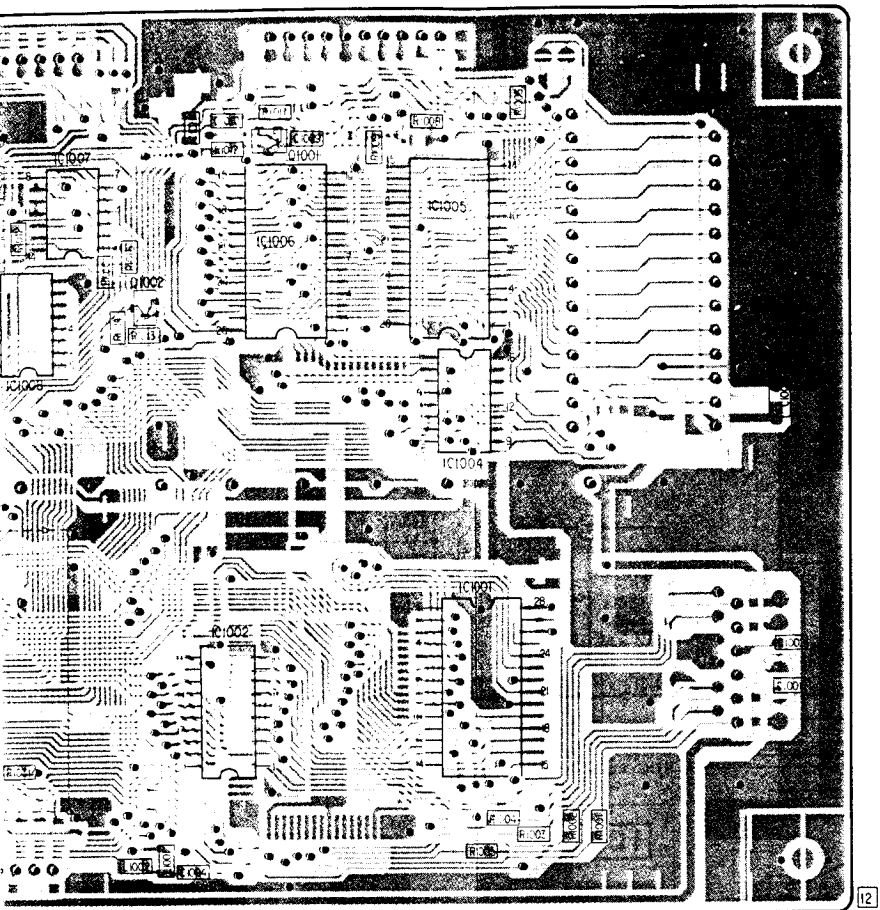
- Refer to page 19 for note.
- Refer to page 17 for Semiconductor Lead Layouts.

• Semiconductor Location

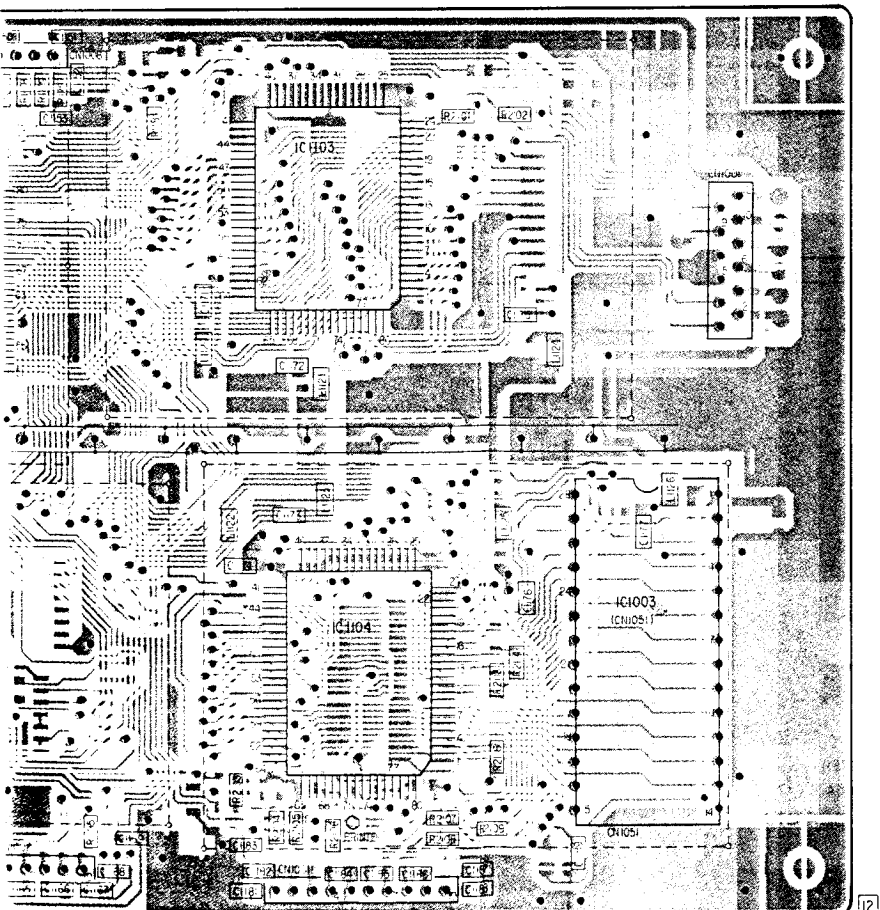
Ref. No.	Location	Ref. No.	Location
D1001	D-8	IC1022	D-2
D1002	E-3	IC1023	D-1
D1003	F-2	IC1024	C-2
D1004	C-1	IC1025	B-2
D1005	C-1	IC1101	H-7
D1006	C-1	IC1102	H-9
D1007	C-1	IC1103	H-12
D1008	C-1	IC1104	K-12
D1009	K-2		
		Q1001	A-12
IC1001	E-13	Q1002	C-11
IC1002	E-11	Q1003	B-9
IC1003	K-14	Q1004	A-6
IC1004	C-13	Q1005	B-6
IC1005	B-13	Q1006	A-4
IC1006	B-12	Q1007	F-4
IC1007	B-10	Q1008	F-3
IC1008	C-10	Q1009	F-3
IC1009	C-9	Q1010	F-3
IC1010	E-7	Q1011	D-3
IC1011	E-6	Q1012	D-2
IC1012	D-7	Q1013	E-2
IC1013	D-6	Q1014	E-1
IC1014	H-5	Q1015	K-2
IC1015	K-8	Q1016	C-2
IC1016	B-7	Q1017	A-2
IC1017	J-6	Q1018	A-2
IC1018	C-5	Q1019	D-3
IC1019	B-4	Q1020	C-7
IC1020	B-4	Q1101	J-1
IC1021	D-3	Q1102	G-6



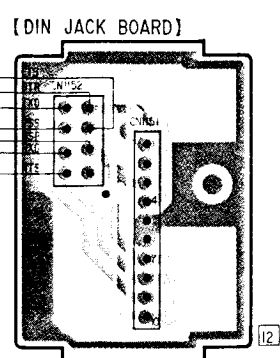
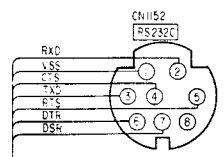
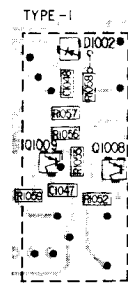




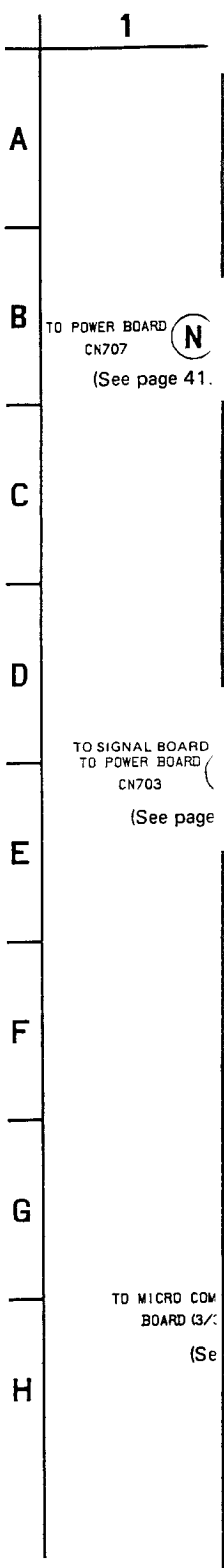
12



12

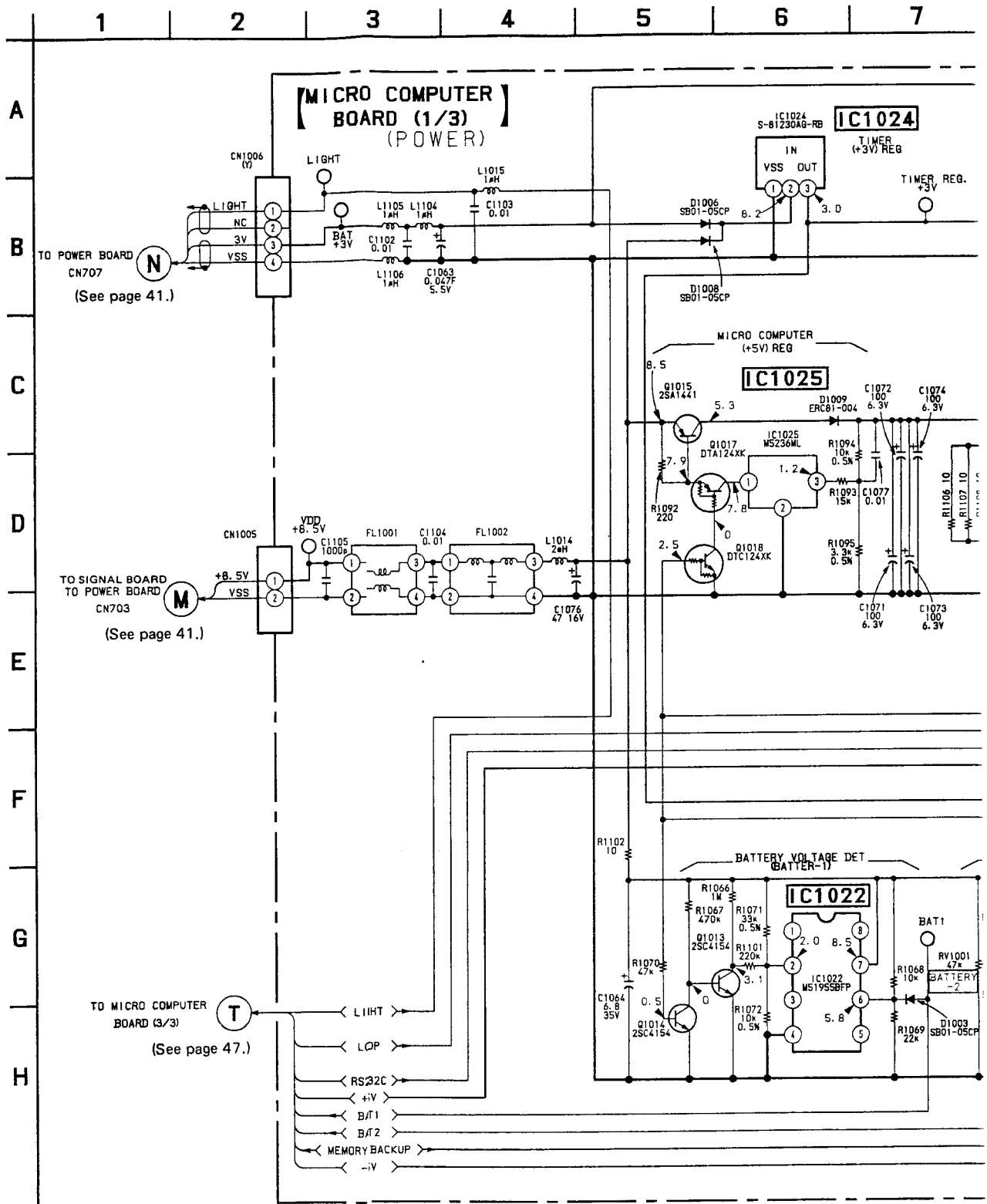


4-13. SCHEMATIC
- MICRO CO



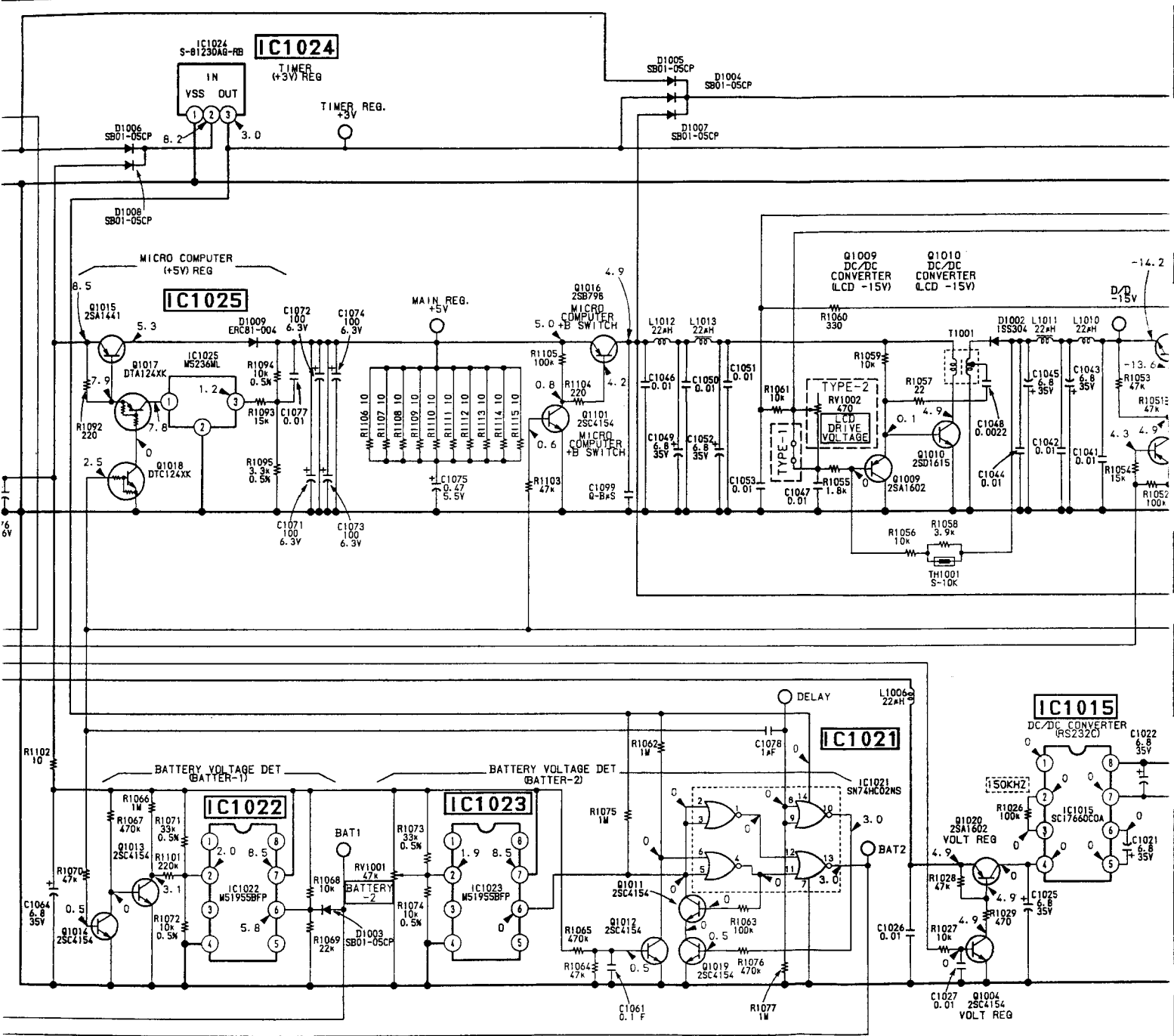
4-13. SCHEMATIC DIAGRAM

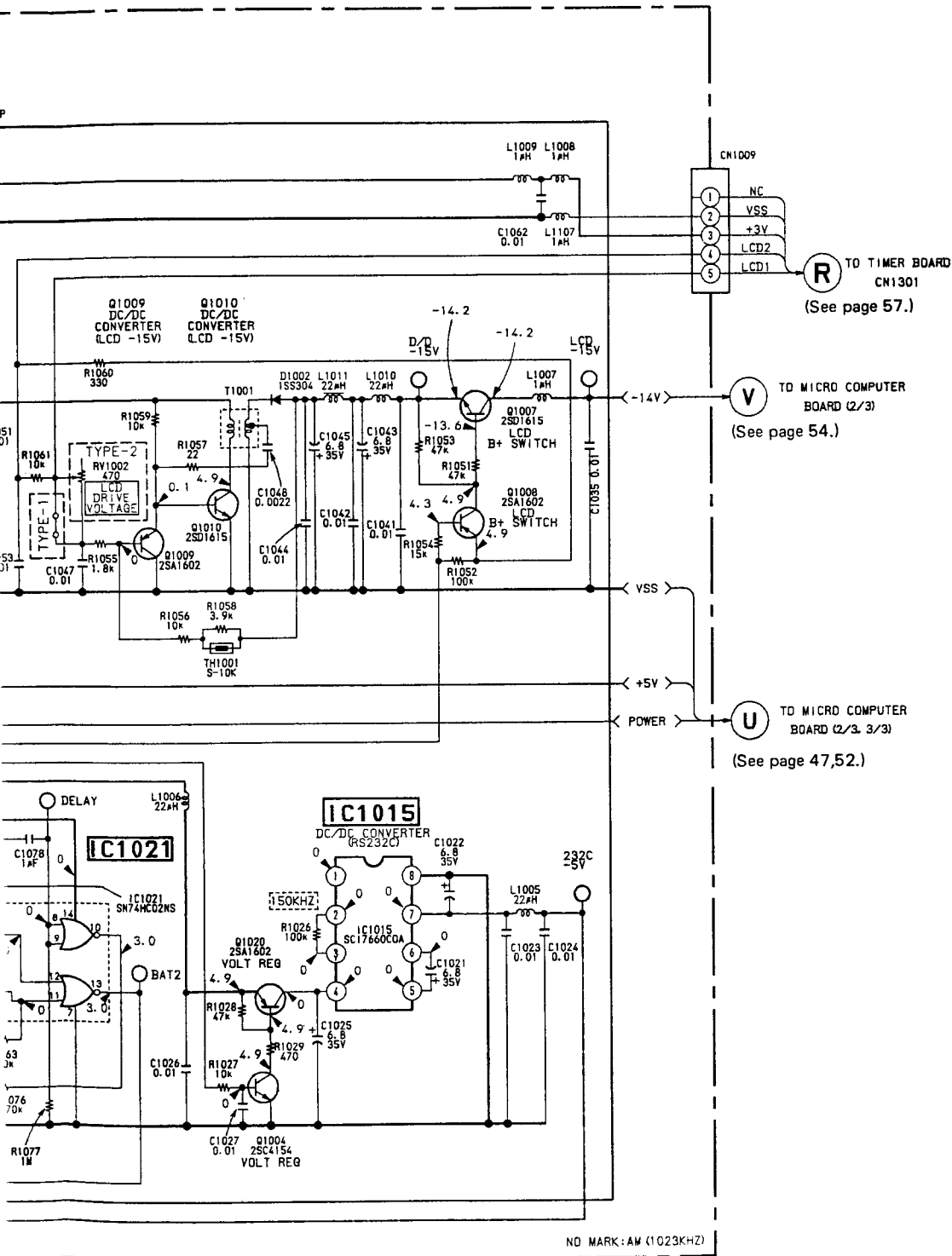
- MICRO COMPUTER POWER SUPPLY SECTION - • Refer to page 23 for note.



er to page 23 for note.

5 6 7 8 9 10 11 12 13





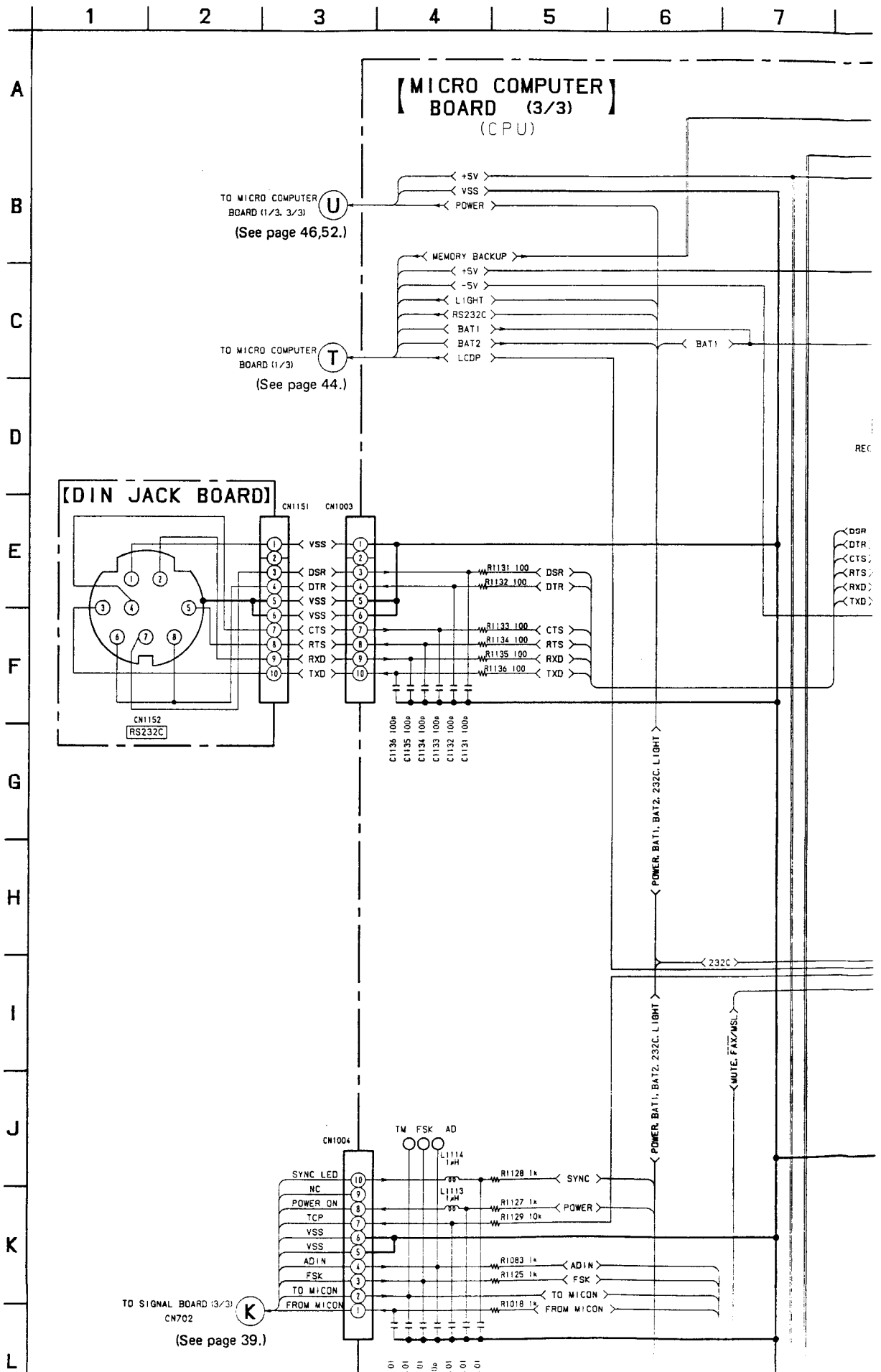
R TO TIMER BOARD
CN1301
(See page 57.)

V TO MICRO COMPUTER BOARD (2/3)
(See page 54.)

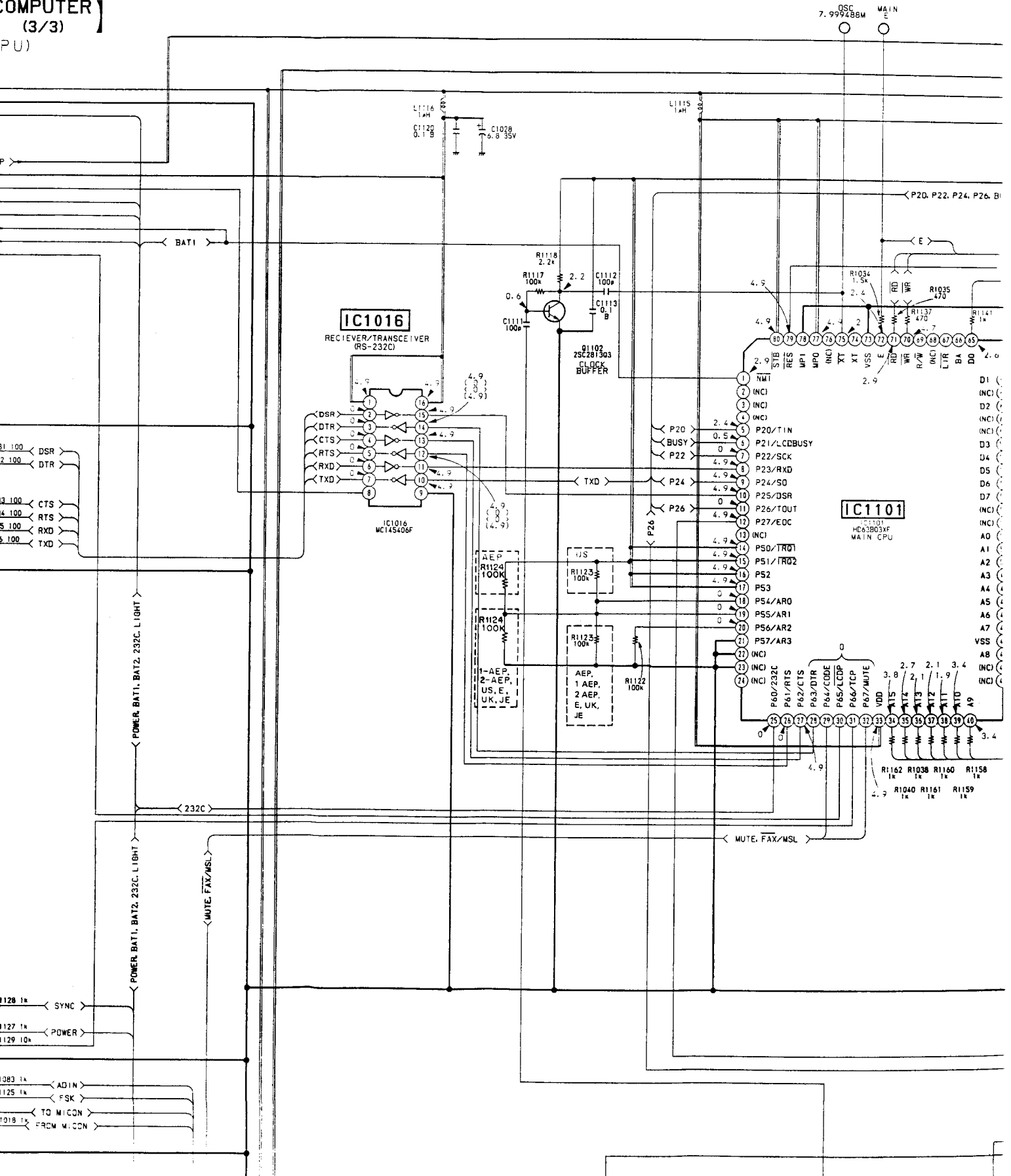
U TO MICRO COMPUTER BOARD (2/3, 3/3)
(See page 47,52.)

4-14. SCHEMATIC DIAGRAM
 - MAIN CONTROL SECTION -

• Refer to page 23 for note.



COMPUTER
(3/3)
PU)



IC1101
HD63031F
MAIN CPU

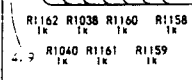
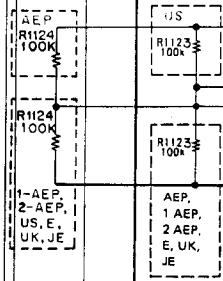
IC1016
RECEIVER/TRANSMITTER
RS-232C

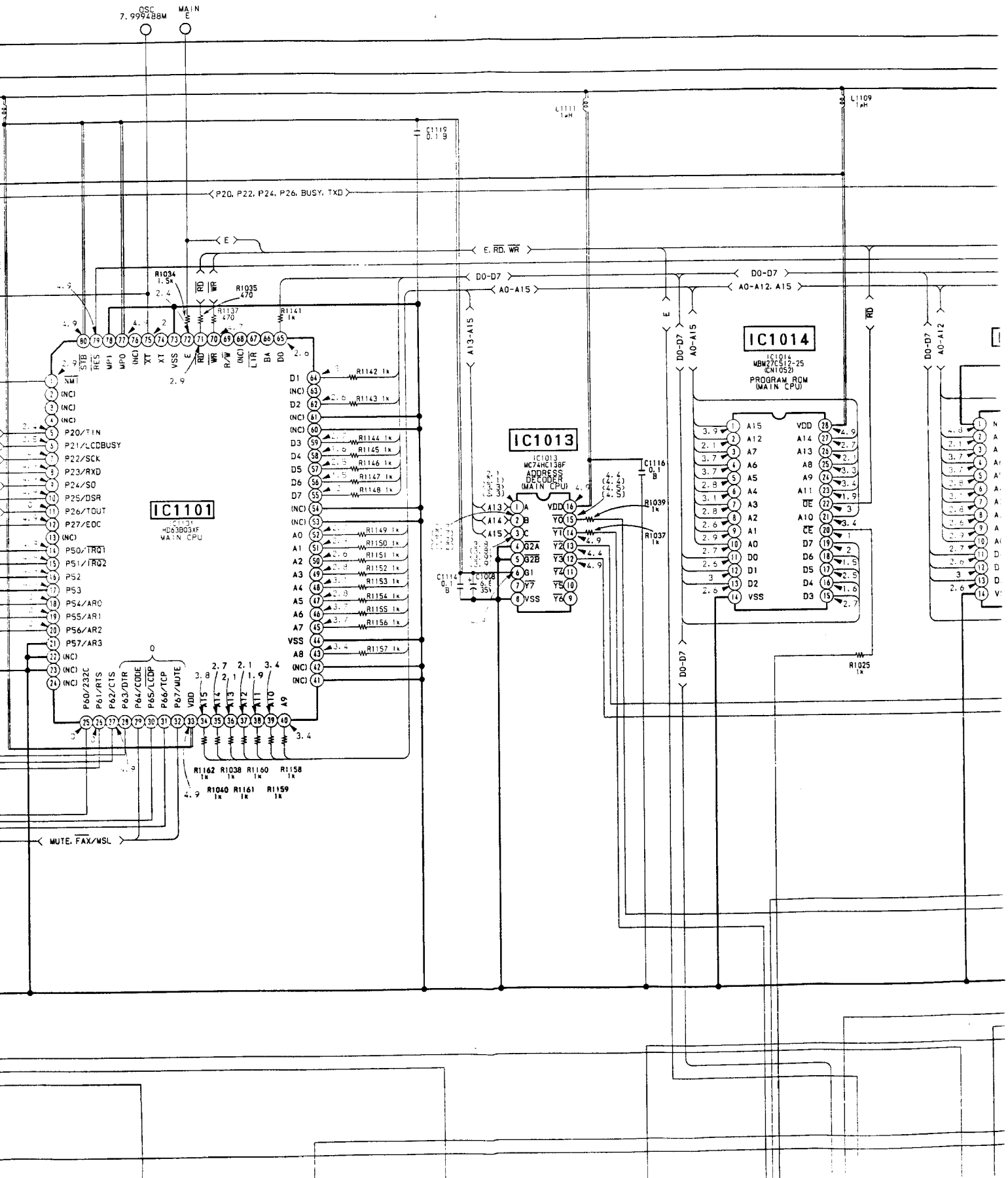
IC1016
MC145406F

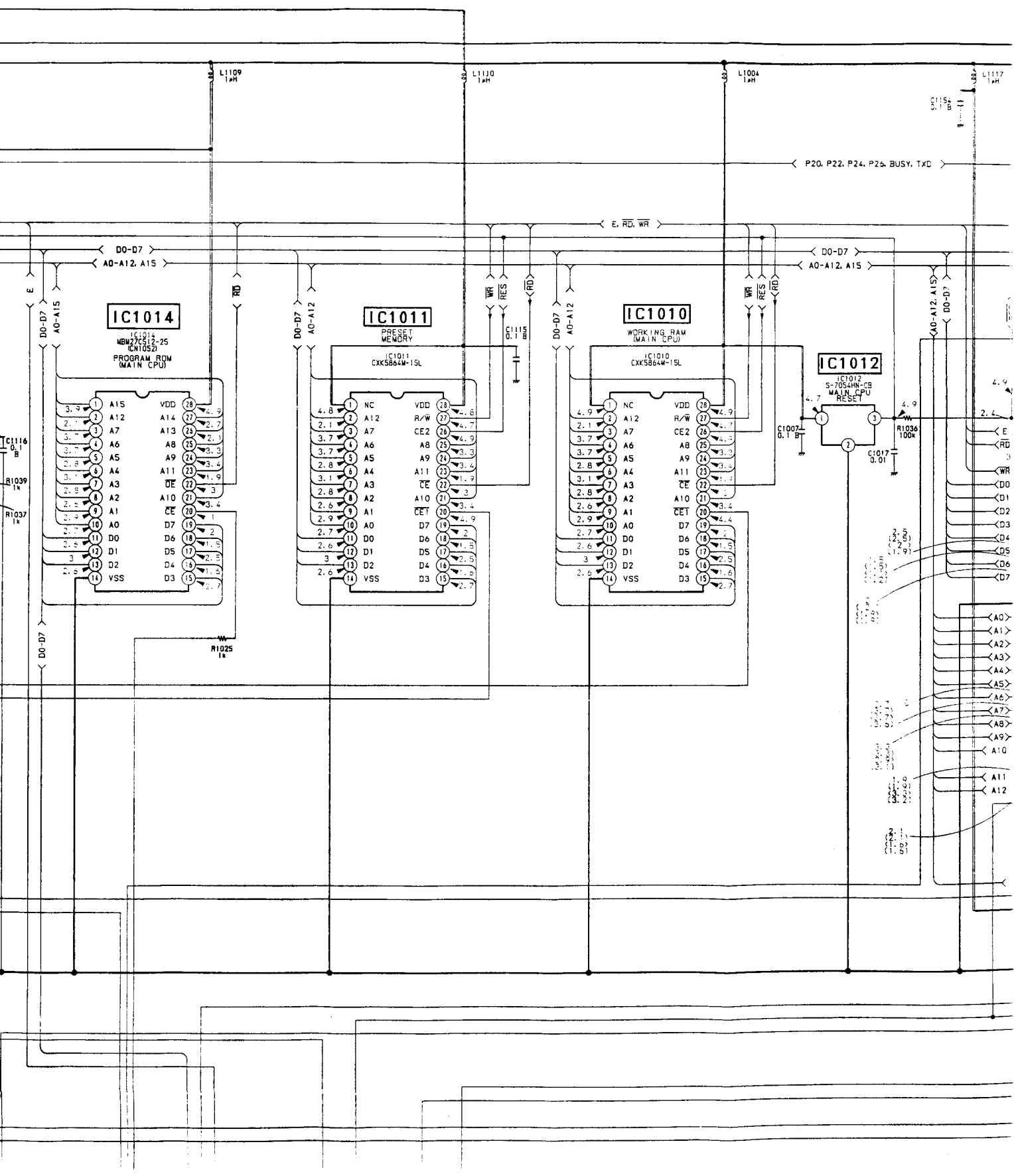
IC1102
25C281303
CLOCK
BUFFER

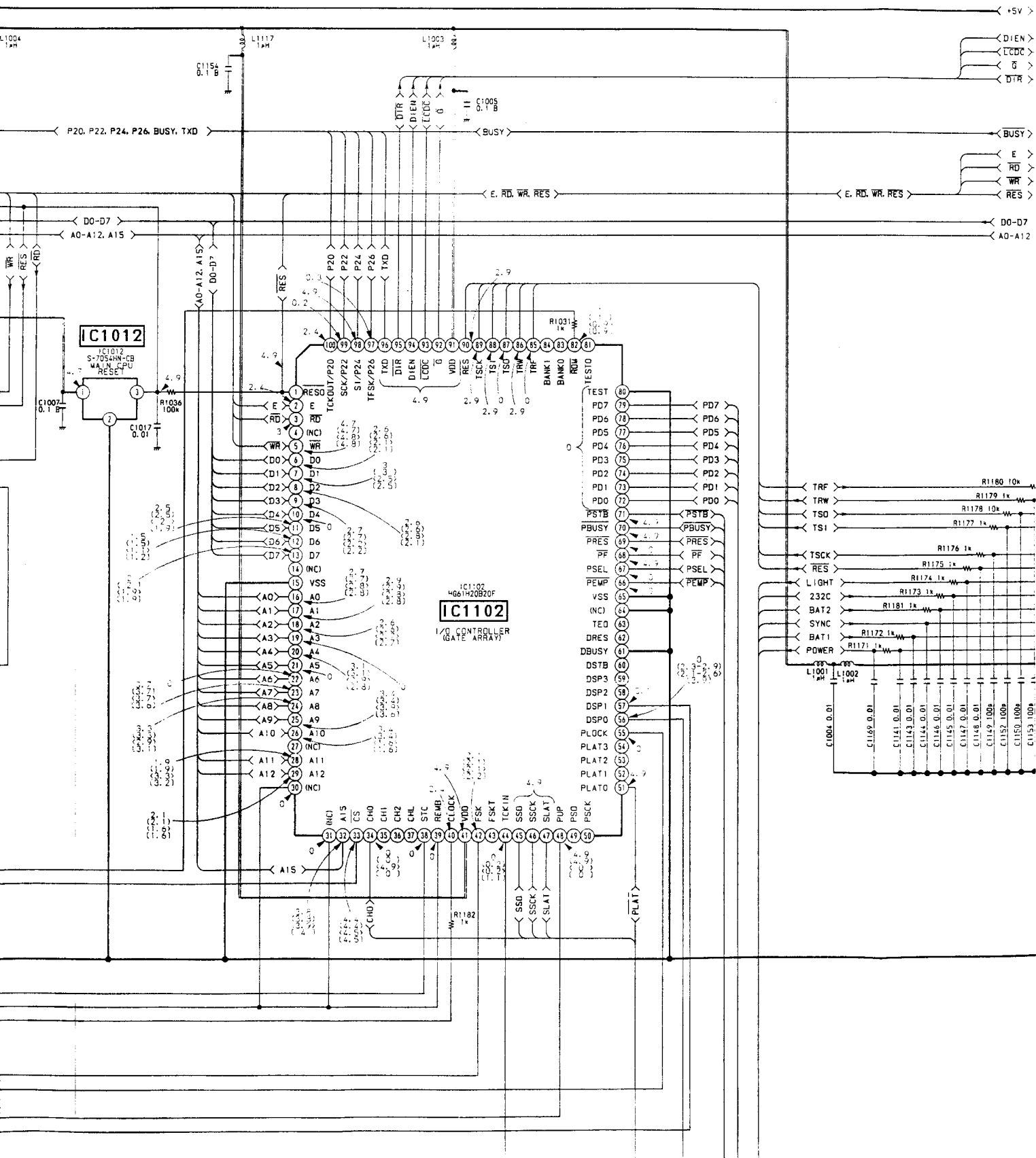
- D1 (NC)
- D2 (NC)
- D3 (NC)
- D4 (NC)
- D5 (NC)
- D6 (NC)
- D7 (NC)
- D8 (NC)
- A0 (NC)
- A1 (NC)
- A2 (NC)
- A3 (NC)
- A4 (NC)
- A5 (NC)
- A6 (NC)
- A7 (NC)
- VSS (NC)
- A8 (NC)
- A9 (NC)

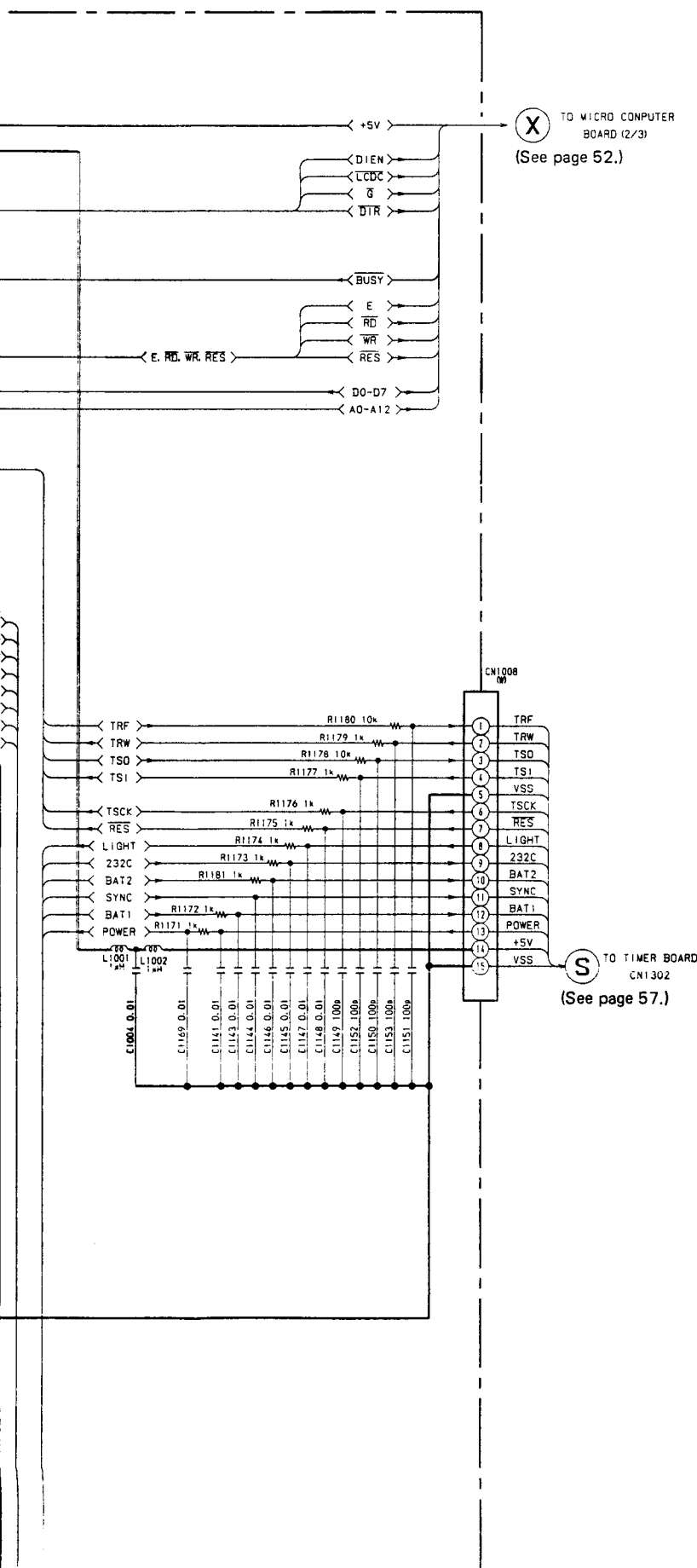
- 1 NM1
- 2 (NC)
- 3 (NC)
- 4 (NC)
- 5 P20/TIN
- 6 P21/LCDBUSY
- 7 P22/SCK
- 8 P23/RXD
- 9 P24/SO
- 10 P25/DSR
- 11 P26/TOUT
- 12 P27/EOC
- 13 (NC)
- 14 P50/TRQ1
- 15 P51/TRQ2
- 16 P52
- 17 P53
- 18 P54/ARO
- 19 P55/AR1
- 20 P56/AR2
- 21 P57/AR3
- 22 (NC)
- 23 (NC)
- 24 (NC)











(X) TO MICRO COMPUTER BOARD (2/3)
(See page 52.)

(S) TO TIMER BOARD
(See page 57.)

VOLTAGE VALUE

IC1010

PIN NO.	FM	SAT	FAX
1	4.9	4.9	4.9
2	2.1	1.6	1.6
3	3.7	3.7	3.7
4	3.7	3.1	3.2
5	2.8	2.8	2.9
6	3.1	2.9	2.9
7	2.8	2.8	2.9
8	2.6	2.7	2.7
9	2.9	2.8	2.8
10	2.7	2.8	2.8
11	2.6	2.1	2.1
12	3	2.5	2.5
13	2.6	2.2	2.2
14	0	0	0
15	2.7	2.2	2.2
16	1.6	2	2
17	2.5	2	2
18	1.5	1.2	1.2
19	2	1.9	1.9
20	4.4	4.4	4.4
21	3.4	1.6	1.6
22	3	2.9	2.9
23	1.9	3.3	3.3
24	3.4	3.9	3.6
25	3.3	2.9	3.1
26	4.9	4.9	4.9
27	4.7	4.3	4.8
28	4.9	4.9	4.9

IC1011

PIN NO.	FM	SAT	FAX
1	4.9	4.9	4.9
2	2.1	1.6	1.6
3	3.7	3.7	3.6
4	3.7	3.1	3.2
5	2.8	2.8	2.9
6	3.1	2.9	2.9
7	2.8	2.8	2.9
8	2.6	2.7	2.7
9	2.9	2.8	2.8
10	2.7	2.8	2.8
11	2.6	2.1	2.1
12	3	2.5	2.5
13	2.6	2.2	2.2
14	0	0	0
15	2.7	2.2	2.2
16	1.6	2	2
17	2.5	2	2
18	1.5	1.2	1.2
19	2	1.9	1.9
20	4.9	4.9	4.9
21	3.4	1.6	1.6
22	3	2.9	2.9
23	1.9	3.3	3.3
24	3.4	3.9	3.6
25	3.3	2.9	3.1
26	4.9	4.9	4.9
27	4.7	4.8	4.8
28	4.8	4.8	4.8

IC1012

PIN NO.	FM	SAT	FAX
1	3.2	3.2	3.2
2	2.1	1.6	1.6
3	3.7	3.7	3.7
4	3.7	3.1	3.2
5	2.8	2.8	2.9
6	3.1	2.9	2.9
7	2.8	2.8	2.9
8	2.6	2.7	2.7
9	2.9	2.8	2.8
10	2.7	2.8	2.8
11	2.6	2.1	2.1
12	3	2.5	2.5
13	2.6	2.2	2.2
14	0	0	0
15	2.7	2.2	2.2
16	1.6	2	2
17	2.5	2	2
18	1.5	1.2	1.2
19	2	1.9	1.9
20	1	0.9	0.9
21	3.4	1.6	1.6
22	3	2.9	2.9
23	1.9	3.3	3.3
24	3.4	3.9	3.6
25	3.3	2.9	3.1
26	4.9	4.9	4.9
27	2.7	1.2	1.2
28	4.9	4.9	4.9

IC1013

PIN NO.	FM	SAT	FAX	PIN NO.	FM	SAT	FAX	PIN NO.	FM	SAT	FAX
1	2.9	2.9	2.9	31	0	0	0	61	0	0	0
2	-	-	-	32	0	0	0	62	2.6	2.2	2.1
3	-	-	-	33	4.9	4.9	4.9	63	-	-	-
4	-	-	-	34	3.8	3.9	4	64	3.0	2.5	2.5
5	3.4	2.4	2.4	35	2.7	1.2	1.2	65	2.6	2.1	2.1
6	0.5	0.5	0.5	36	2.1	3.3	3.4	66	-	-	-
7	0	0	0	37	2.1	1.5	1.6	67	-	-	-
8	4.9	4.9	4.9	38	1.9	3.3	3.2	68	-	-	-
9	4.9	4.9	4.9	39	3.4	1.7	1.6	69	-	-	-
10	4.9	4.9	4.9	40	3.4	3.9	3.5	70	4.7	4.8	4.8
11	0	0	0	41	0	0	0	71	2.9	2.9	2.9
12	4.9	4.9	4.9	42	0	0	0	72	2.4	2.4	2.4
13	-	-	-	43	3.7	2.9	3.1	73	0	0	0
14	4.9	4.9	4.9	44	0	0	0	74	-	-	-
15	4.9	4.9	4.9	45	3.7	3.7	3.7	75	2	2	2
16	4.9	4.9	4.9	46	3.7	3.1	3.2	76	-	-	-
17	4.9	4.9	4.9	47	2.8	2.8	2.8	77	4.9	4.9	4.9
18	0	0	0	48	3.1	2.9	2.9	78	0	0	0
19	0	0	0	49	2.8	2.8	2.9	79	4.9	4.9	4.9
20	0	0	0	50	2.6	2.7	2.7	80	4.9	4.9	4.9
21	0	0	0	51	2.9	2.8	2.8				
22	0	0	0	52	2.7	2.8	2.8				
23	0	0	0	53	0	0	0				
24	0	0	0	54	0	0	0				
25	0	0	0	55	2	1.9	1.9				
26	0	0	0	56	1.5	1.1	1.2				
27	4.9	4.9	4.9	57	2.5	2	1.9				
28	0	0	0	58	1.6	2	2				
29	0	0	0	59	2.7	2.2	2.2				
30	0	0	0	60	0	0	0				

IC1017

PIN NO.	FM	SAT	FAX
1	2.4	2.4	2.4
2	0	0	0
3	1.6	2	2
4	2.5	2	1.9
5	1.5	1.2	1.2
6	2	1.9	1.9
7	-	-	-
8	0	0	0
9	0.8	0.4	0.7
10	0	0	0
11	4.9	4.9	4.9
12	2	0	0
13	2.6	3.1	2.1
14	3	2.5	2.5
15	1.5	1.2	1.2
16	2	1.9	1.9
17	4.9	4.9	4.9

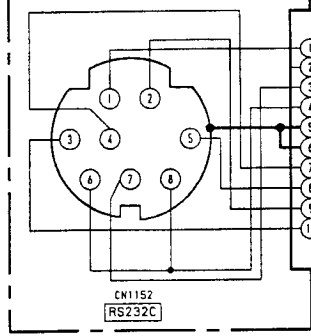
IC1018

PIN NO.	FM	SAT	FAX
1	-	-	-
2	2.1	2.1	2.4
3	2.2	2.2	2.3
4	2.2	2.2	2.3
5	0	0	0
6	0.8	0.8	0.7
7	0.4	0.4	0.4
8	0	0	0
9	2.1	2.1	2.3
10	-	-	-
11	0.5	0.5	0.7
12	3.7	3.7	3.7
13	-	-	-
14	2.4	2.4	2.4
15	-	-	-
16	4.9	4.9	4.9

A
B
C
D
E
F
G
H
I
J
K
L

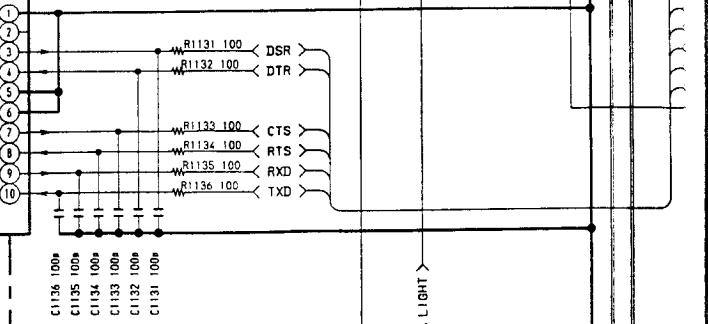
E
F
G
H
I
J
K
L
M
N
O
P

[DIN JACK BOARD]



CN1151 CN1003

- 1 VSS
- 2 DSR
- 3 DTR
- 4 VSS
- 5 VSS
- 6 CTS
- 7 RTS
- 8 RXD
- 9 TXD
- 10



- C1136 100p
- C1135 100p
- C1134 100p
- C1133 100p
- C1132 100p
- C1131 100p

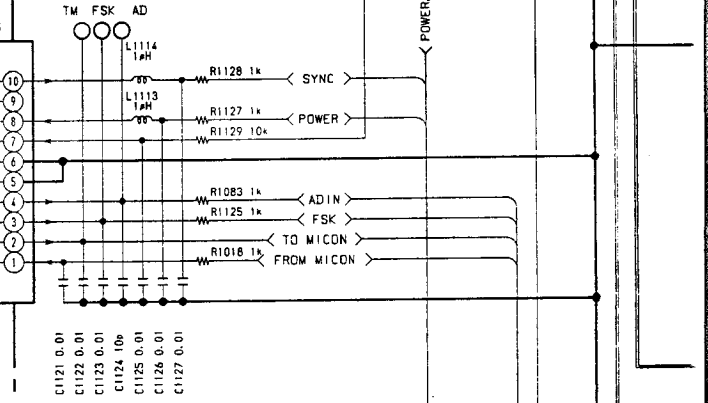
POWER, BAT1, BAT2, 232C, LIGHT

232C

MUTE, FAX/MSL

CN1004

- 10 SYNC LED
- 9 NC
- 8 POWER ON
- 7 TCP
- 6 VSS
- 5 VSS
- 4 ADIN
- 3 FSK
- 2 TO MICON
- 1 FROM MICON

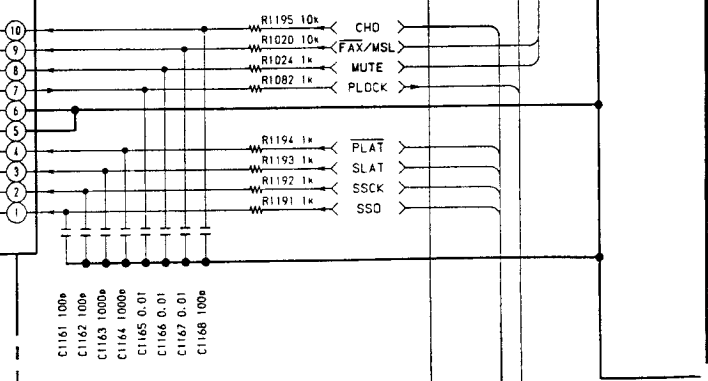


- C1121 0.01
- C1122 0.01
- C1123 0.01
- C1124 10p
- C1125 0.01
- C1126 0.01
- C1127 0.01

TO SIGNAL BOARD (3/3)
CN702
(See page 39.)

CN1002

- 10 SB/SAT
- 9 FAX/MSL
- 8 MUTE
- 7 P-LOCK
- 6 VSS
- 5 P-LAT
- 4 SLAT
- 3 SSCK
- 2 SSO

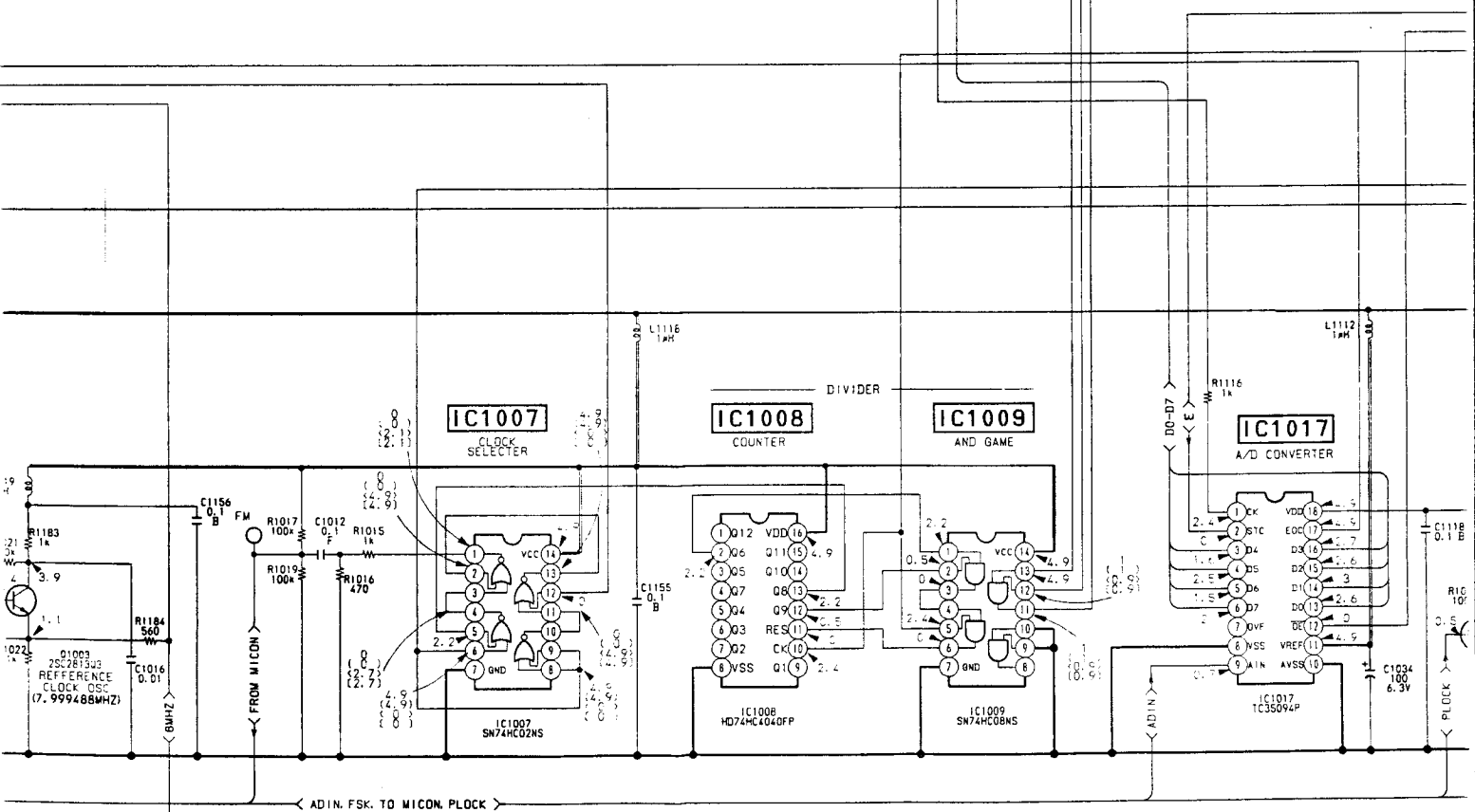
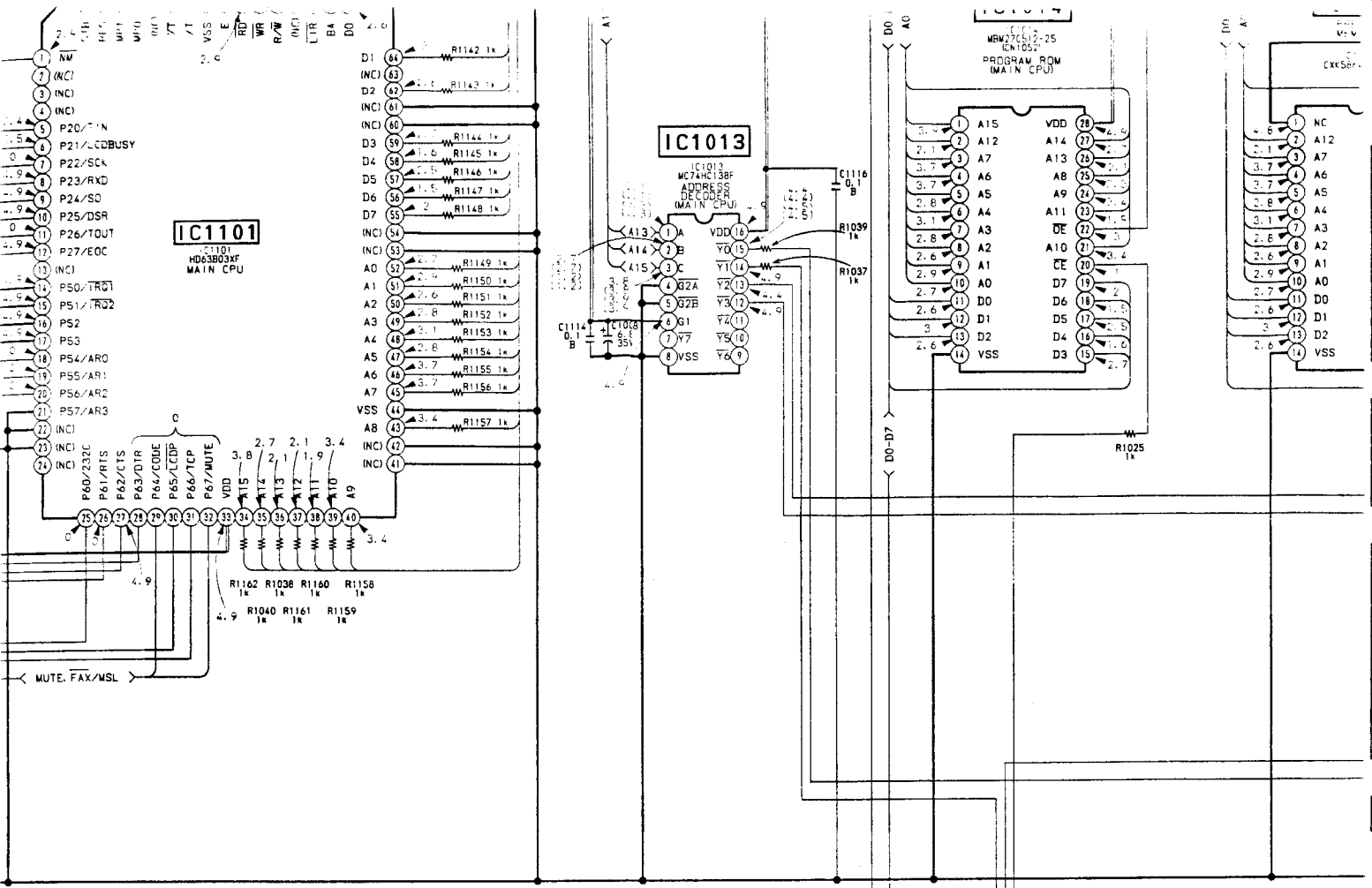


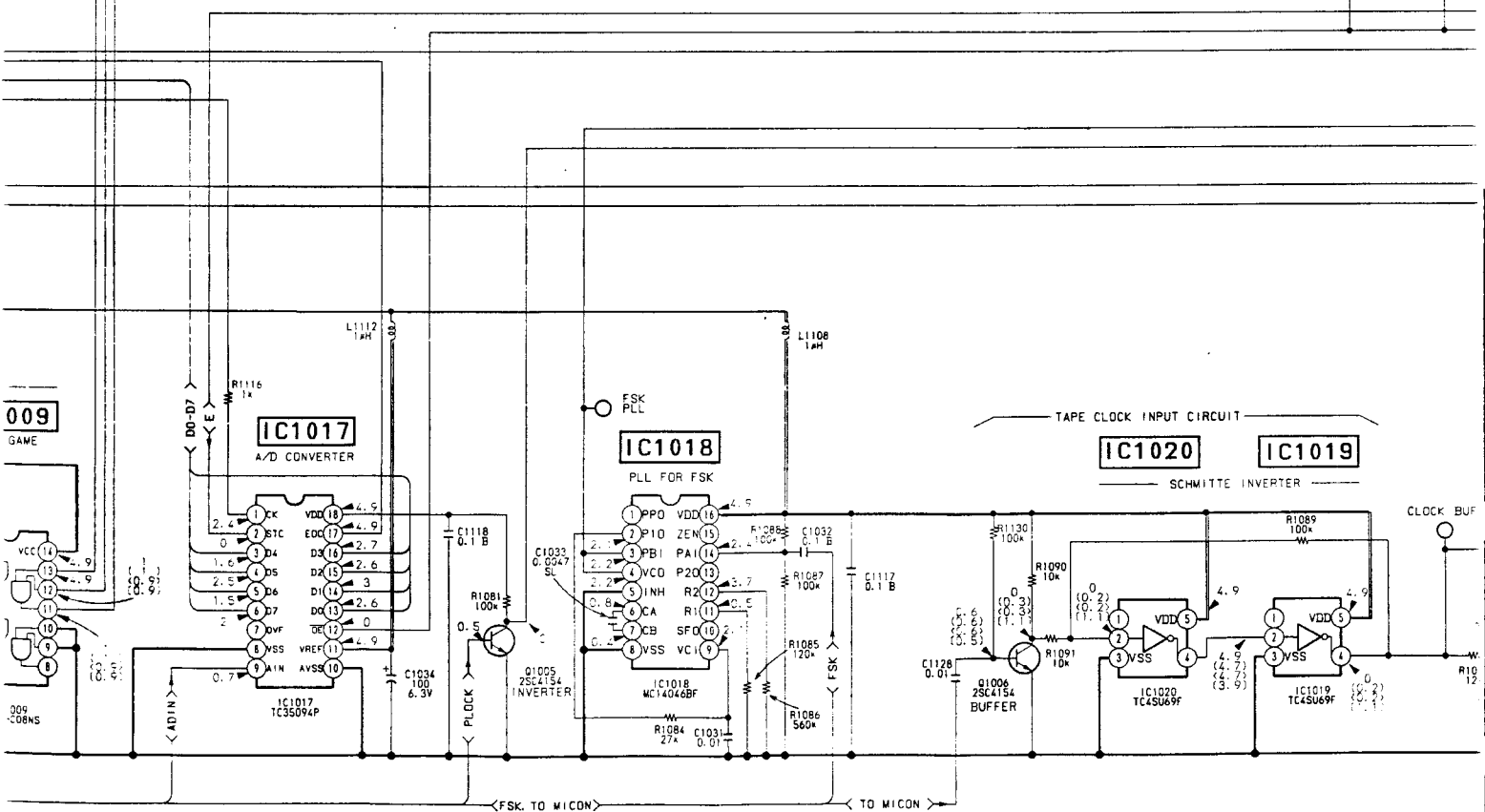
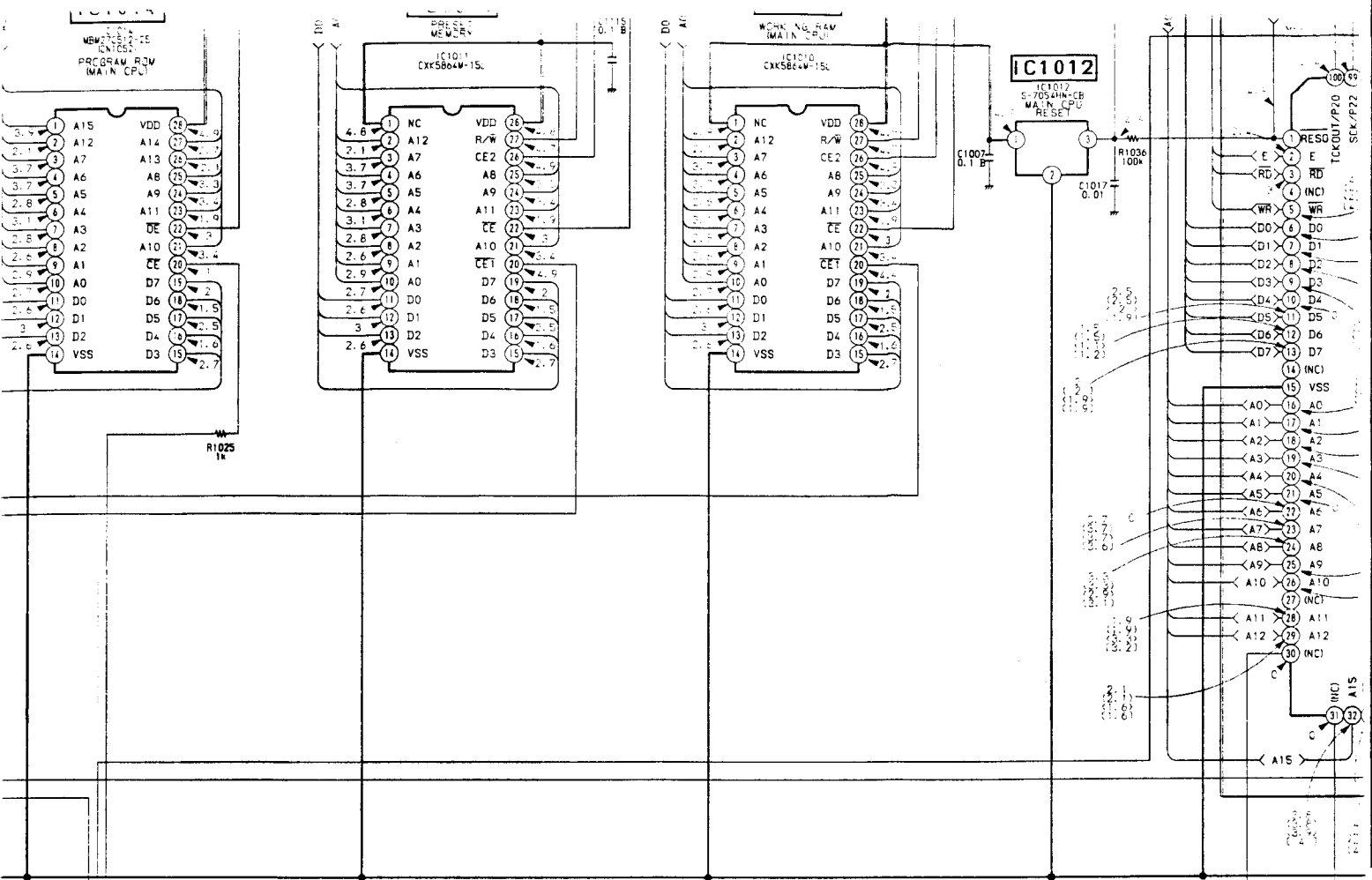
- C1161 100p
- C1162 100p
- C1163 1000p
- C1164 1000p
- C1165 0.01
- C1166 0.01
- C1167 0.01
- C1168 100p

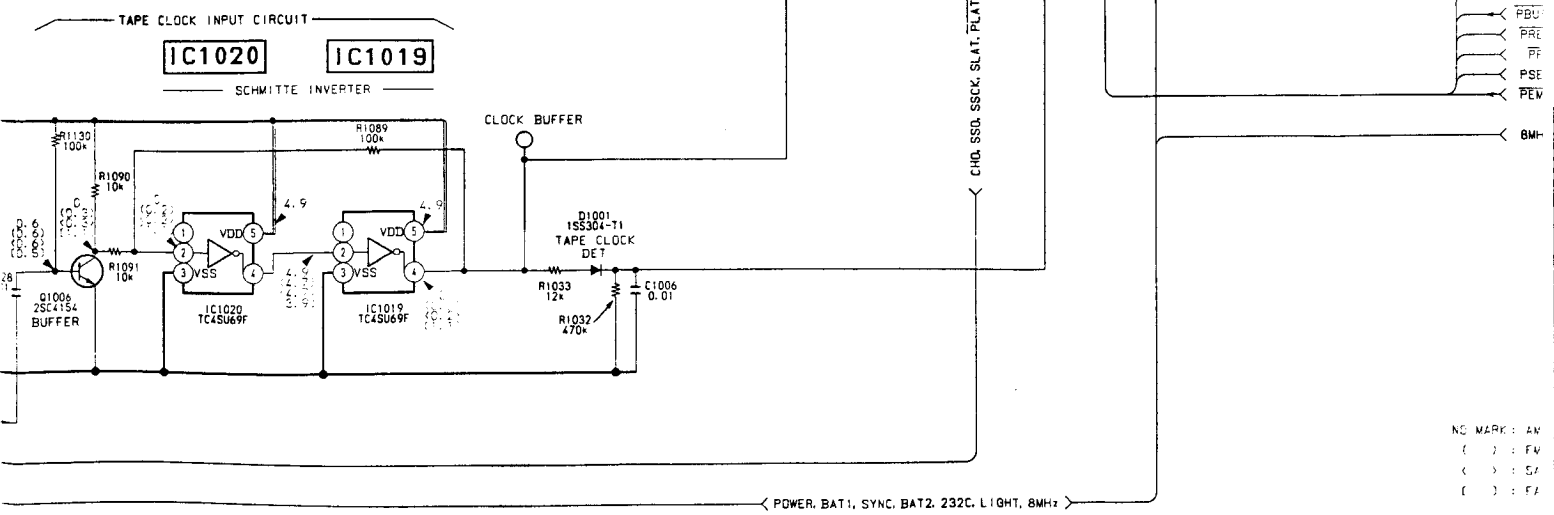
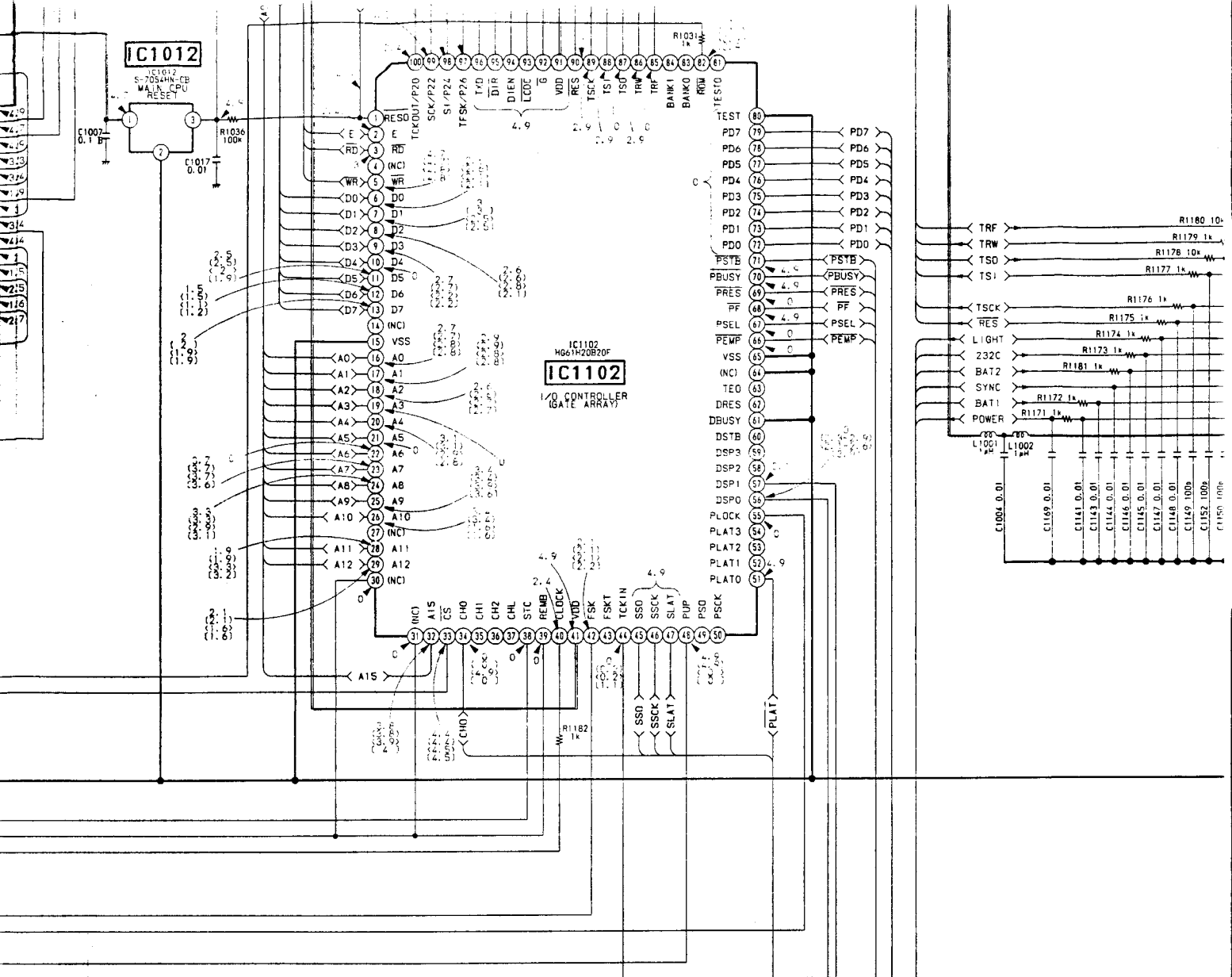
TO SIGNAL BOARD (3/3)
CN704
(See page 39.)

ADIN, FSK, TO MICON

CHO, SSO







NO MARK: AN
() : FN
() : SX
() : FX

1	2.4	2.4	2.4
2	0	0	0
3	1.6	2	2
4	2.5	2	1.9
5	1.5	2	1.2
6	2	1.9	1.9
7	-	-	-
8	0.8	0.7	0.7
9	2.1	2.1	2.3
10	-	-	-
11	0.5	0.5	0.7
12	3.7	3.7	3.7
13	-	-	-
14	2.4	2.4	2.4
15	-	-	-
16	4.9	4.9	4.9

IC100

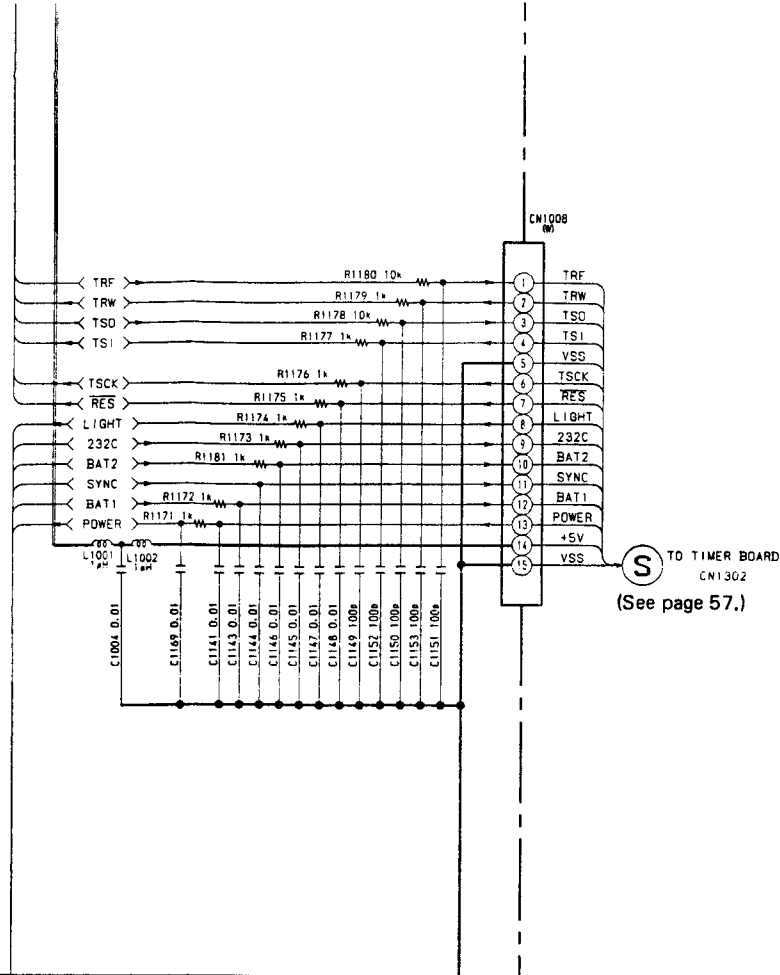
PIN NO.	FM	SAT	FAX	PIN NO.	FM	SAT	FAX	PIN NO.	FM	SAT	FAX
1	2.4	2.4	2.4	31	0	0	0	61	0	0	0
2	0	0	0	32	0	0	0	62	2.6	2.7	2.1
3	-	-	-	33	4.9	4.9	4.9	63	-	-	-
4	-	-	-	34	3.6	3.9	2	64	3.0	2.5	2.5
5	2.4	2.4	2.4	35	2.7	1.2	1.2	65	2.6	2.7	2.1
6	0.5	0.5	0.5	36	2.1	3.3	3.4	66	-	-	-
7	0	0	0	37	2.1	1.5	1.2	67	-	-	-
8	4.9	4.9	4.9	38	1.9	3.3	3.2	68	-	-	-
9	4.9	4.9	4.9	39	3.4	1.7	1.6	69	-	-	-
10	4.9	4.9	4.9	40	3.4	3.9	3.6	70	4.7	4.6	4.8
11	0	0	0	41	0	0	0	71	2.9	2.9	2.9
12	4.9	4.9	4.9	42	0	0	0	72	2.4	2.4	2.4
13	-	-	-	43	3.7	2.9	3.1	73	0	0	0
14	4.9	4.9	4.9	44	0	0	0	74	-	-	-
15	4.9	4.9	4.9	45	3.7	3.7	3.7	75	2	2	2
16	4.9	4.9	4.9	46	3.7	3.1	3.2	76	-	-	-
17	4.9	4.9	4.9	47	2.8	2.8	2.8	77	4.9	4.9	4.9
18	0	0	0	48	3.1	2.9	2.9	78	0	0	0
19	0	0	0	49	2.8	2.8	2.9	79	4.9	4.9	4.9
20	0	0	0	50	2.6	2.7	2.7	80	4.9	4.9	4.9
21	0	0	0	51	2.9	2.6	2.8				
22	0	0	0	52	2.7	2.8	2.6				
23	0	0	0	53	0	0	0				
24	0	0	0	54	0	0	0				
25	0	0	0	55	2	1.9	1.9				
26	0	0	0	56	1.5	1.1	1.2				
27	4.9	4.9	4.9	57	2.5	2	1.9				
28	0	0	0	58	1.6	2	2				
29	0	0	0	59	2.7	2.2	2.2				
30	0	0	0	60	0	0	0				

IC1007

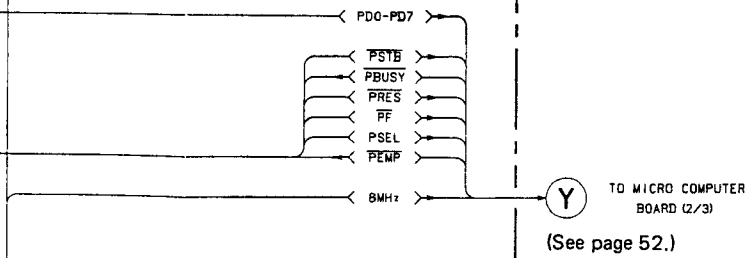
PIN NO.	FM	SAT	FAX
1	2.4	2.4	2.4
2	0	0	0
3	1.6	2	2
4	2.5	2	1.9
5	1.5	2	1.2
6	2	1.9	1.9
7	-	-	-
8	0.8	0.7	0.7
9	2.1	2.1	2.3
10	-	-	-
11	0.5	0.5	0.7
12	3.7	3.7	3.7
13	-	-	-
14	2.4	2.4	2.4
15	-	-	-
16	4.9	4.9	4.9

IC1016

PIN NO.	FM	SAT	FAX
1	-	-	-
2	2.1	2.1	2.4
3	2.2	2.2	2.3
4	2.2	2.2	2.3
5	0	0	0
6	0.8	0.8	0.7
7	0.4	0.4	0.4
8	0	0	0
9	2.1	2.1	2.3
10	-	-	-
11	0.5	0.5	0.7
12	3.7	3.7	3.7
13	-	-	-
14	2.4	2.4	2.4
15	-	-	-
16	4.9	4.9	4.9



TO TIMER BOARD
CN1302
(See page 57.)



(See page 52.)

NO MARK : AM (1023KHZ)
() : FM (98.1MHZ)
< > : SAT (GMS)
() : FAX (3622.5KHZ)

E
F
G
H
I
J
K
L
M
N
O
P

4-15. SCHEMATIC DIAGRAM
 - PRINTER/LCD CONTROL SECTION -
 • Refer to page 23 for note.

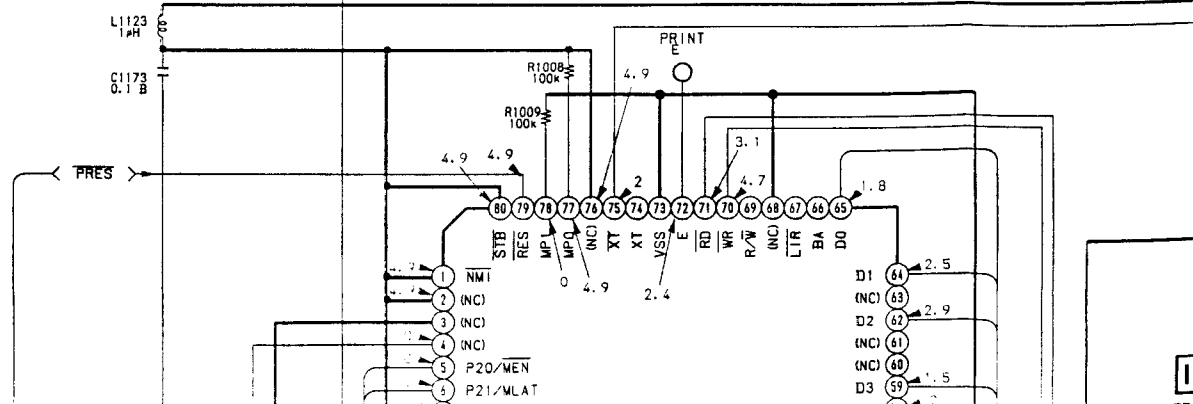
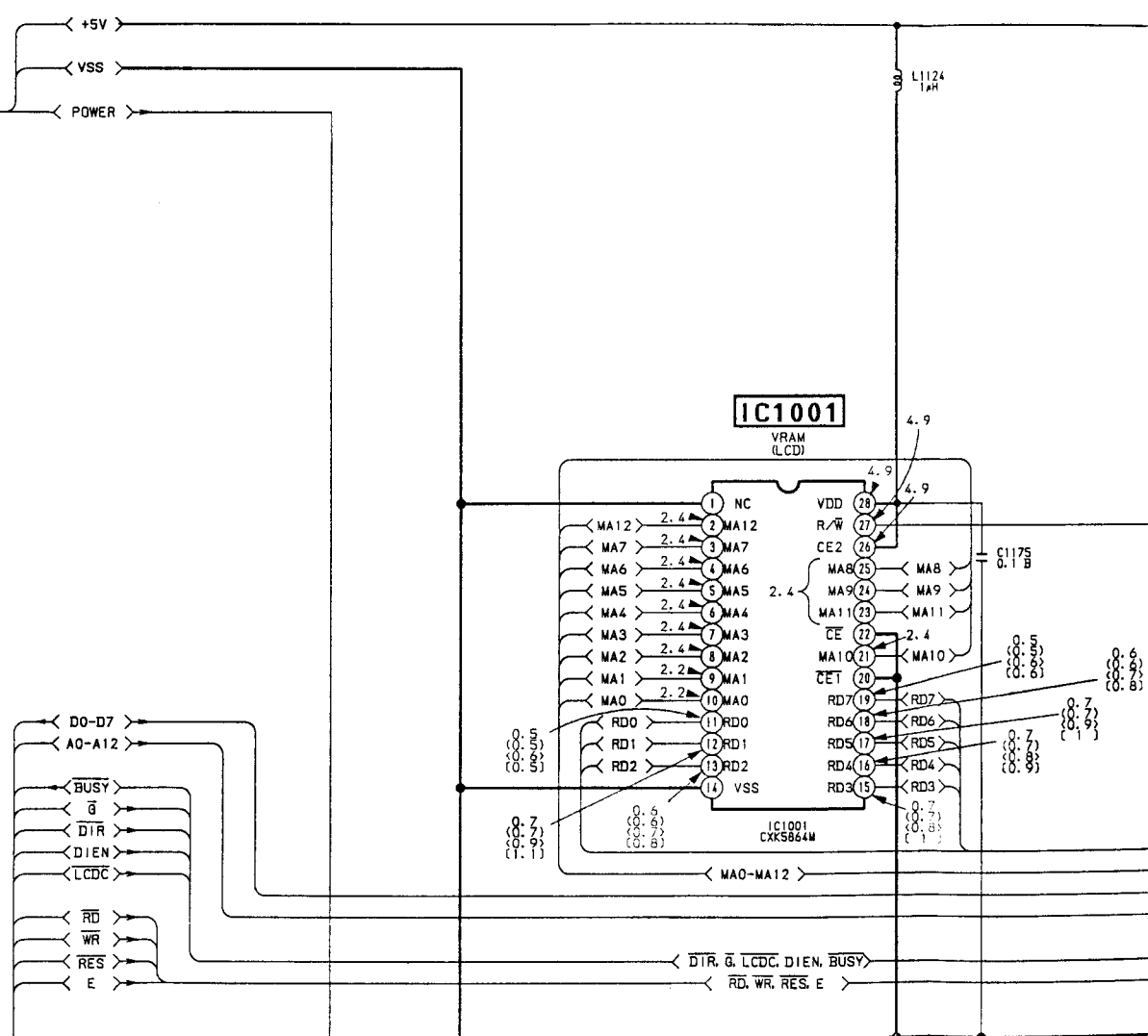
1 2 3 4 5 6 7 8

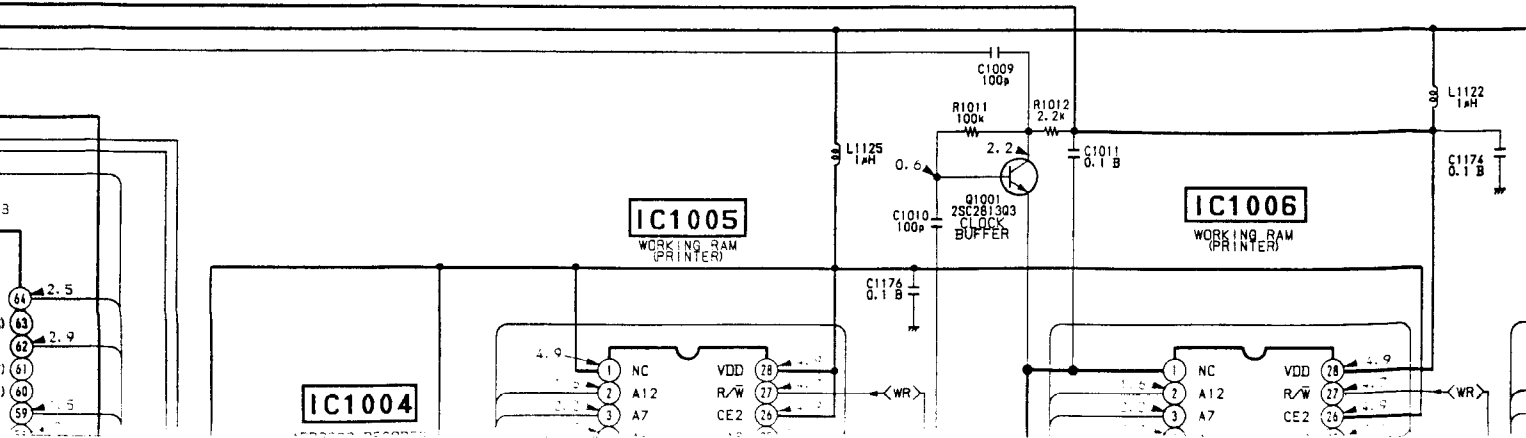
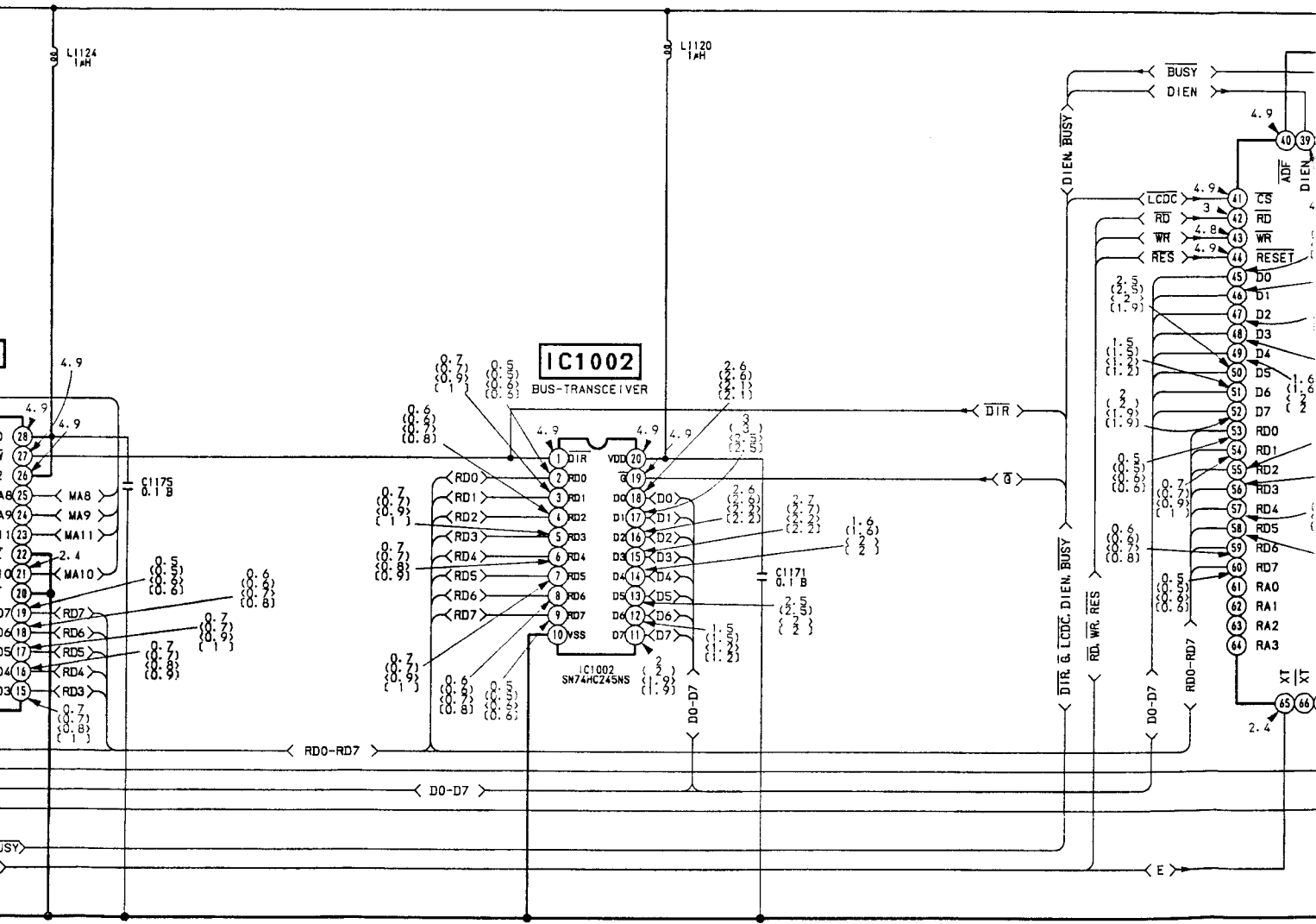
A
B
C
D
E
F
G
H
I
J

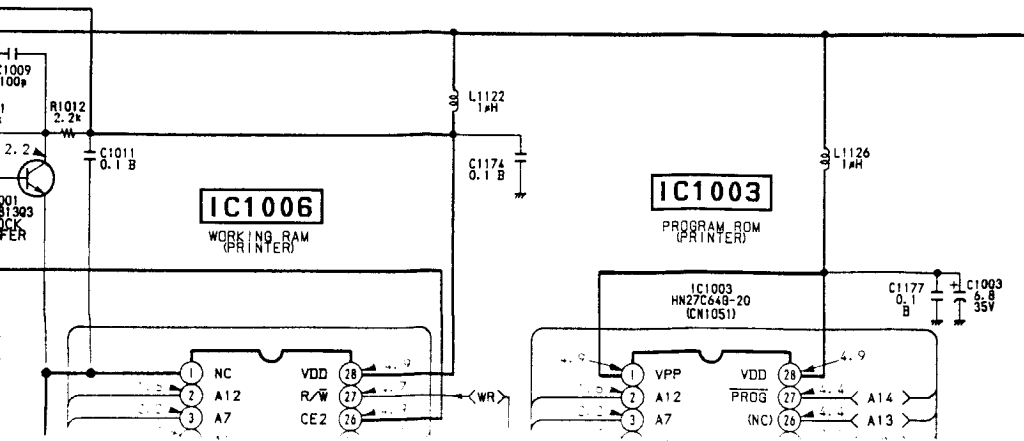
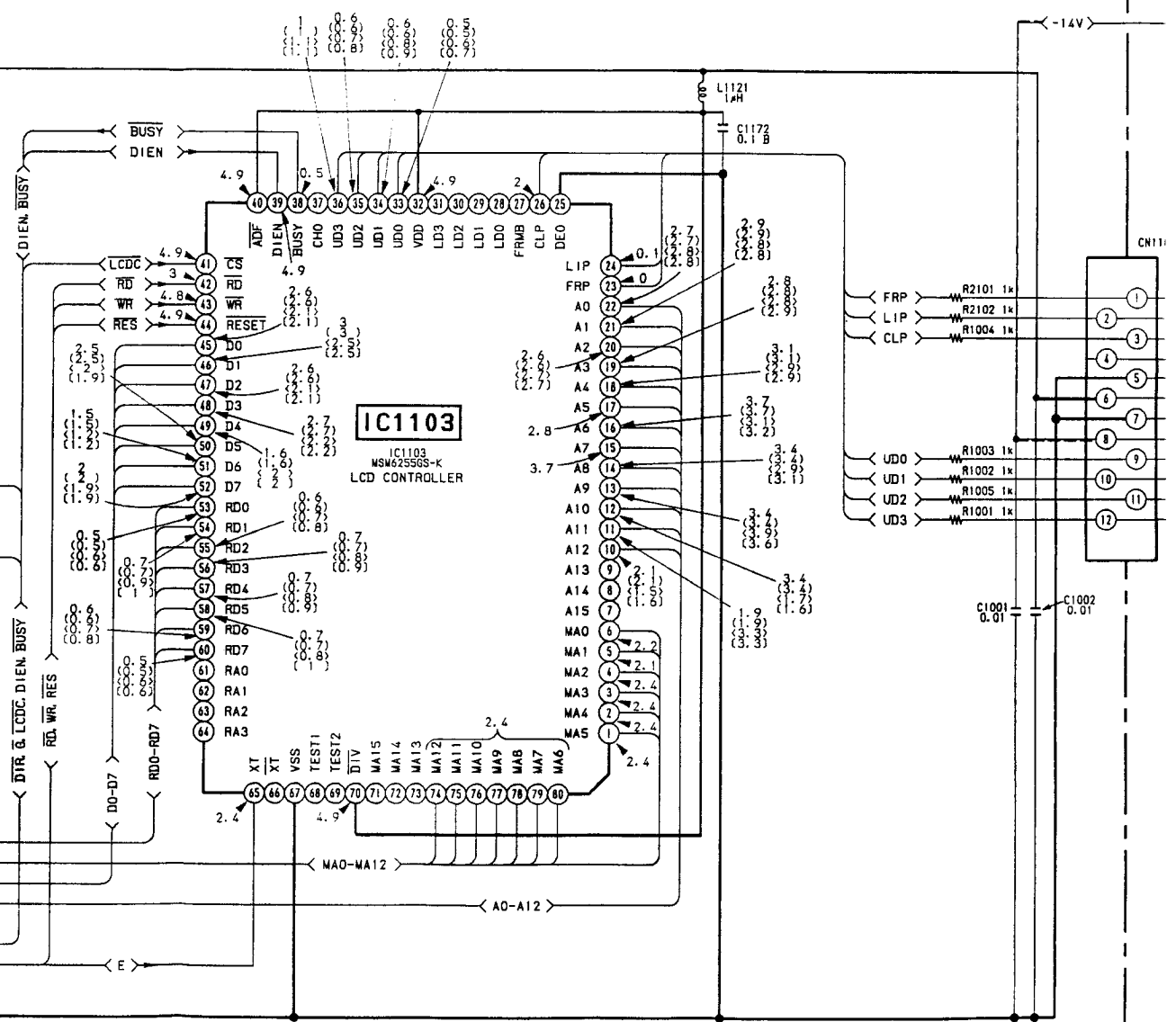
[MICRO COMPUTER BOARD (2/3)]
 (LCD)

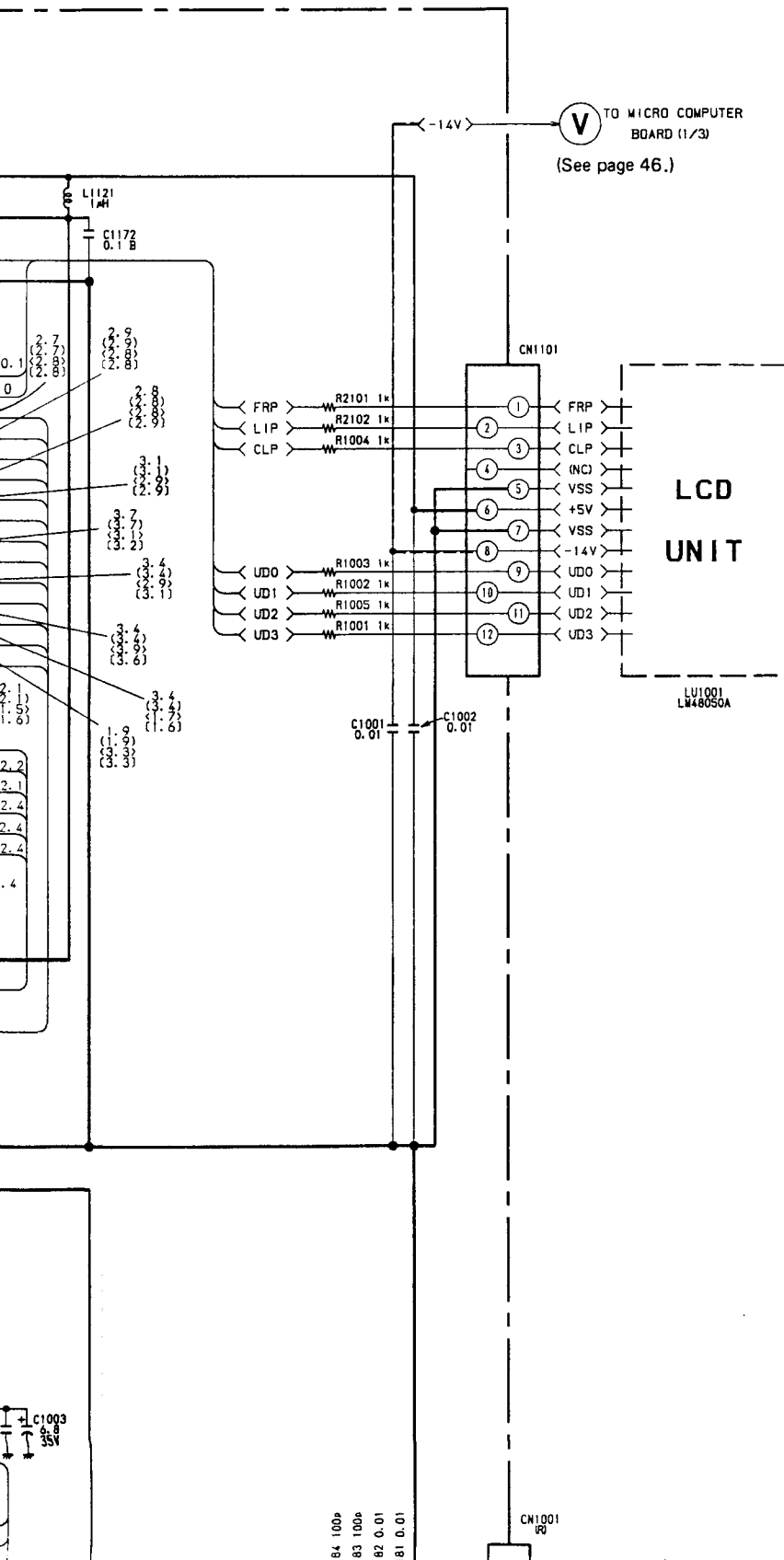
TO MICRO COMPUTER BOARD (1/3, 3/3)
 (See page 46,47.)

TO MICRO COMPUTER BOARD (3/3)
 (See page 51.)



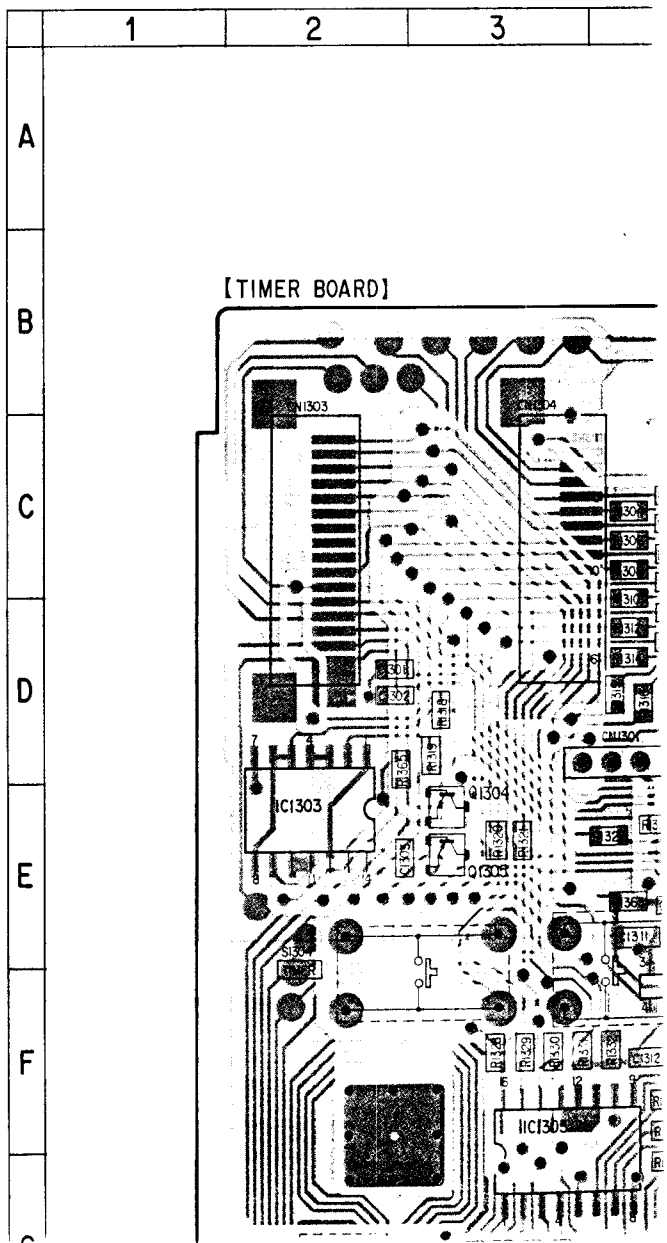






4-16. PRINTED WIRING BOARDS
 - TIMER/10 KEY/FUNCTION KEY SECTION -

- Refer to page 19 for note.
- Refer to page 17 for Semiconductor Lead Layouts.



● Semiconductor Location

Ref. No.	Location	Ref. No.	Location
D1301	B-5	D1501	K-9
D1302	B-4	D1502	J-14
D1303	B-5		
D1304	C-4	IC1301	C-5
D1305	C-5	IC1302	D-5
D1306	C-4	IC1303	E-2
D1307	C-5	IC1304	F-4
D1308	C-4	IC1305	F-3
D1309	C-5	IC1306	H-4
D1310	C-4	IC1307	G-3
D1311	C-5		
D1312	D-4	Q1301	D-6
D1313	D-5	Q1302	E-6
D1314	D-4	Q1303	E-6
D1315	D-5	Q1304	E-3
D1316	D-4	Q1305	E-3
D1317	I-6	Q1306	G-6
D1351	D-6	Q1307	H-7
D1352	H-7		

8

9

10

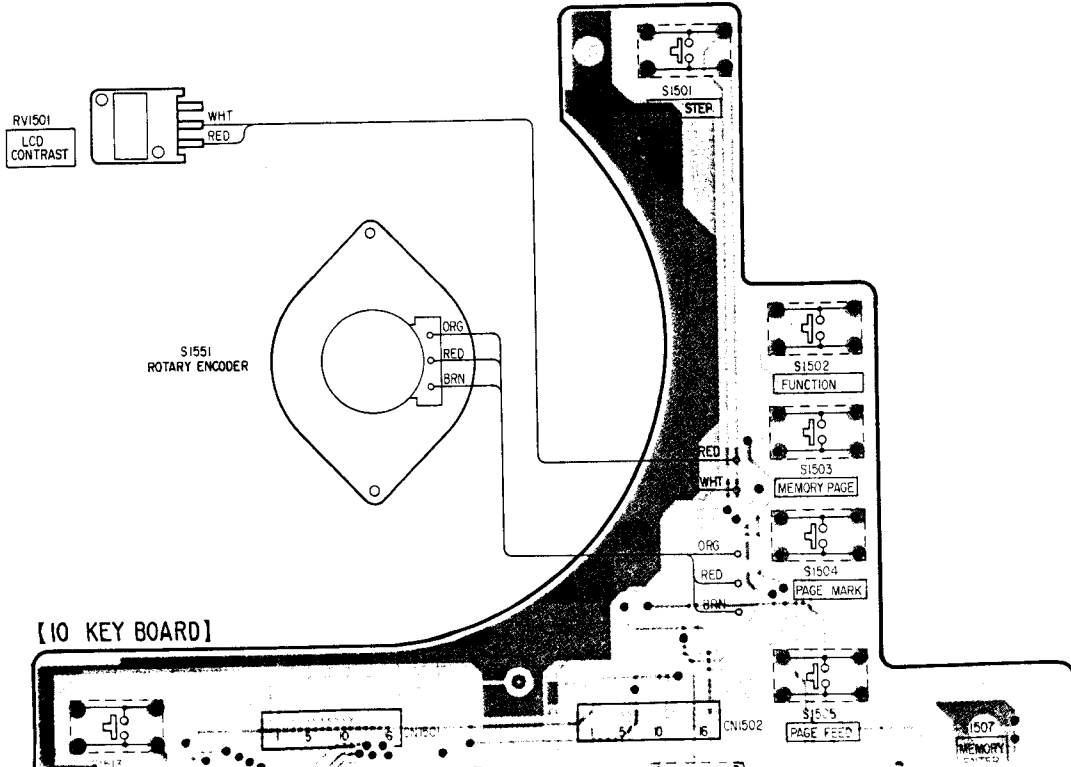
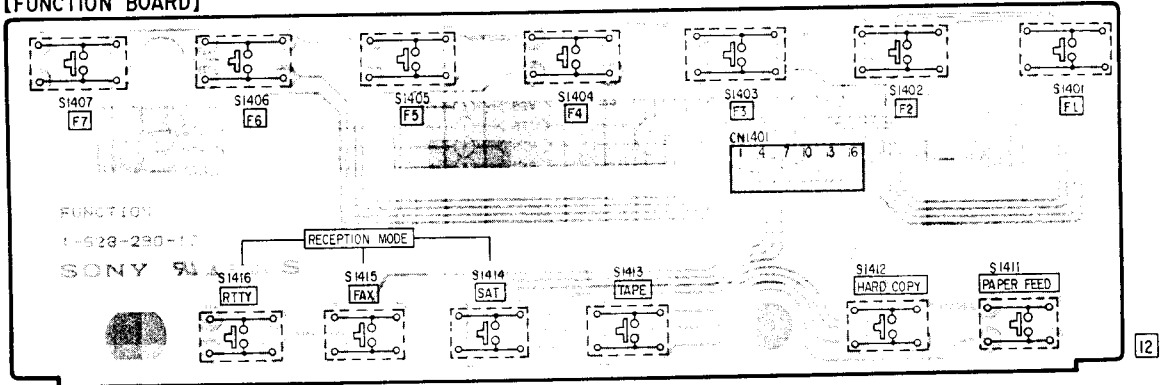
11

12

13

14

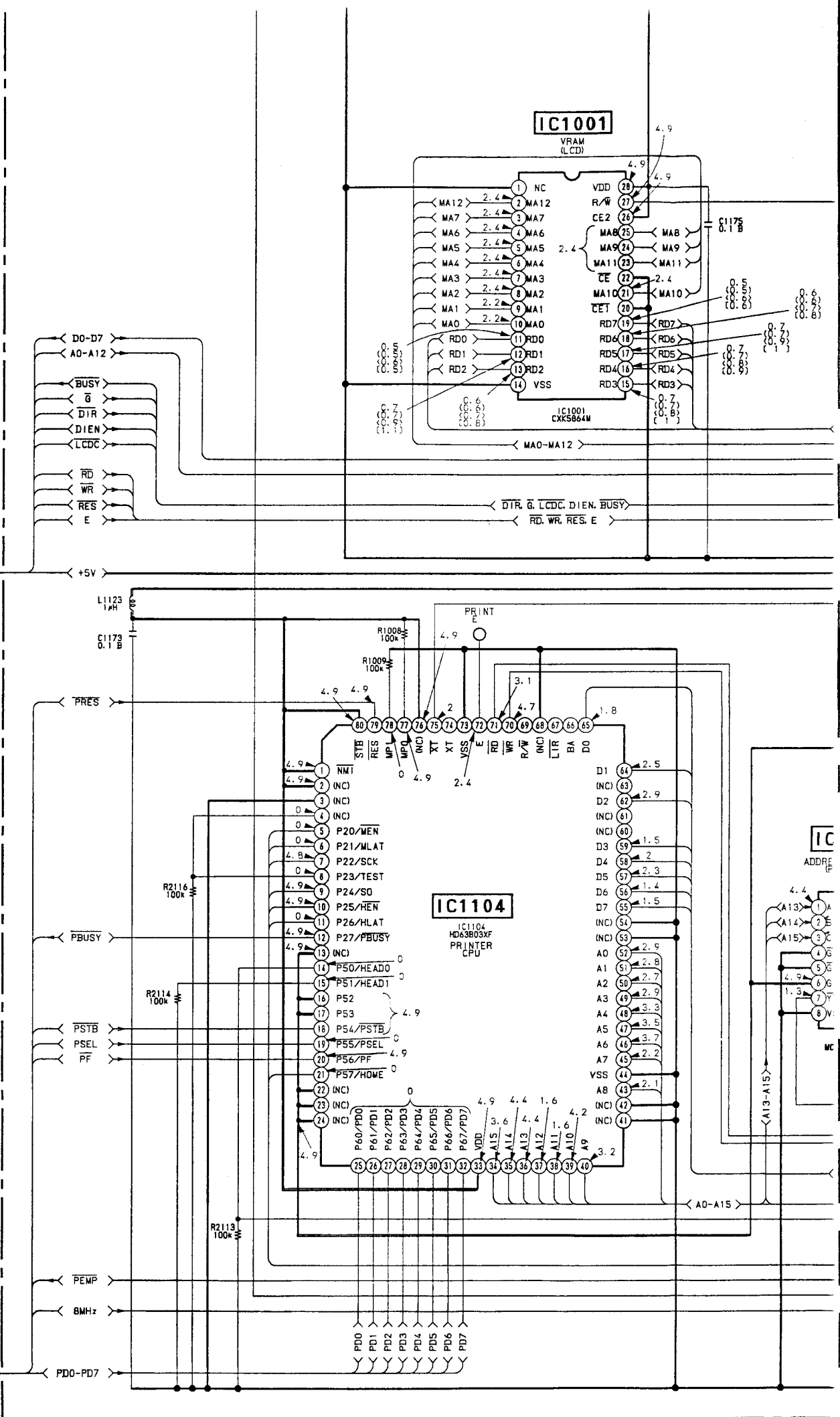
[FUNCTION BOARD]

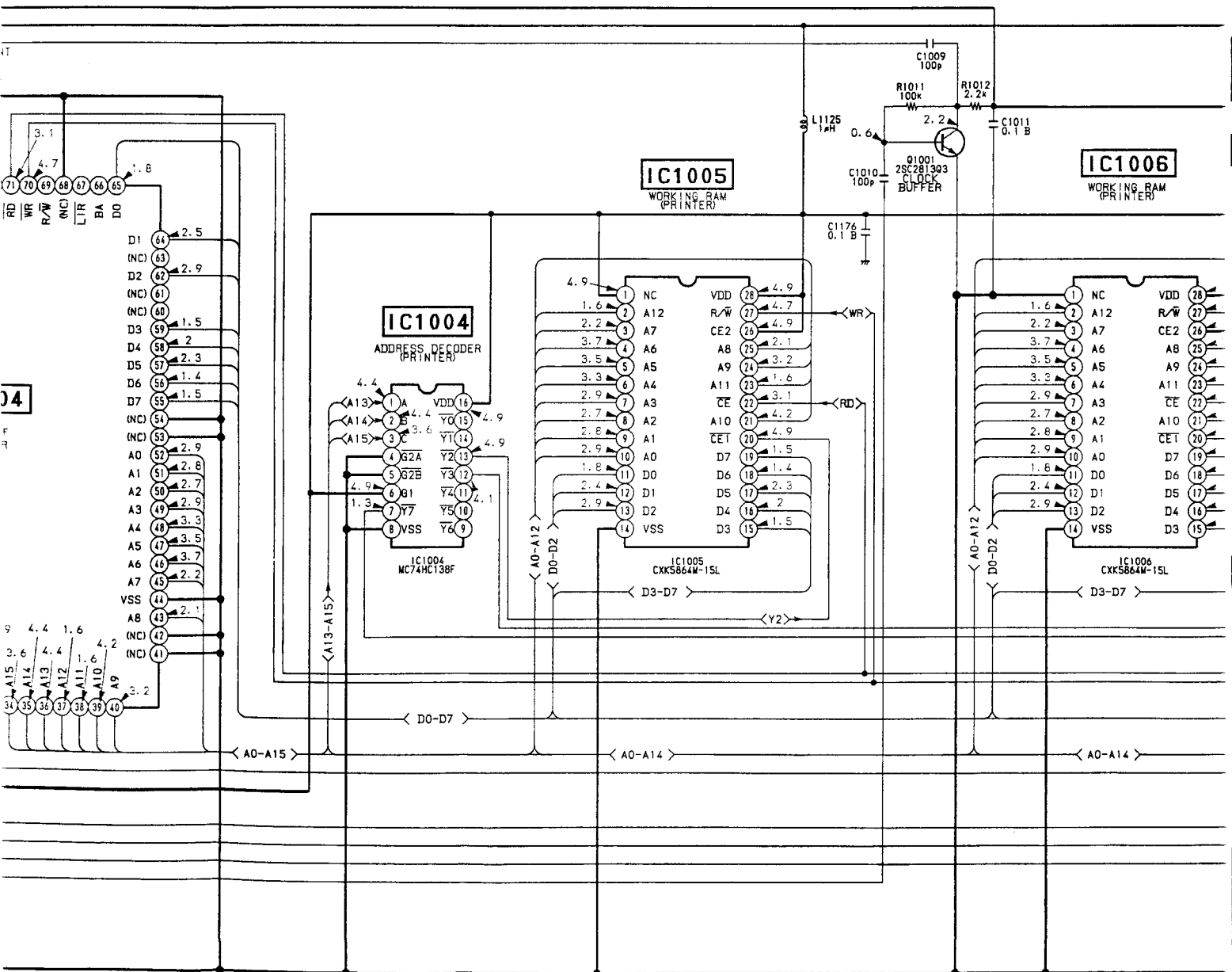
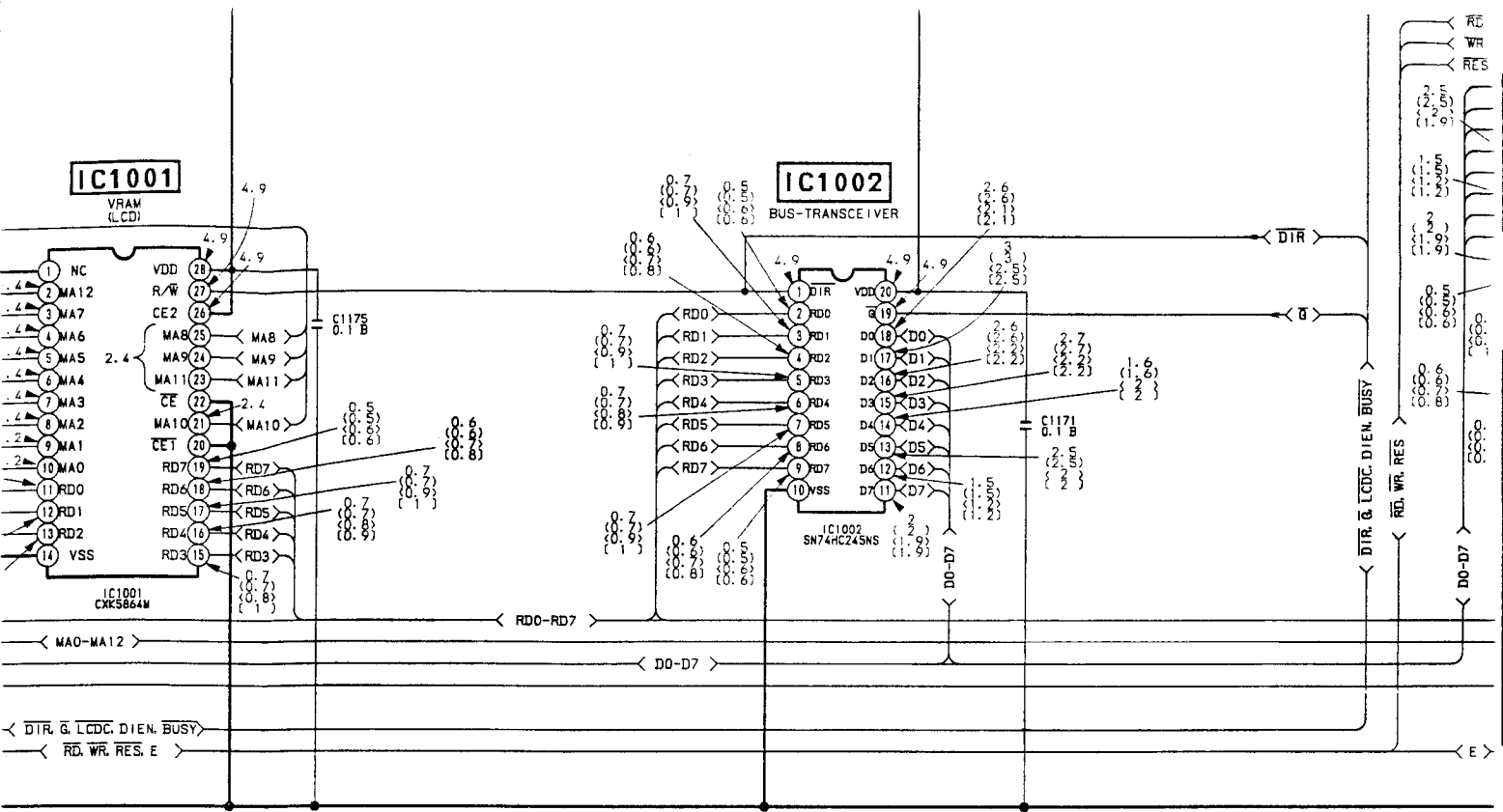


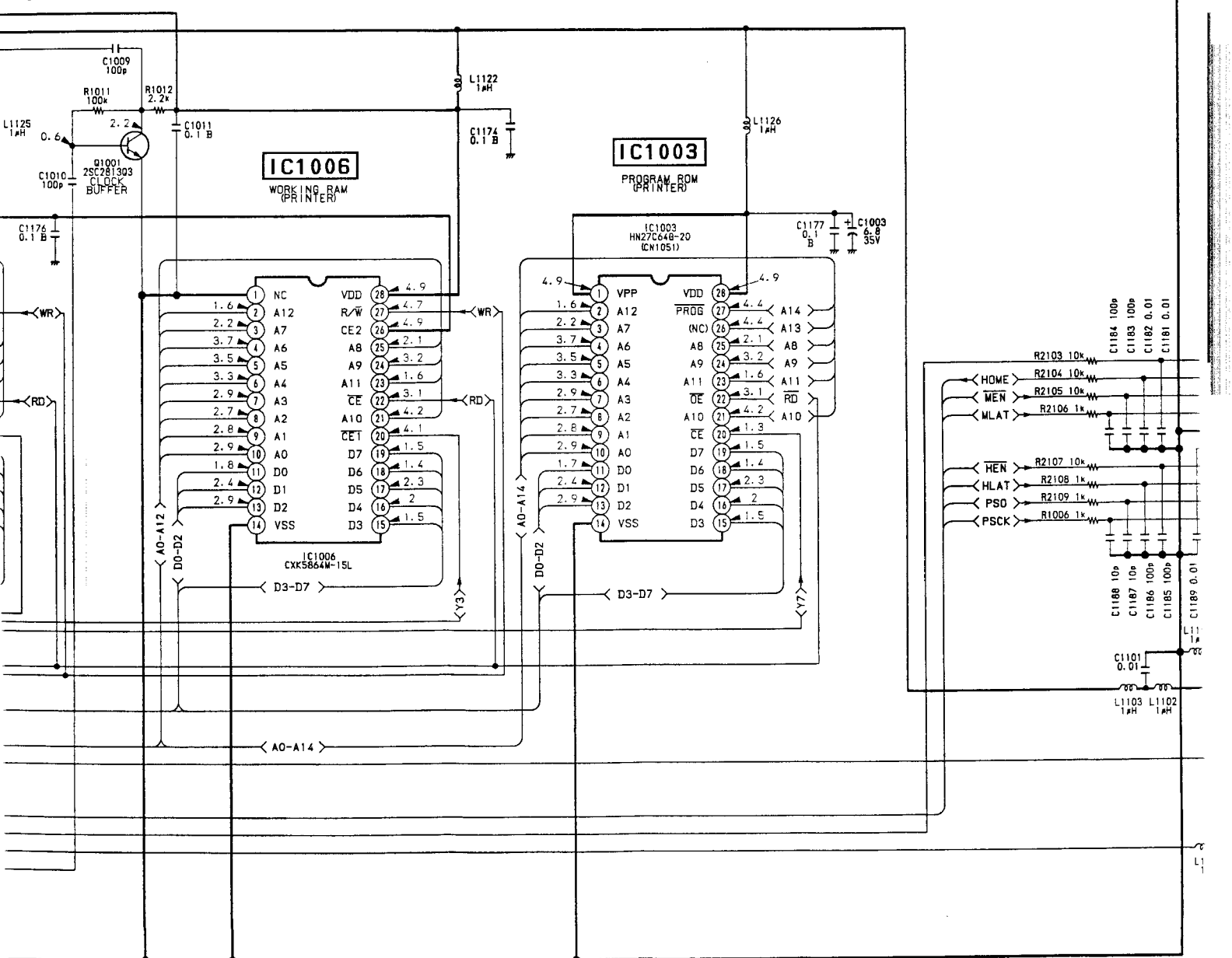
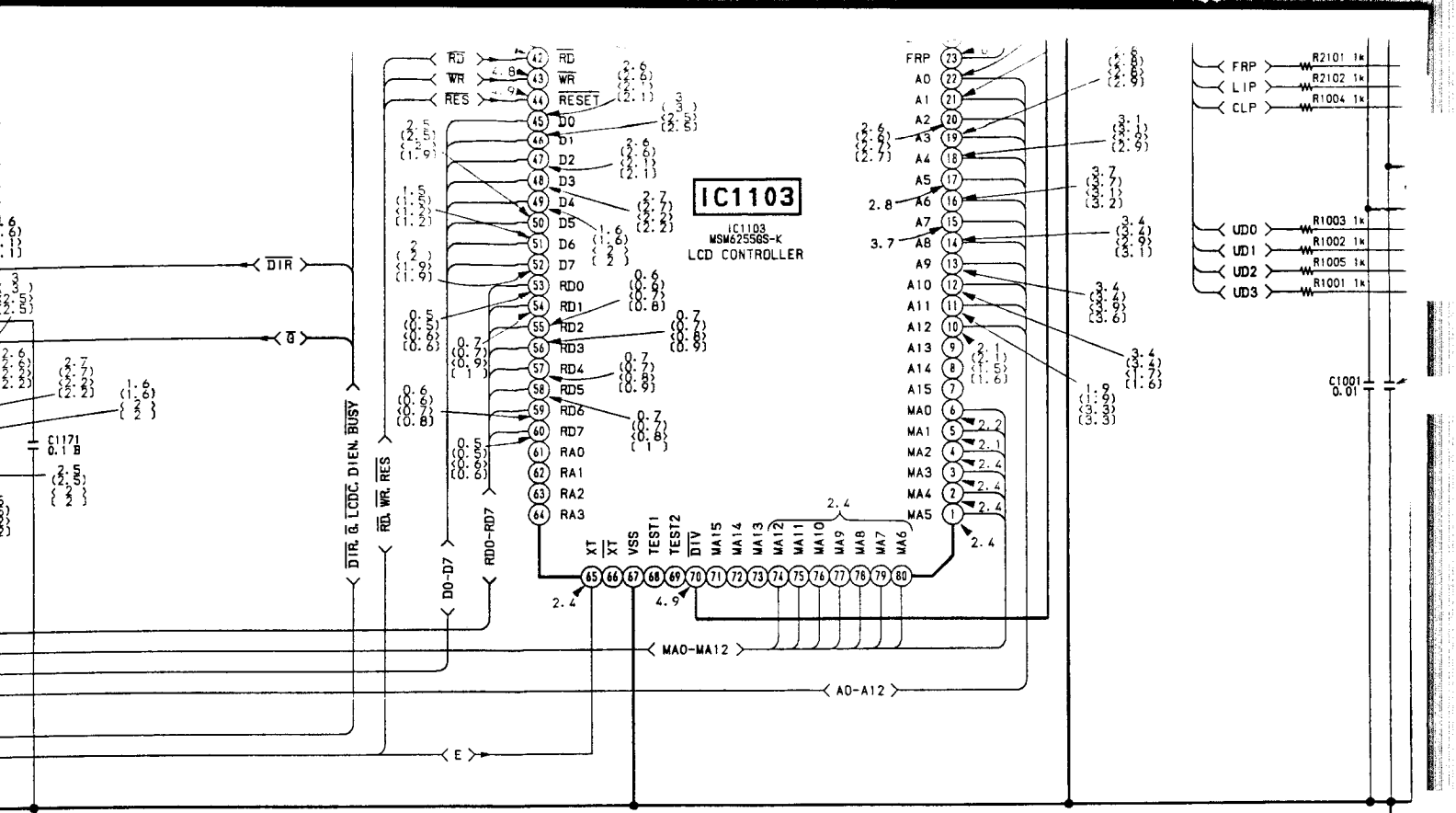
C
D
E
F
G
H
I
J
K
L
M
N

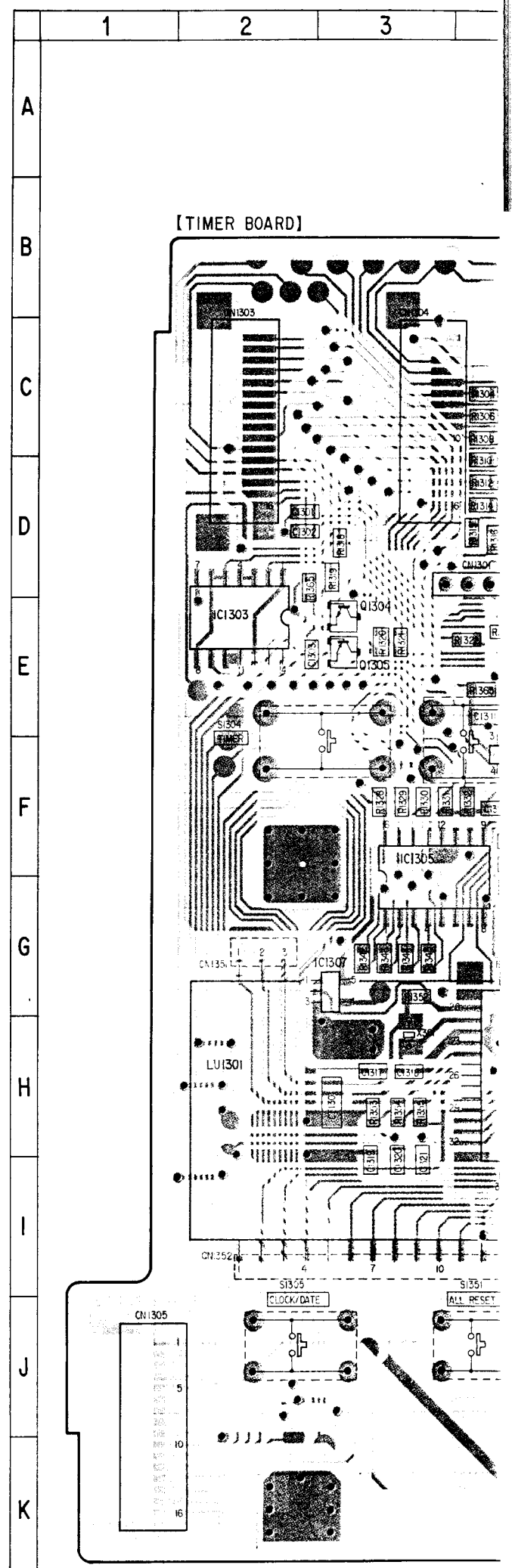
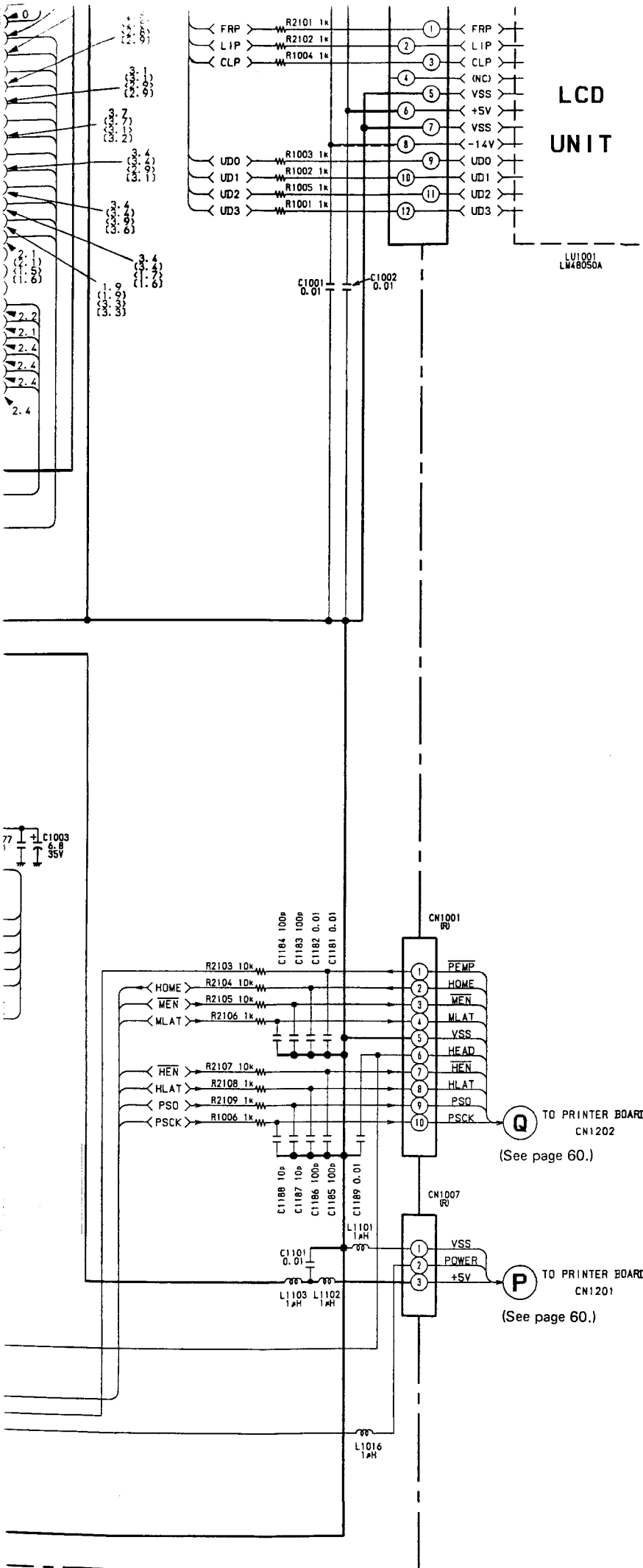
TO MICRO COMPUTER BOARD (3/3) (X)
(See page 51.)

TO MICRO COMPUTER BOARD (3/3) (Y)
(See page 51.)









2

3

4

5

6

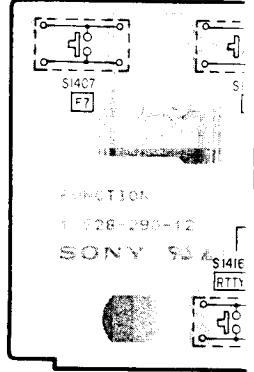
7

8

9

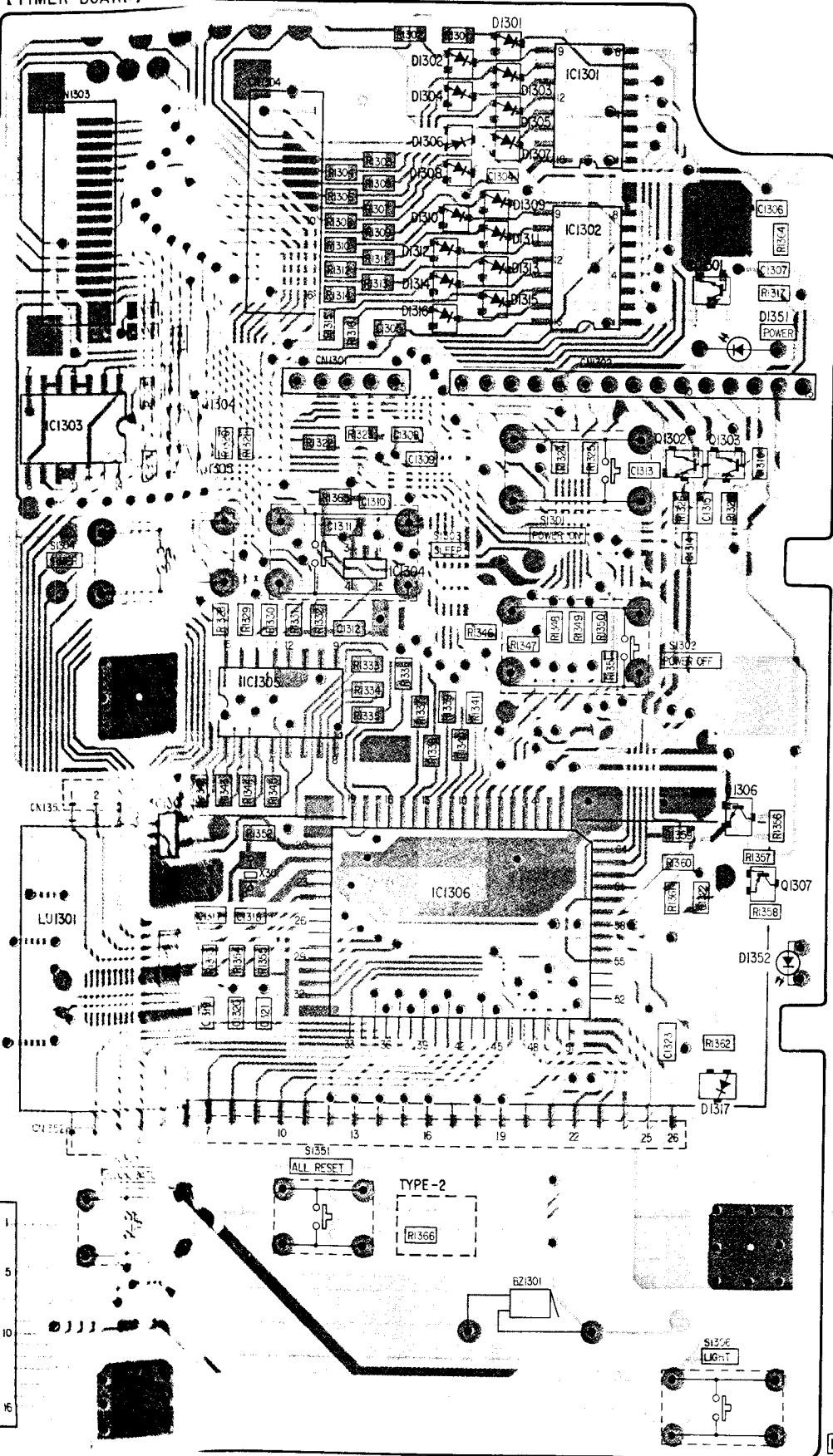
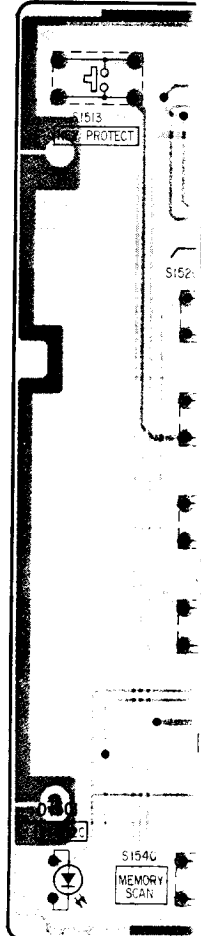
[TIMER BOARD]

[FUNCTION BOARD]

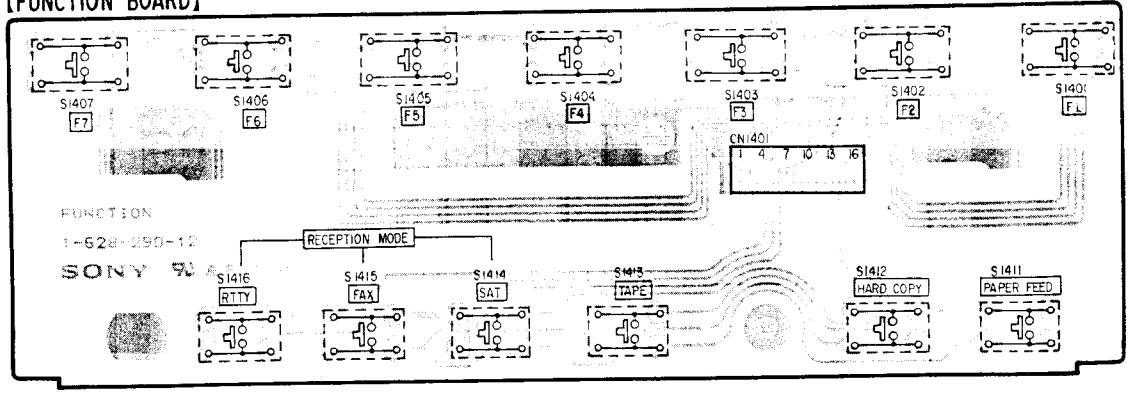


S152
ROTARY E

[10 KEY BOARD]

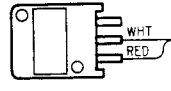


[FUNCTION BOARD]

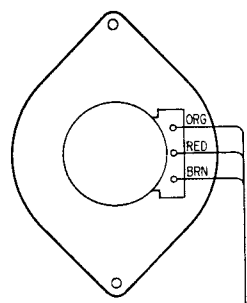


12

RV1501
LCD
CONTRAST



S1551
ROTARY ENCODER



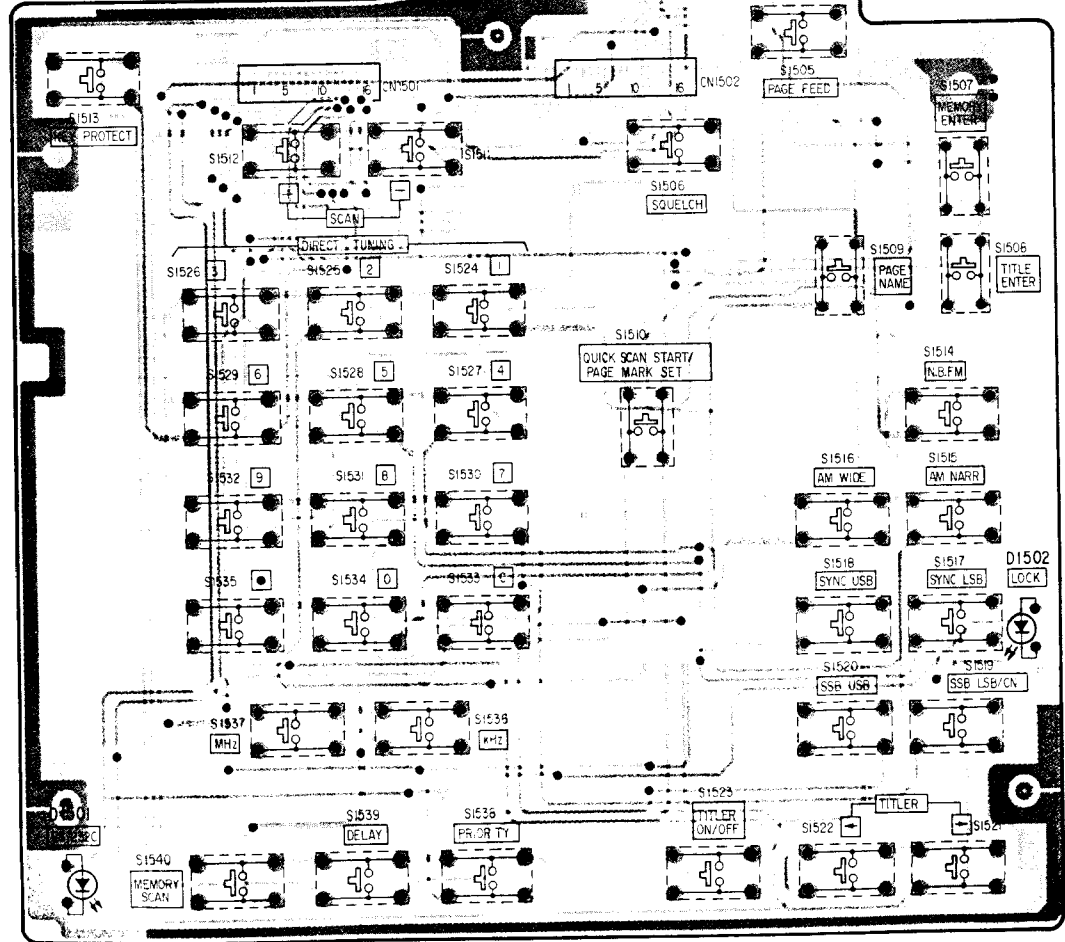
S1501
STEP

S1502
FUNCTION

S1503
MEMORY PAGE

S1504
PAGE MARK

[10 KEY BOARD]



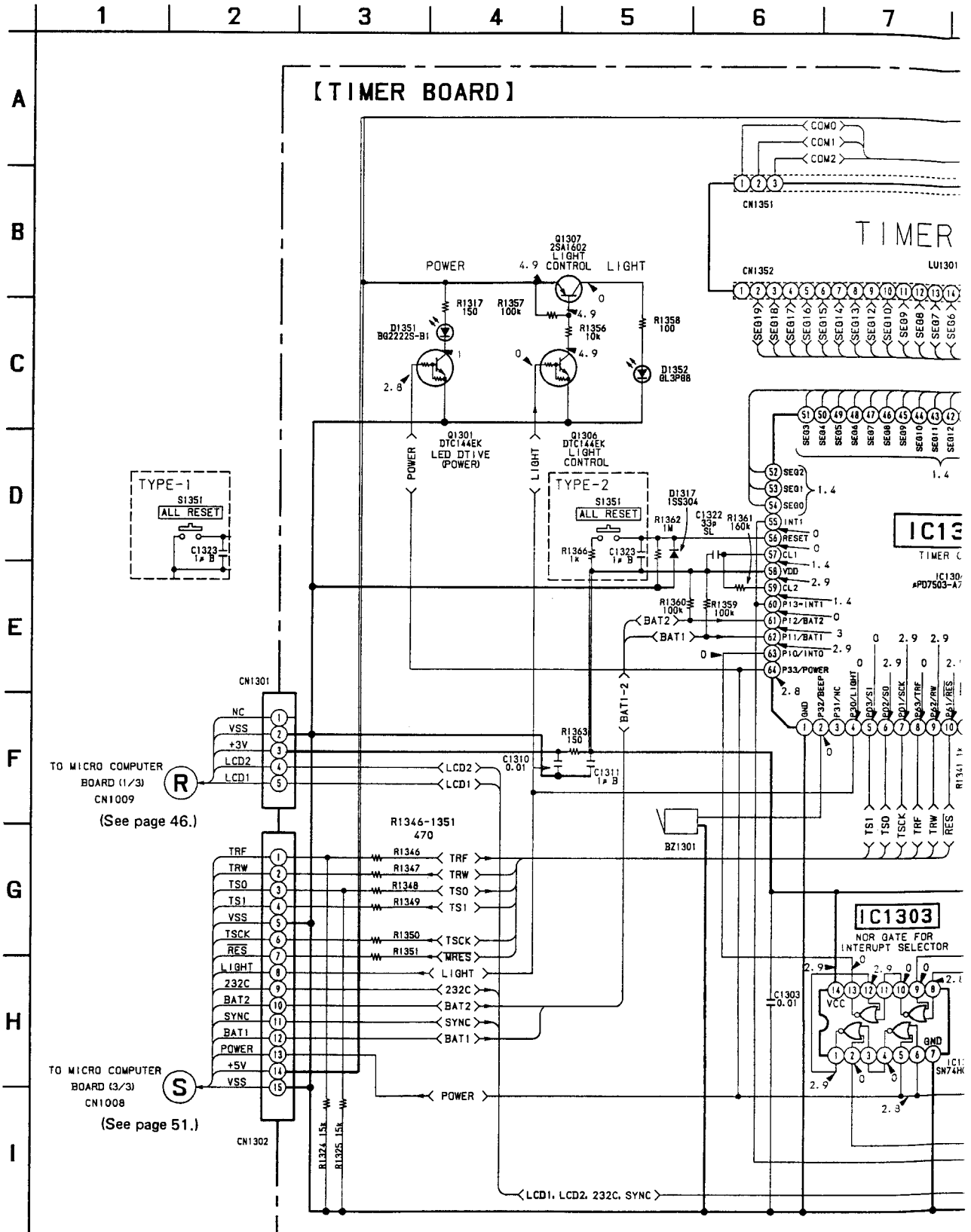
12



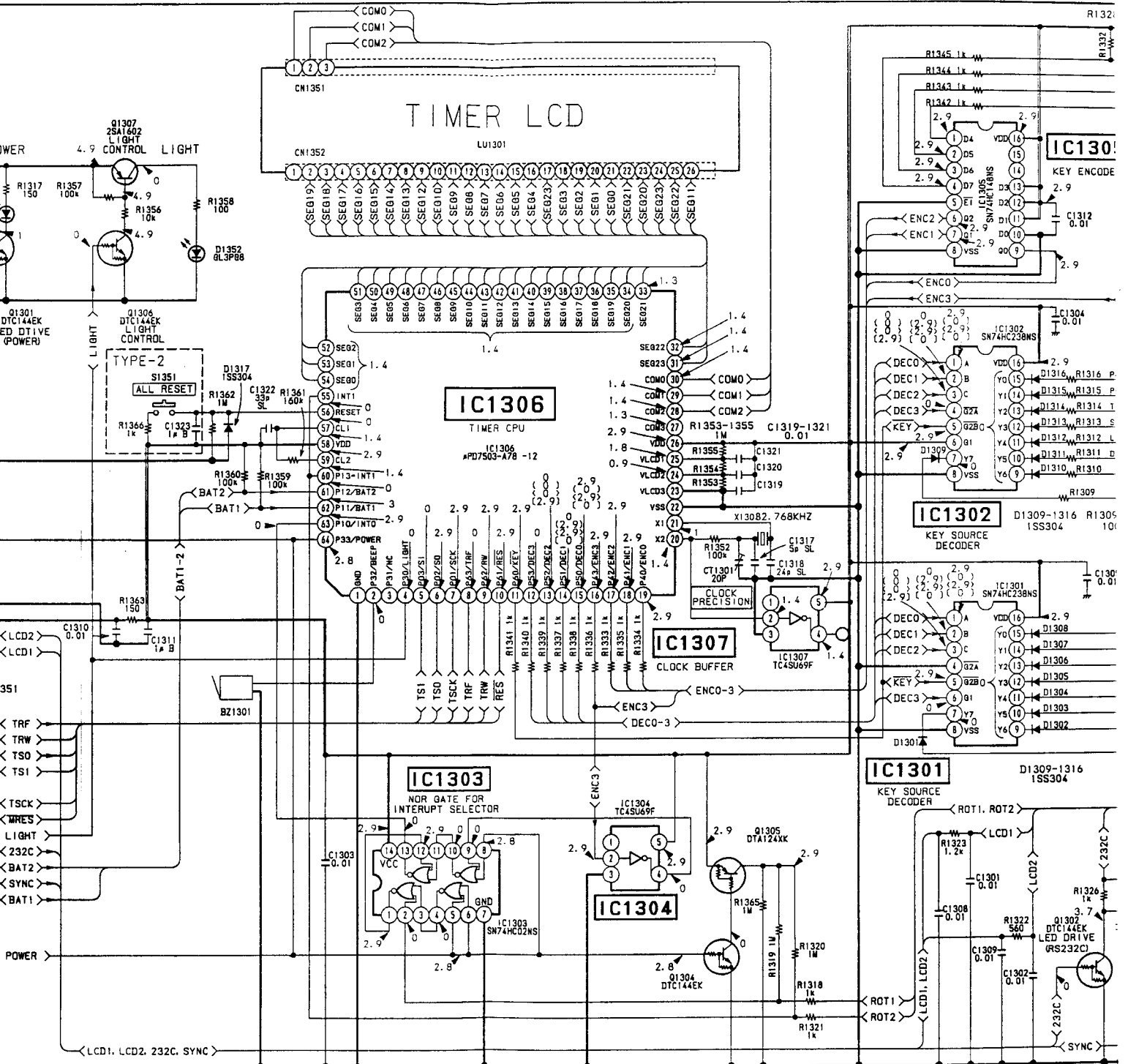
12

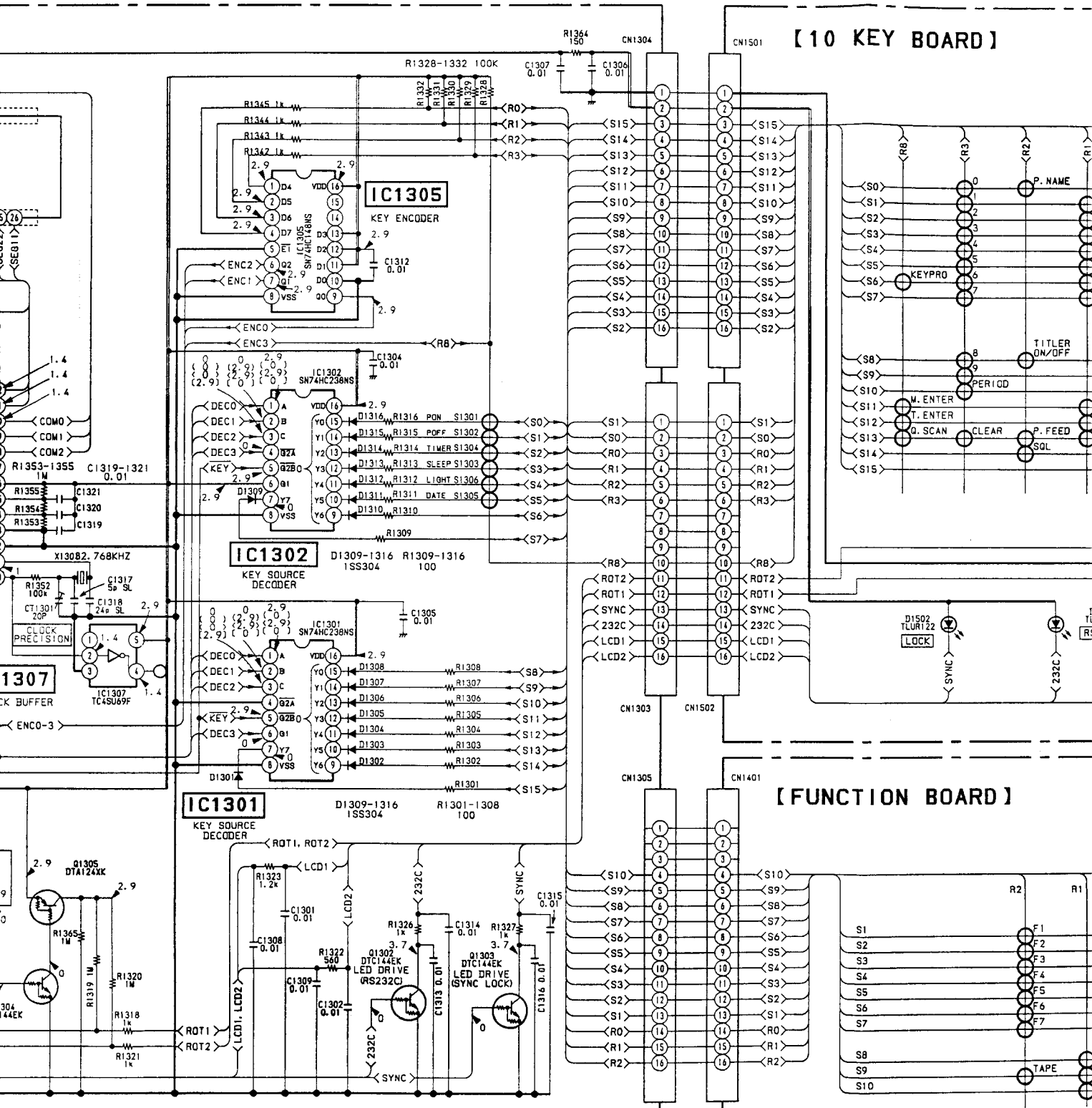
4-17. SCHEMATIC DIAGRAM
 - TIMER/10 KEY/FUNCTION KEY SECTION -

- Refer to page 23 for note.



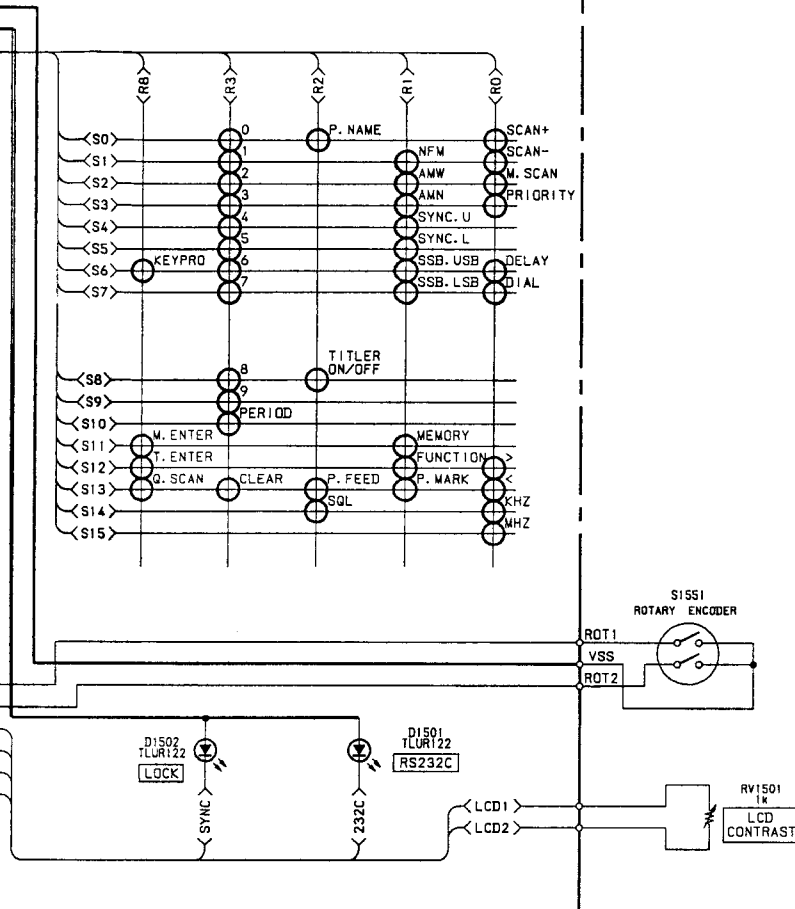
BOARD]



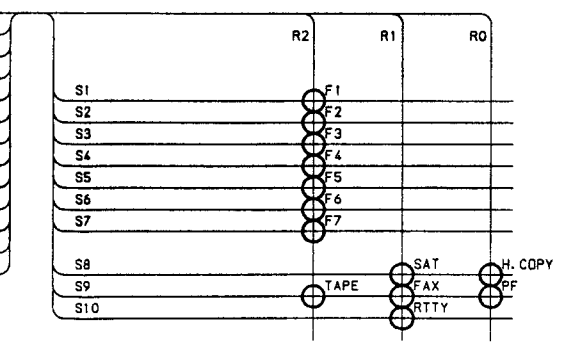


16 17 18 19 20 21 22

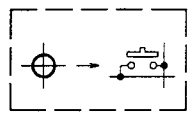
[10 KEY BOARD]



[FUNCTION BOARD]

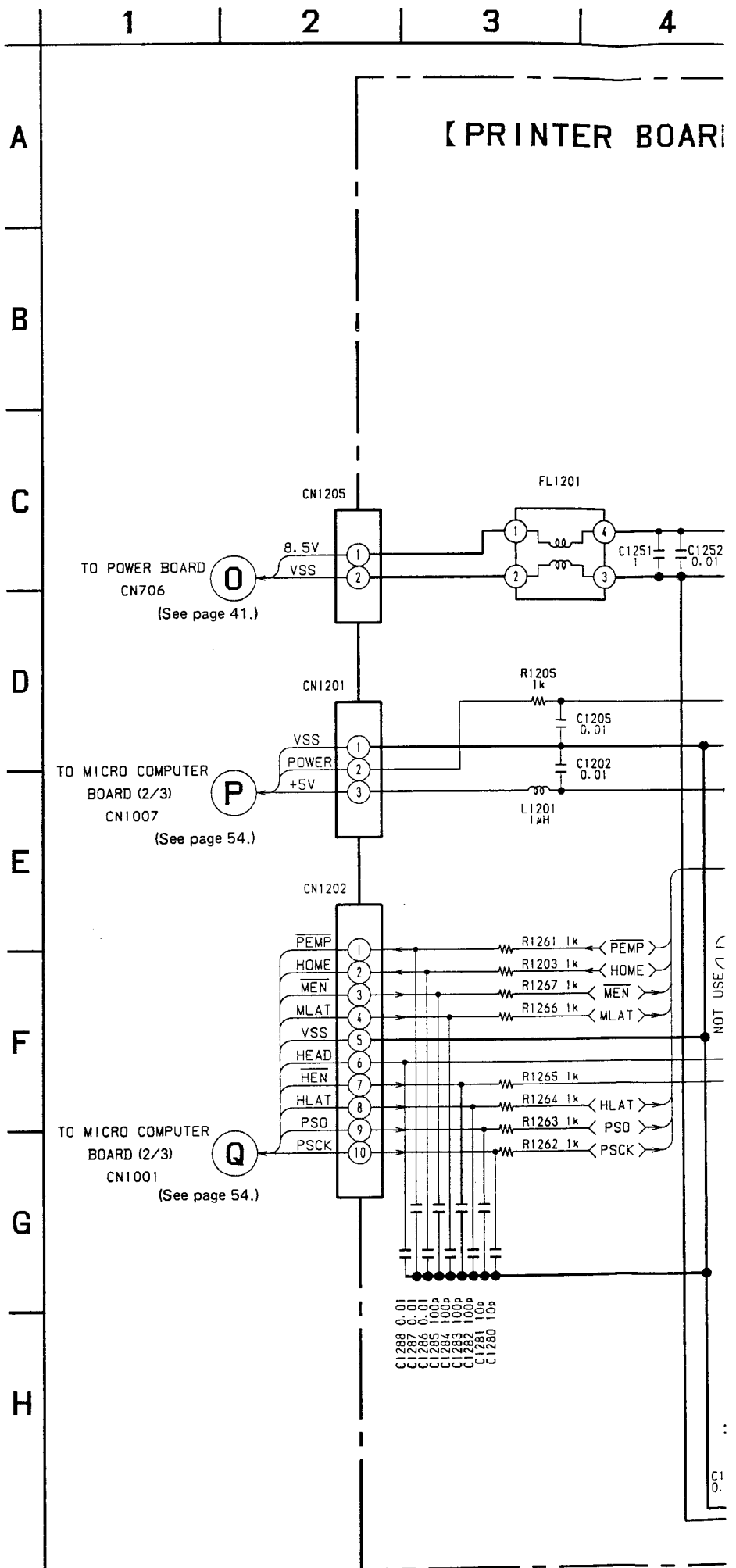


NO MARK : AM (1023KHZ)
 () : FM (98.1MHZ)
 < > : SAT (GMS)
 () : FAX (3622.5KHZ)

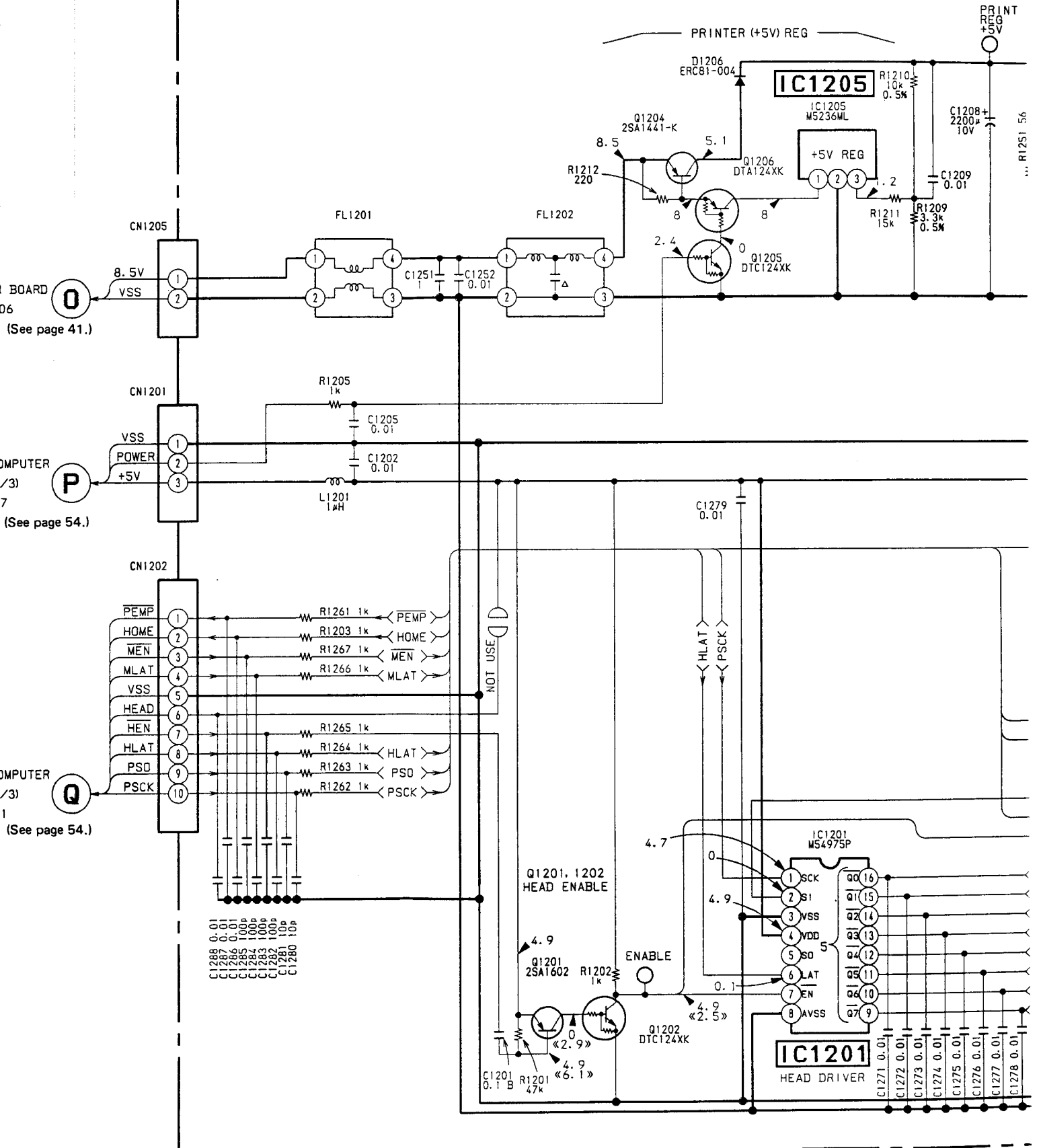


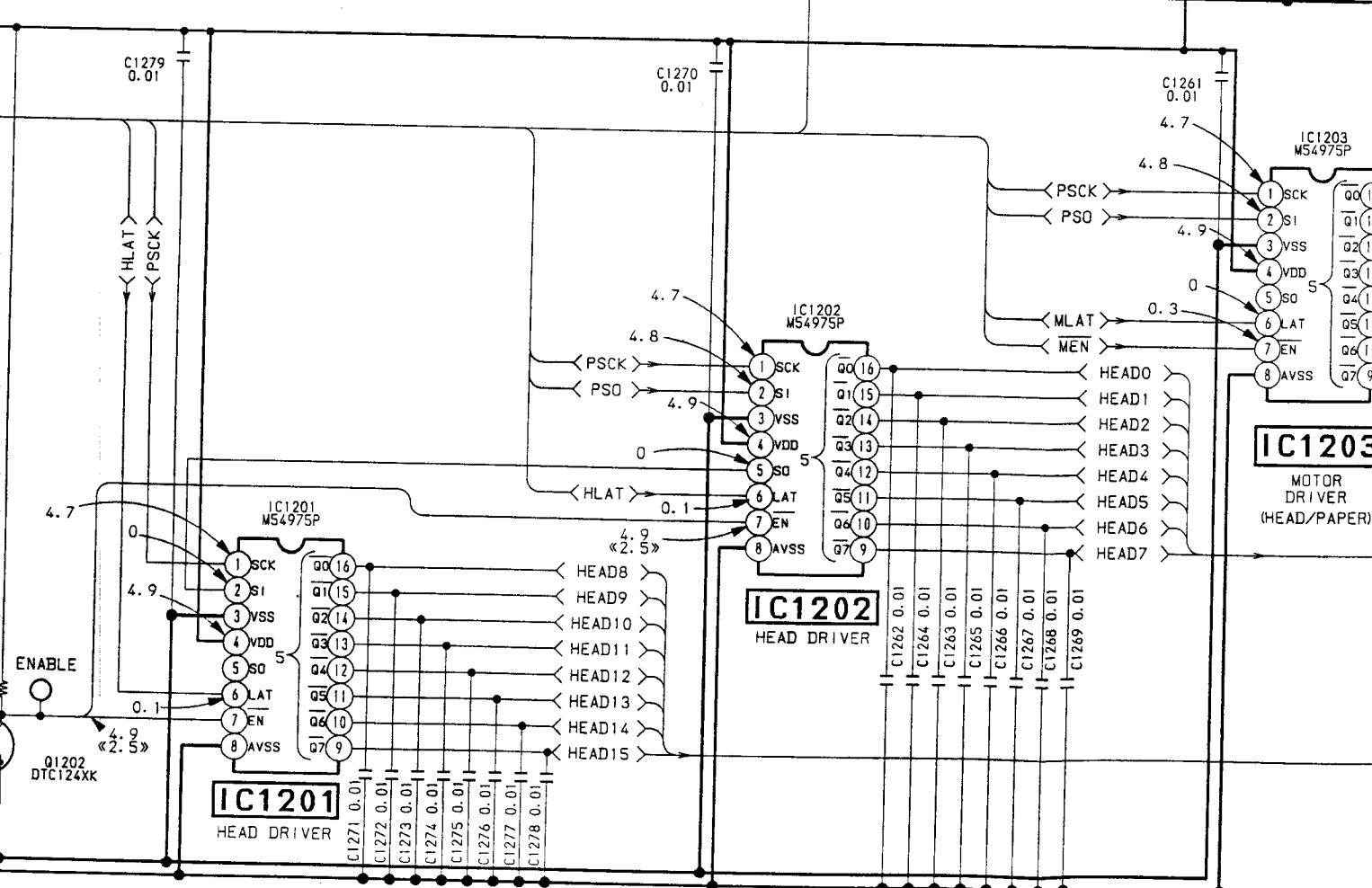
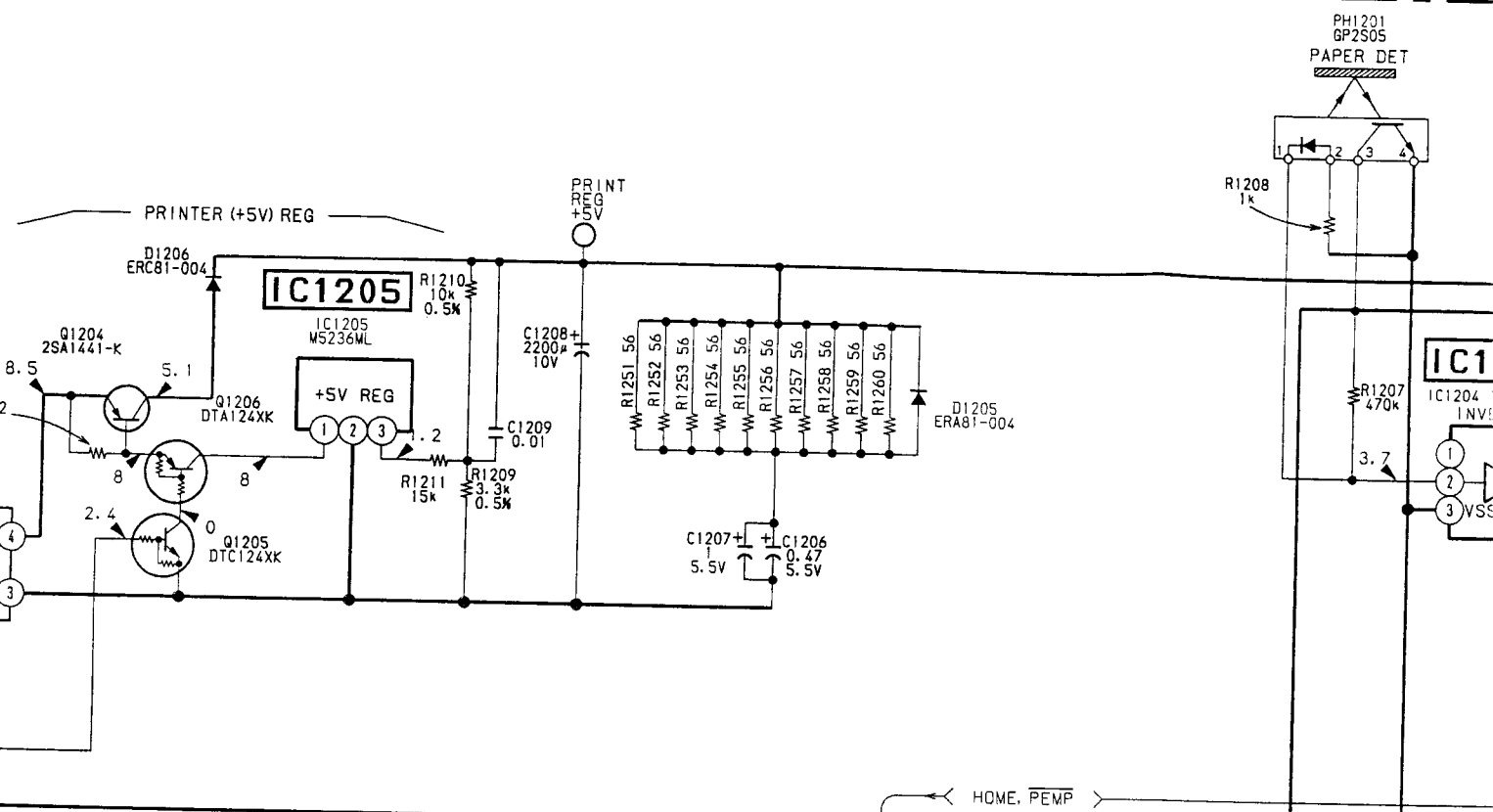
DIAGRAMS INDEICATION	UNIT INDEICATION	REF. NO.
PON	POWER ON	S1301
POFF	POWER OFF	S1302
SLEEP	SLEEP	S1303
TIMER	TIMER	S1304
DATE	DATE	S1305
LIGHT	LIGHT	S1306
F1	F1	S1401
F2	F2	S1402
F3	F3	S1403
F4	F4	S1404
F5	F5	S1405
F6	F6	S1406
F7	F7	S1407
PF	PAPER FEED	S1411
H. COPY	HARD COPY	S1412
TAPE	TAPE	S1413
SAT	SAT	S1414
FAX	FAX	S1415
RTTY	RTTY	S1416
DIAL	DIAL STEP	S1501
FUNCTION	FUNCTION	S1502
MEMORY	MEMORY PAGE	S1503
P. MARK	PAGE MARK	S1504
P. FEED	PAGE FEED	S1505
SQL	SQUELCH	S1506
M. ENTER	MEMORY ENTER	S1507
T. ENTER	TITLE ENTER	S1508
P. NAME	PAGE NAME	S1509
Q. SCAN	QUICK SCAN START /PAGE MARK SET	S1510
SCAN -	SCAN-	S1511
SCAN +	SCAN+	S1512
KEYPRO	KEY PROTECT	S1513
NFM	N.B. FM	S1514
AMN	AM NARR	S1515
AMW	AM WIDE	S1516
SYNC L	SYNC LSB	S1517
SYNC U	SYNC USB	S1518
SSB LSB	SSB LSB/CN	S1519
SSB USB	SSB USB	S1520
>	TITLER →	S1521
<	TITLER ←	S1522
TITLER ON/OFF	TITLER ON/OFF	S1523
1	1	S1524
2	2	S1525
3	3	S1526
4	4	S1527
5	5	S1528
6	6	S1529
7	7	S1530
8	8	S1531
9	9	S1532
C	C	S1533
0	0	S1534
PERIOD	(PERIOD)	S1535
KHZ	KHZ	S1536
MHZ	MHZ	S1537
PRIORITY	PRIORITY	S1538
DELAY	DELAY	S1539
M. SCAN	MEMORY SCAN	S1540

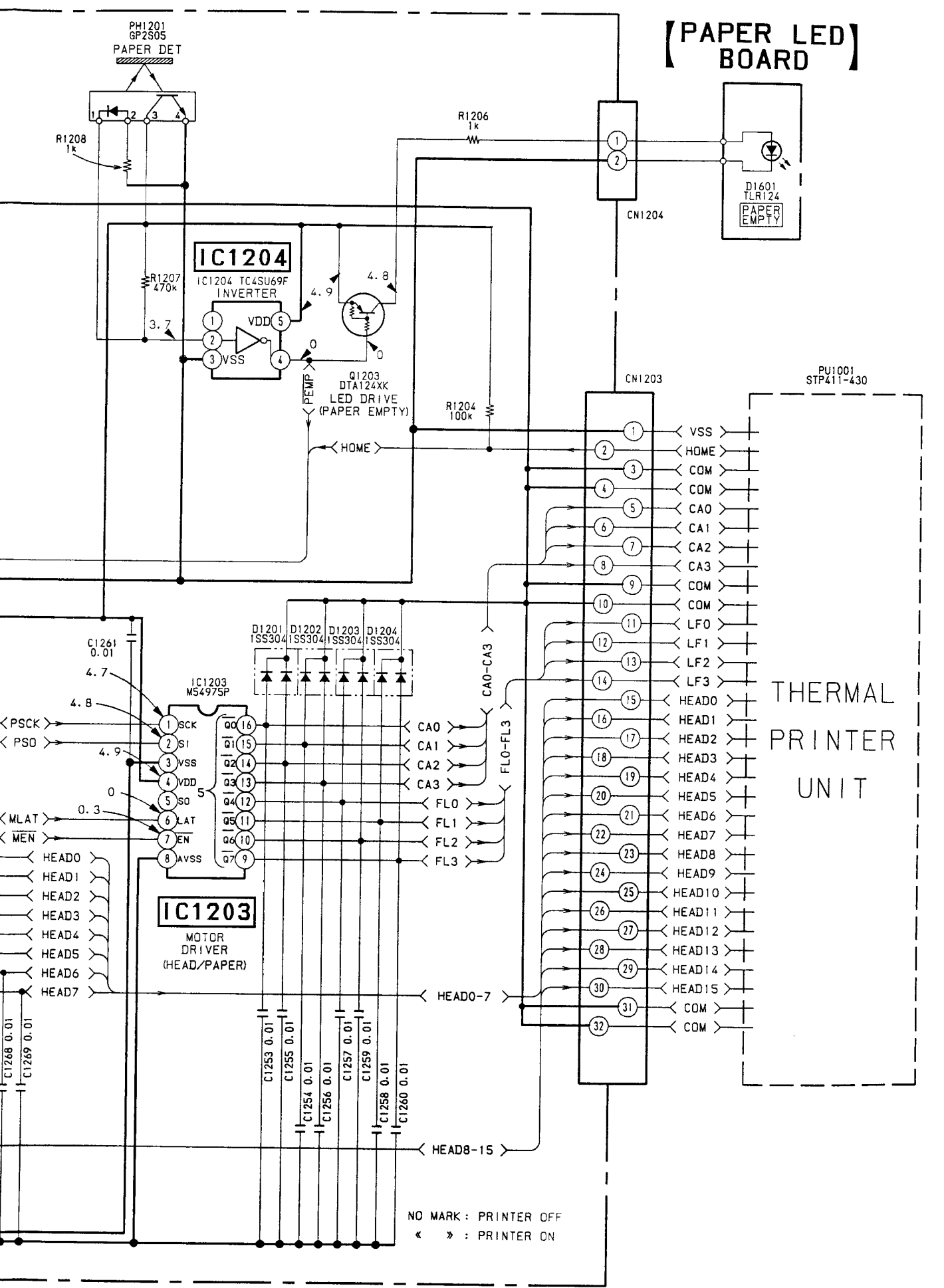
4-18. SCHEMATIC DIAGRAM
 - PRINTER SECTION -
 Refer to page 23 for note.



[PRINTER BOARD]



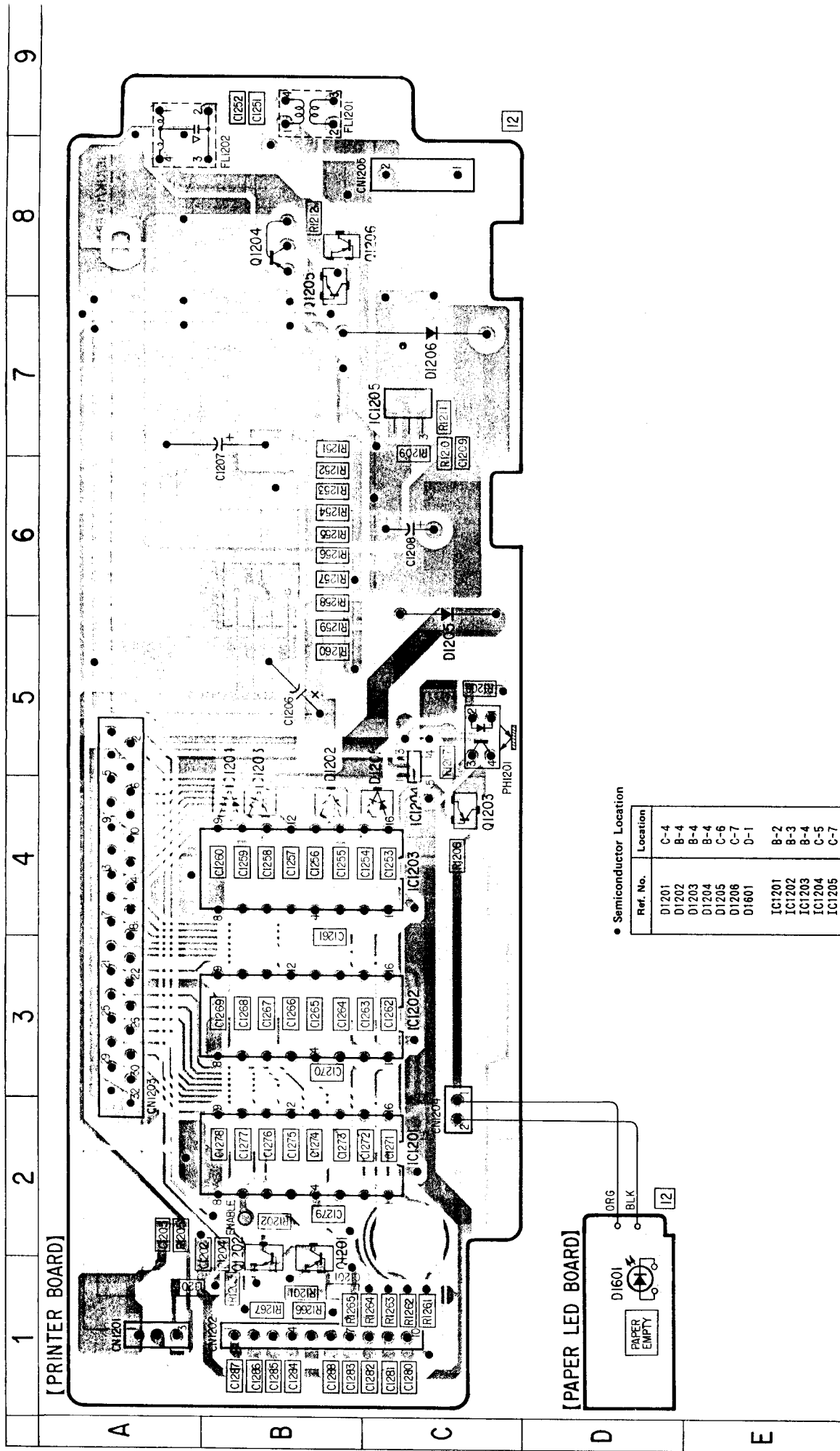




THERMAL
PRINTER
UNIT

4-19. PRINTED WIRING BOARDS
 - PRINTER SECTION -

- Refer to page 19 for note.
- Refer to page 17 for Semiconductor Lead Layouts.



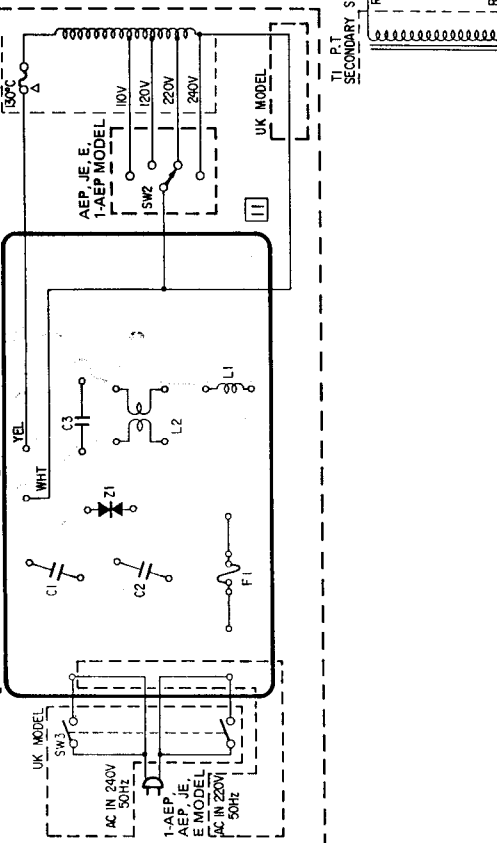
• Semiconductor Location

Ref. No.	Location
D1201	C-4
D1202	B-4
D1203	B-4
D1204	B-4
D1205	C-6
D1206	C-7
D1601	D-1
IC1201	B-2
IC1202	B-3
IC1203	B-4
IC1204	C-5
IC1205	C-7
Q1201	B-2
Q1202	B-2
Q1203	C-4
Q1204	B-8
Q1205	B-8
Q1206	B-8

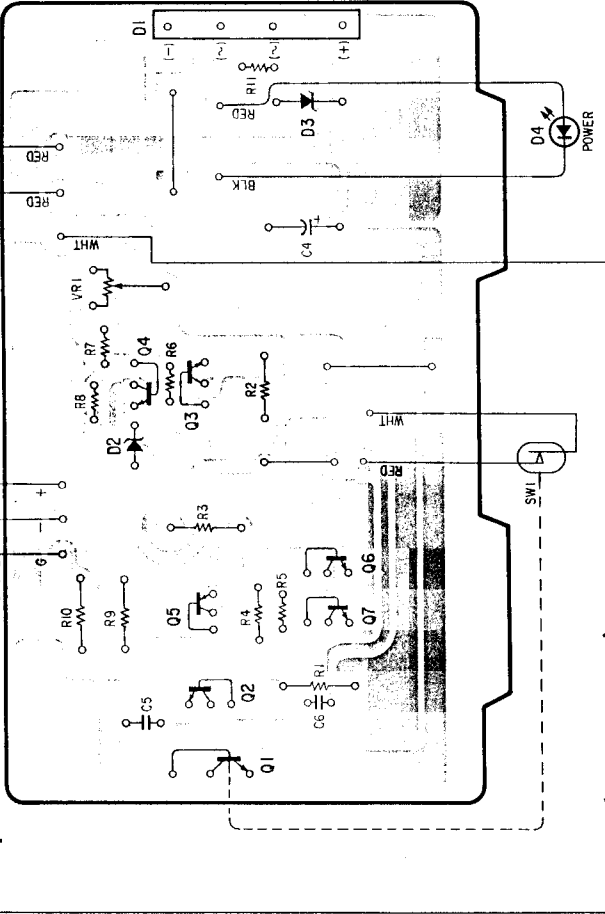
1 2 3 4 5 6 7 8 9 10

E/AEP/JE/UK/1-AEP MODEL

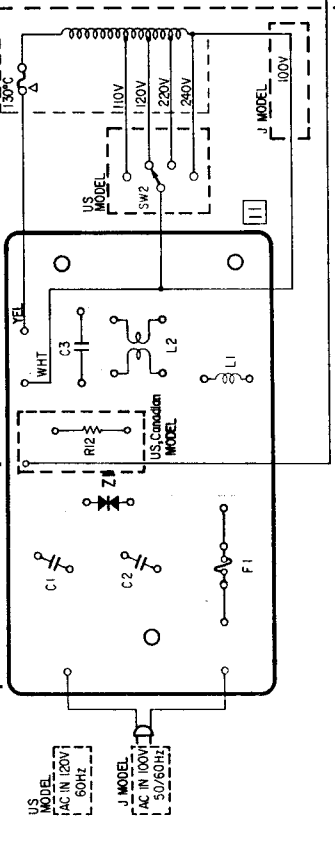
[LINE FILTER BOARD]



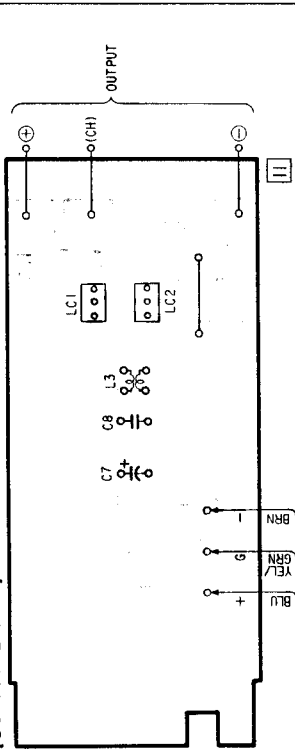
[POWER SUPPLY BOARD]



[LINE FILTER BOARD]

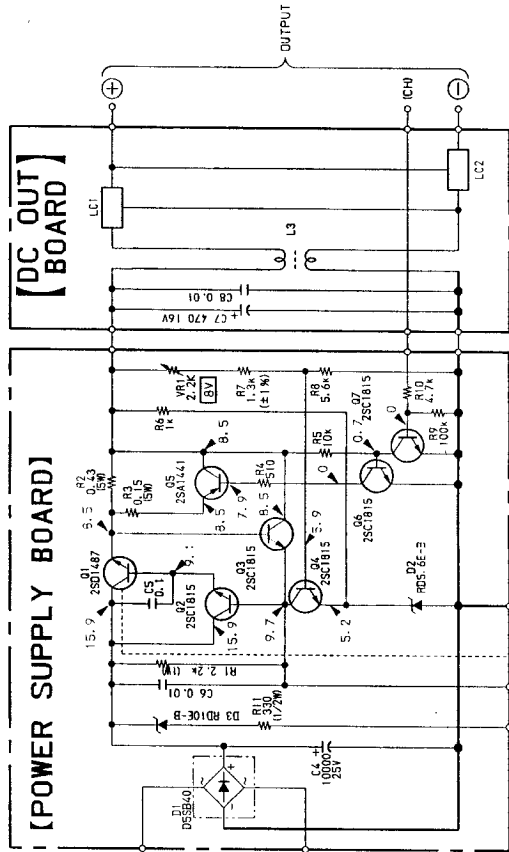
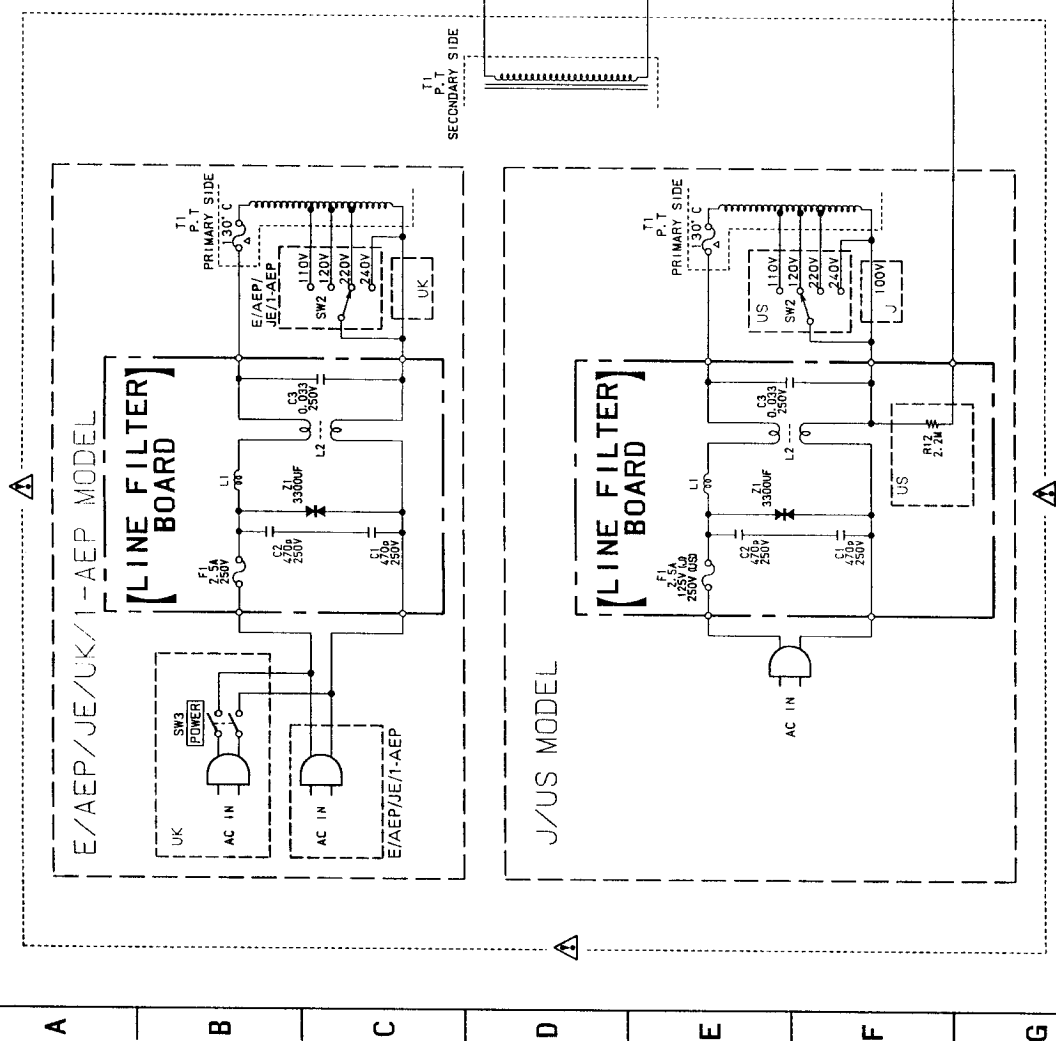


[DC OUT BOARD]



Note on Printed Wiring Boards:
- Pattern on the side which is seen.

1 2 3 4 5 6 7 8 9 10 11 12



Note on Schematic Diagram:

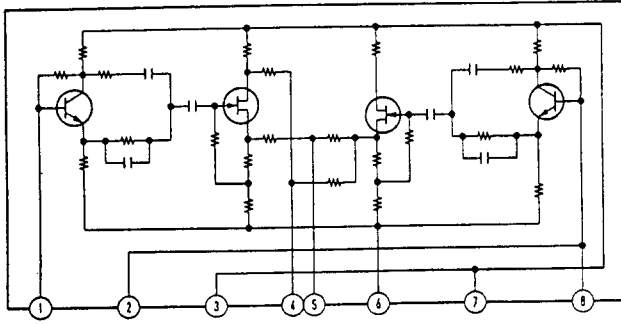
- All capacitors are in μF unless otherwise noted. pF : μF 50WV or less are not indicated except for electrolytics and tantalums.
- All resistors are in Ω and $\frac{1}{4}$ W or less unless otherwise specified.
- \square : B + Line.
- \square : adjustment for repair.
- Voltages are taken with a VOM. (Input impedance 10M Ω)
- Voltage variations may be noted due to normal production tolerances.
- Voltage are dc with respect to minus side of rectifier diode D1 under unloading conditions.

Note:
The components identified by mark Δ or dotted line with mark Δ are critical for safety. Replace only with part number specified.

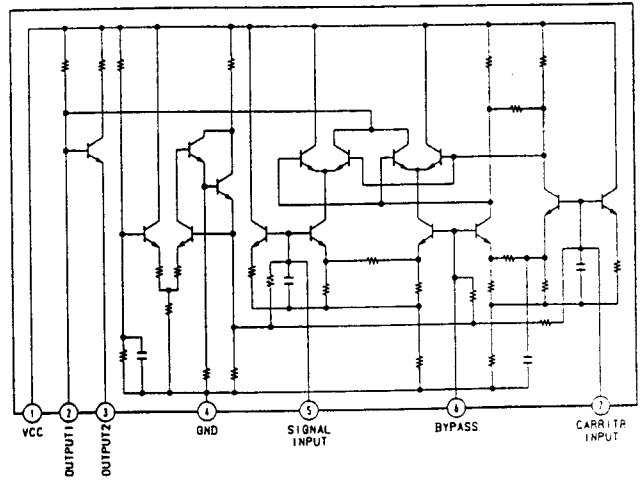
Note:
Les composants identifiés par une marque Δ sont critiques pour la sécurité. Ne les remplacer que par une pièce portant le numéro spécifié.

4-22. IC BLOCK DIAGRAMS
- RADIO SECTION -

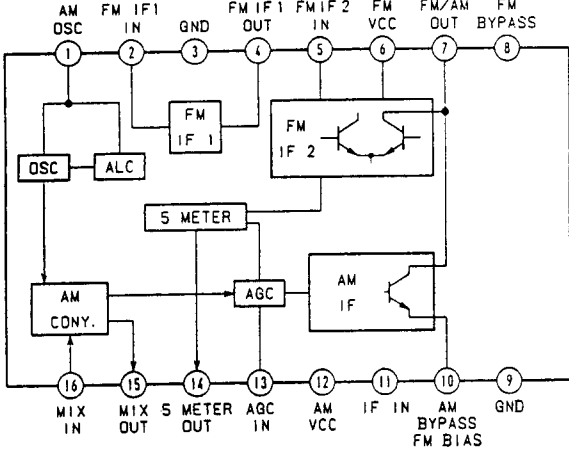
PSN501



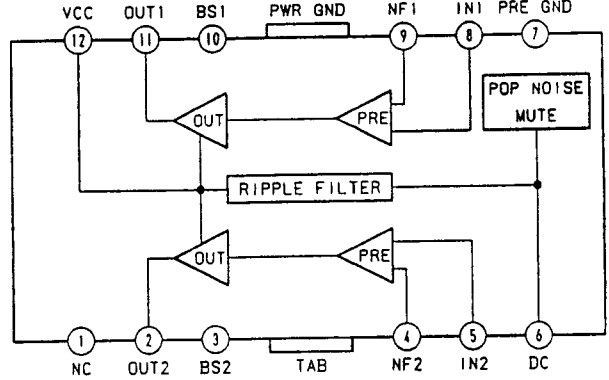
IC503, 504 μ PC1037HA



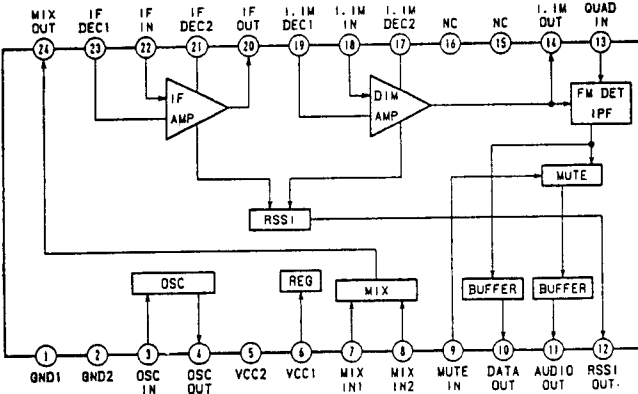
IC403 LA1205



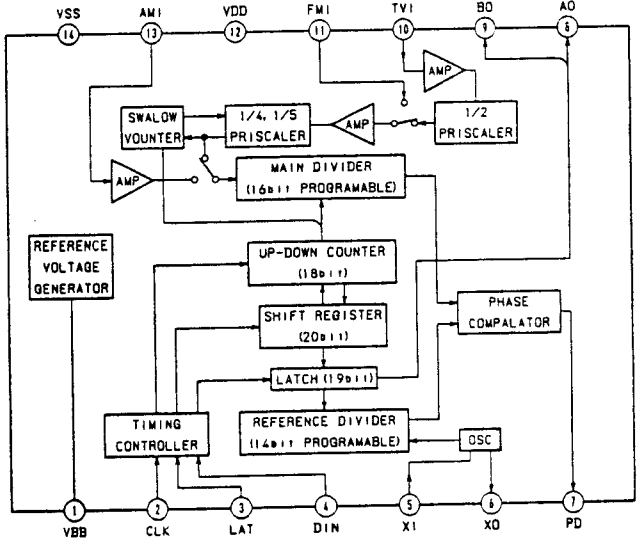
IC606 LA4550



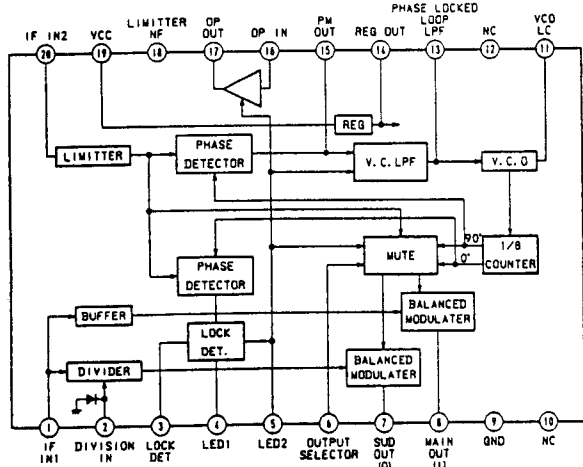
IC406 CXA1003AM



IC801-804 CXD1118M



IC502 CX-857



SECTION 5 EXPLODED VIEWS

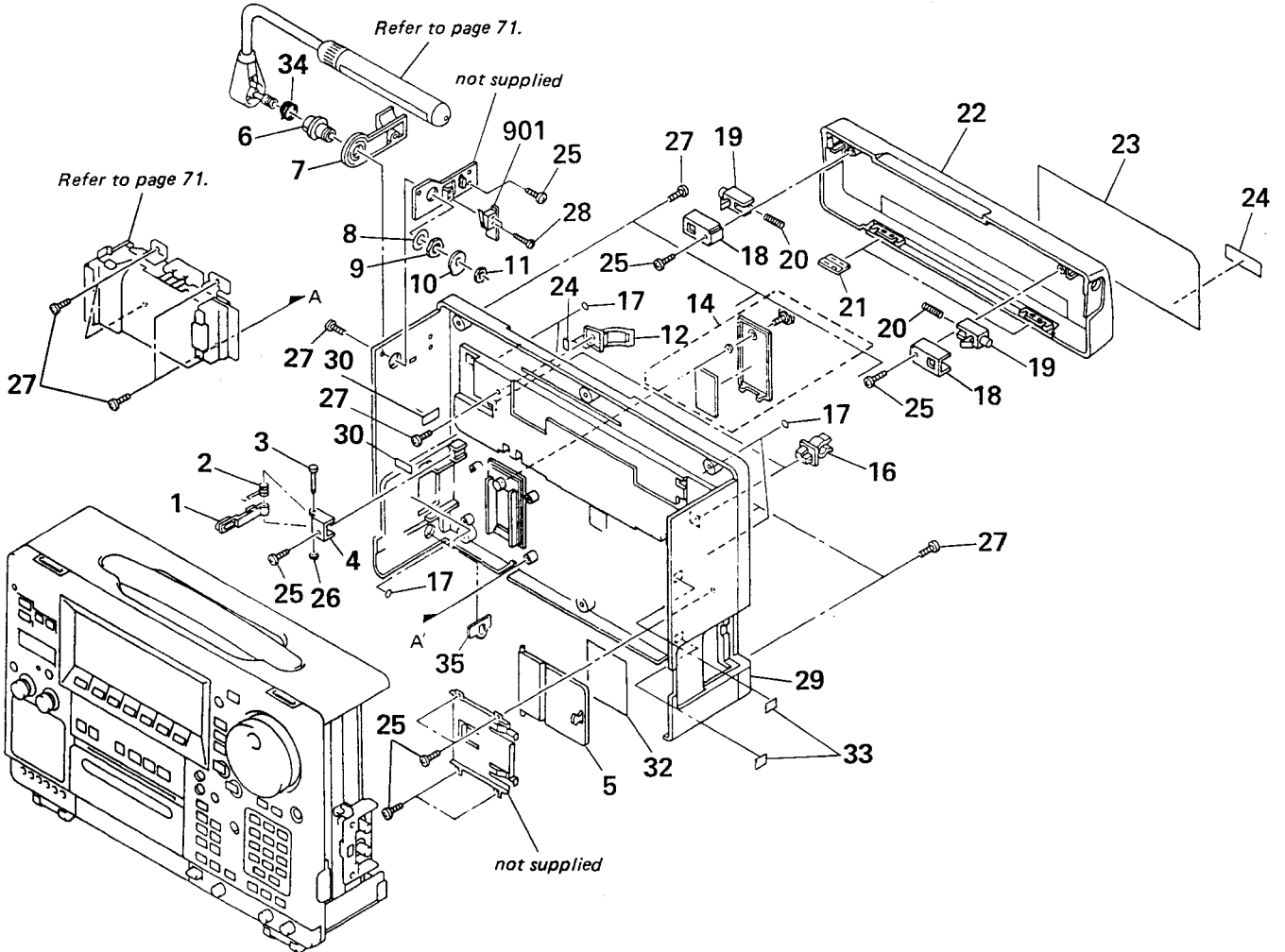
NOTE:

- The mechanical parts with no reference number in the exploded views are not supplied.
- The construction parts of an assembled part are indicated with a collation number in the remark column.
- Items marked "*" are not stocked since they are seldom required for routine service. Some delay should be anticipated when ordering these items.
- Due to standardization, parts with part number suffix -XX and -X may be different from the parts specified in the components used on the set.

The components identified by mark or dotted line with mark are critical for safety. Replace only with part number specified.

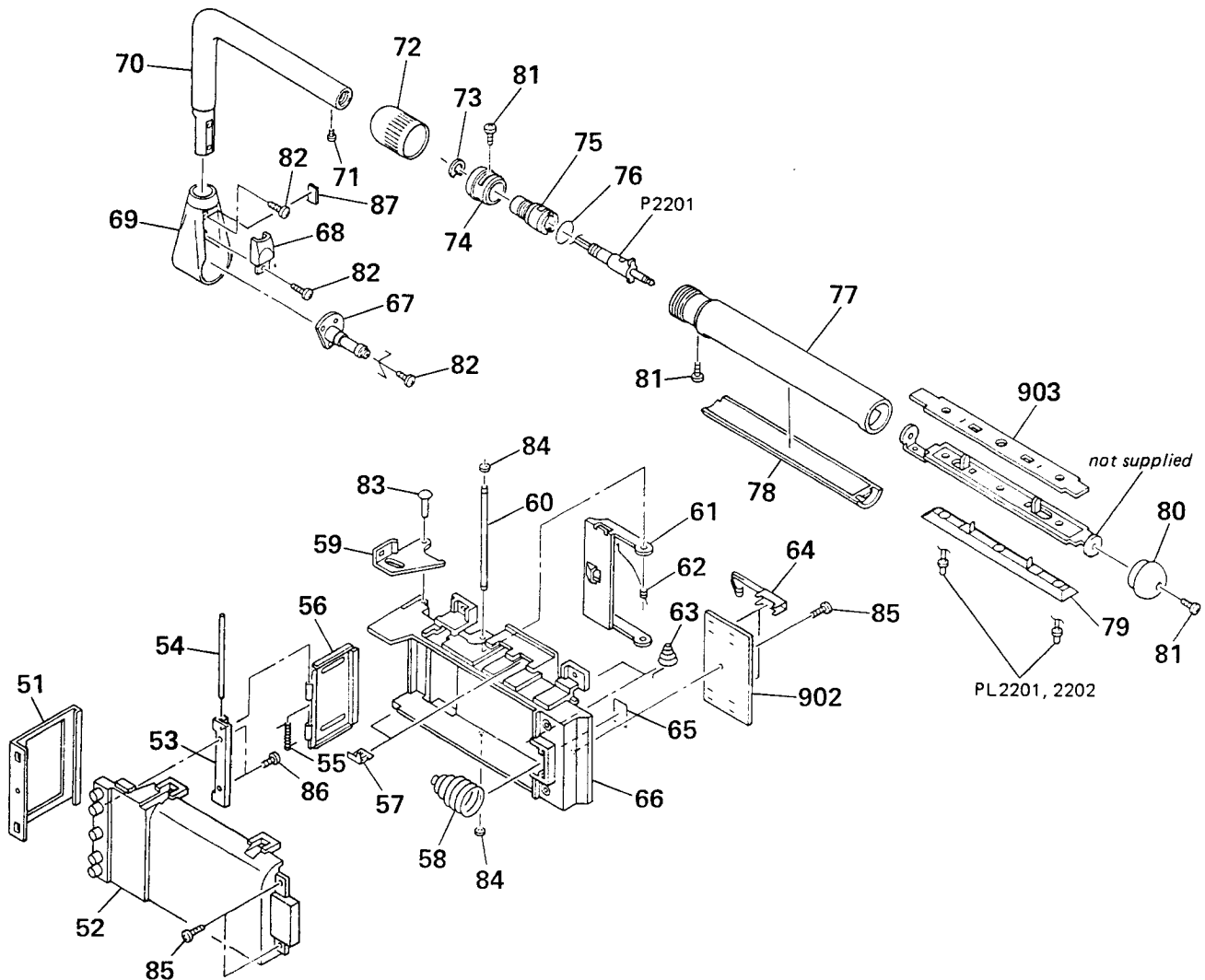
Les composants identifiés par une marque sont critiques pour la sécurité. Ne les remplacer que par une pièce portant le numéro spécifié.

5-1. CABINET (REAR) SECTION



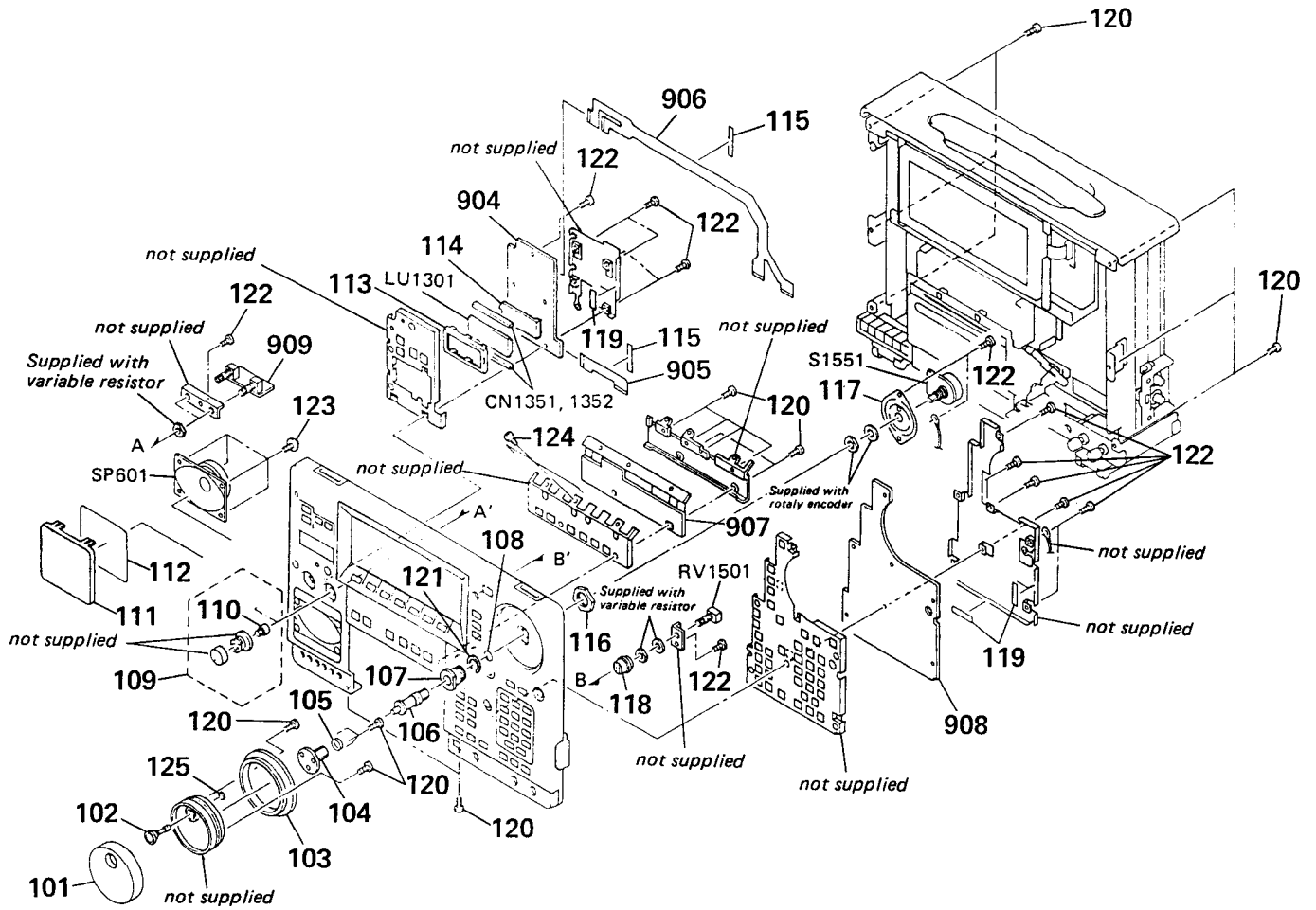
No.	Part No.	Description	Remarks	No.	Part No.	Description	Remarks
1	3-900-767-01	BUTTON, BATTERY RELEASE		23	*3-900-701-01	(E, I -AEP, UK, JE) ...LABEL, MODEL NUMBER (J)	
2	3-900-762-01	SPRING (D)			*3-901-239-01	(US)....LABEL, MODEL NUMBER (U)	
3	3-900-761-01	SHAFT (B)			*3-901-240-01	(AEP)....LABEL, MODEL NUMBER (AE)	
4	*3-900-768-01	HOLDER, RELEASE BUTTON		24	*3-314-252-01	SPACER	
5	3-900-703-01	LID, TERMINAL, ANTENNA		25	7-685-647-79	SCREW +P 3X10 TYPE2 NON-SLIT	
6	3-901-119-01	BEARING (LAMP)		26	7-624-102-04	STOP RING 1.5. TYPE -E	
7	*3-901-187-01	BASE, LAMP SHAFT		27	7-682-547-09	SCREW +P 3X6	
8	3-901-274-01	SPACER, FLAT		28	7-621-255-55	SCREW +P 2X8	
9	3-901-149-01	NUT (M10X1.0), HEXAGON		29	3-900-712-01	(EXCEPT US)....CABINET (REAR)	
10	*3-900-787-01	CAM			3-900-712-11	(US).....CABINET (REAR)	
11	3-901-148-01	NUT (M6X0.75), HEXAGON		30	3-831-441-11	CUSHION (B)	
12	3-901-153-01	BRACKET, LOCK		32	*3-901-269-01	SPACER	
14	X-3900-713-1	LID, BATTERY CASE		33	9-911-863-XX	SHEET, CHLORIDE VINYL	
16	*3-901-209-01	HOLDER, ROD		34	3-901-278-01	SPRING (D)	
17	4-879-274-41	SPACER		35	3-901-284-01	(US)....LID, RS232C	
18	*3-901-130-01	COVER, RELEASE BUTTON		901	*1-628-282-11	PC BOARD, LAMP SW	
19	3-901-129-01	BUTTON (ANTENNA LID), RELEASE					
20	3-630-644-01	SPRING (B)					
21	3-901-141-01	HINGE					
22	3-900-713-01	LID, ANTENNA					

5-2. BATTERY/LAMP SECTION



No.	Part No.	Description	Remarks	No.	Part No.	Description	Remarks
51	3-901-138-01	RETAINER, BATTERY HOLDER		72	3-901-122-01	RING, FASTENING	
52	*3-901-193-01	HOLDER (B), BATTERY		73	3-618-078-00	RING, RETAINING, CE TYPE	
53	3-901-109-01	HOLDER (BATTERY CASE LID B)		74	3-901-120-01	RING, ROTARY	
54	3-901-111-01	SHAFT (D)		75	3-901-121-01	HOLDER, PLUG	
55	3-901-110-01	SPRING (F)		76	3-901-150-01	RING (LAMP), O	
56	3-901-108-01	LID (B), BATTERY CASE		77	3-901-183-01	HOLDER, LAMP	
57	3-898-229-01	TERMINAL BOARD, PLUS		78	3-901-184-01	PLATE (LAMP), LIGHT GUIDE	
58	3-900-764-01	SPRING (A), COMPRESSION		79	*3-901-134-01	REFLECTOR (LAMP)	
59	*3-900-766-01	LEVER (B), RELEASE		80	3-901-123-01	CAP	
60	*3-900-769-01	SHAFT (C)		81	7-621-255-10	SCREW +P 2X3	
61	*3-900-765-01	PLATE, LOCK, BATTERY		82	7-682-547-04	SCREW +P 3X6	
62	3-900-799-01	SPRING (G)		83	7-625-724-70	RIVET 3X12	
63	3-898-230-01	SPRING		84	7-624-104-04	STOP RING 2.0, TYPE -E	
64	3-900-763-01	CONTACT, BATTERY		85	7-685-647-79	SCREW +P 3X10 TYPE2 NON-SLIT	
65	3-881-441-11	CUSHION (B)		86	7-685-103-19	SCREW +P 2X5 TYPE2 NON-SLIT	
66	*3-901-192-01	HOLDER (A), BATTERY		87	9-911-863-XX	SPACER (A)	
67	3-901-118-01	SHAFT (LAMP)		902	*1-628-283-11	PC BOARD, POWER	
68	3-901-126-01	PLATE, BLIND		903	*1-628-277-11	PC BOARD, LAMP	
69	3-901-186-01	HOLDER, LAMP ARM		P2201	1-574-196-11	CORD (WITH PLUG)	
70	3-901-124-01	ARM, LAMP		PL2201	1-518-640-21	LAMP, PILOT	
71	3-901-271-01	SCREW (B1.4X2), TAPPING		PL2202	1-518-640-21	LAMP, PILOT	

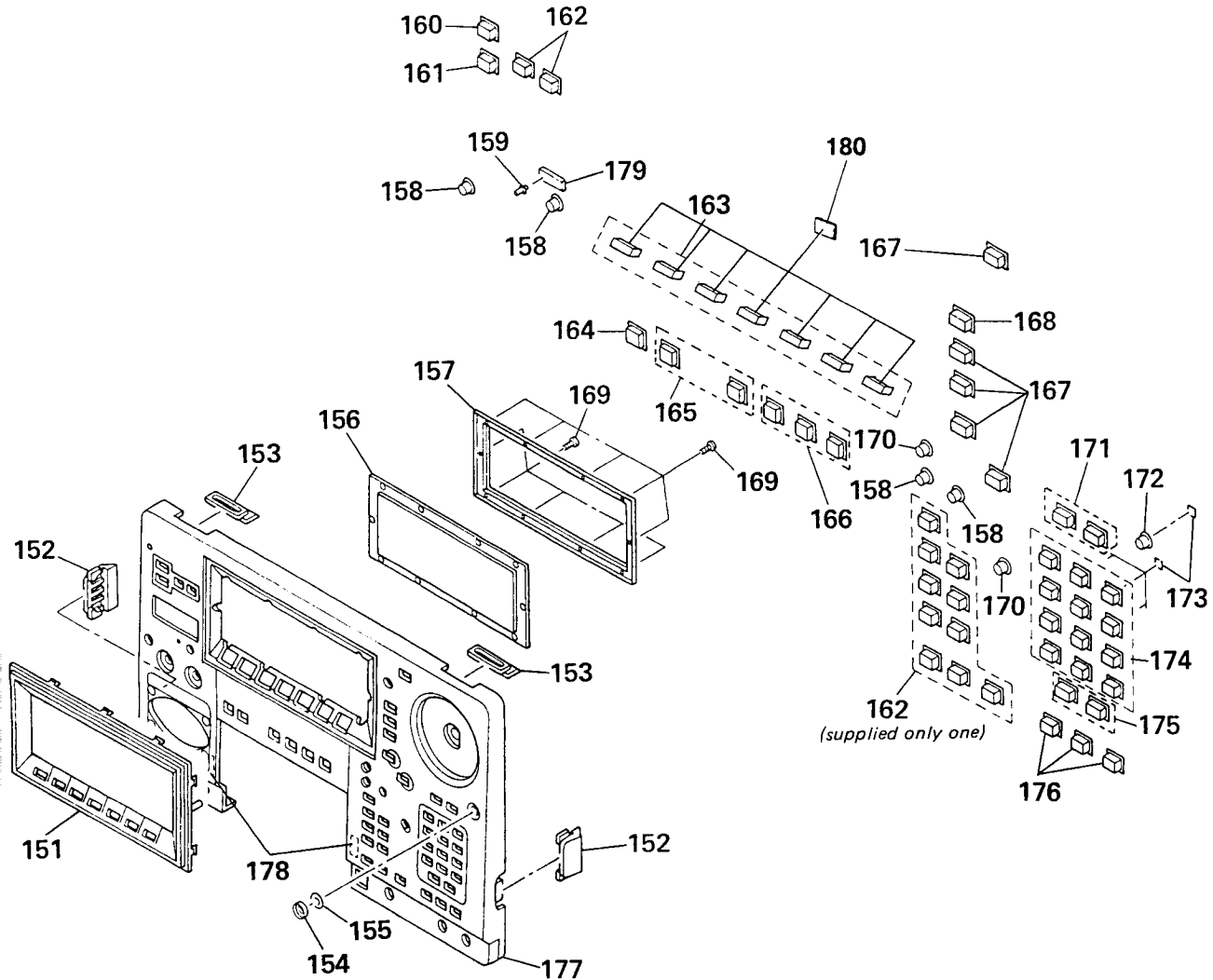
5-3. CABINET (FRONT)-1 SECTION



No.	Part No.	Description	Remarks
101	3-901-170-01	KNOB (A)	
102	*3-900-773-01	BUTTON (FAST FORWARD)	
103	*3-901-143-01	RING (C), ORNAMENTAL	
104	3-900-776-01	SLEEVE, KNOB	
105	3-900-777-01	SPRING (A)	
106	3-900-774-01	SHAFT (TUNING)	
107	3-900-775-01	BEARING (TUNING)	
108	3-901-136-01	SPRING (B)	
109	X-3900-704-1	KNOB B ASSY	110
110	3-901-104-01	SHAFT	
111	3-900-780-01	PANEL, SPEAKER	
112	3-901-117-01	NET, SPEAKER DUST PROTECTION	
113	*3-900-784-01	HOLDER (TIMER), LCD	
114	3-900-724-01	PLATE, LIGHT GUIDE	
115	4-860-518-00	CUSHION	
116	3-901-157-01	NUT (M1.4X1.0), HEXAGON	
117	3-900-714-01	BRACKET (ENCODER)	
118	3-900-791-01	KNOB	
119	3-831-441-XX	CUSHION	

No.	Part No.	Description	Remarks
120	7-682-547-04	SCREW +P 3X6	
121	7-624-133-34	STOP RING 8, TYPE-CE	
122	7-685-647-79	SCREW +P 3X10 TYPE2 NON-SLIT	
123	7-682-903-11	SCREW +PWH 3X6	
124	7-621-255-35	SCREW +P 2X5	
125	7-624-104-04	STOP RING 2.0, TYPE -E	
904	A-3689-132-A	MOUNTED PCB, TIMER	
905	1-628-293-11	PC BOARD, FLEXIBLE	
906	1-628-292-11	PC BOARD, TIMER (10 KEY) FLEXIBLE	
907	1-628-290-11	PC BOARD, FUNCTION	
908	*1-628-291-11	10 KEY BOARD	
909	*1-628-281-11	PC BOARD, VR	
CN1351	1-535-686-11	CONDUCTOR BOARD, CONNECTION	
CN1352	1-535-686-11	CONDUCTOR BOARD, CONNECTION	
LU1301	1-808-099-11	DISPLAY PANEL, LIQUID CRYSTAL	
RV1501	1-237-905-11	RES, VAR, CARBON 1K (LCD CONTRAST)	
S1551	1-464-406-11	ENCODER, ROTARY	
SP601	1-503-881-11	SPEAKER	

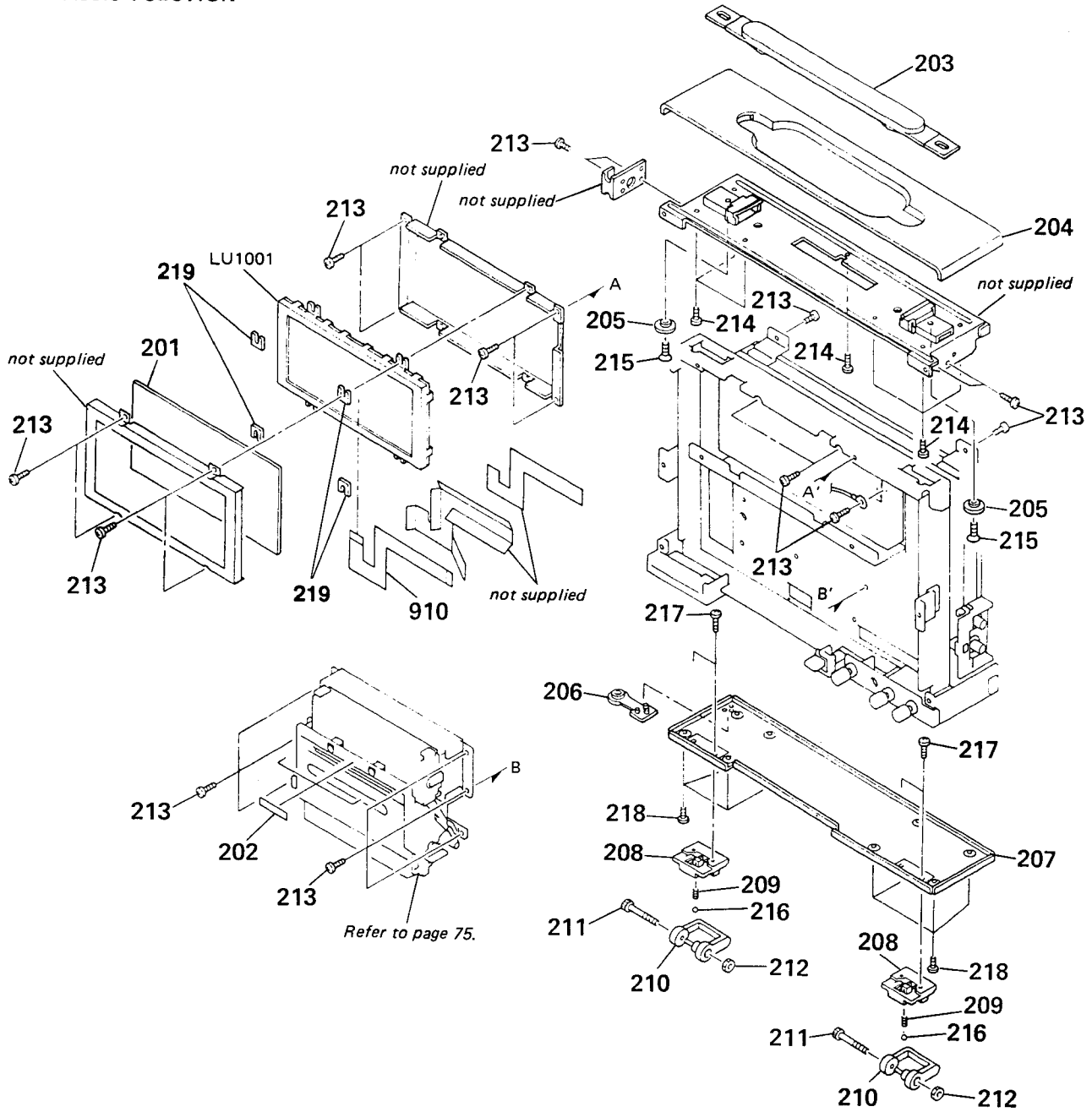
5-4. CABINET (FRONT)-2 SECTION



No.	Part No.	Description	Remarks
151	3-900-706-01	ESCUTCHEON	
152	3-901-103-01	RETAINER (B), COVER HOOK	
153	3-900-788-01	RETAINER (A), HOOK, COVER	
154	3-901-106-01	RING (A), ORNAMENTAL	
155	3-901-139-01	SHEET (RING A), ADHESIVE	
156	3-901-175-01	PLATE, TRANSPARENT	
157	*3-901-176-01	HOLDER, TRANSPARENT PLATE	
158	3-900-779-11	BUTTON (E)	
159	3-901-249-01	BUTTON (RESET)	
160	3-901-172-21	BUTTON (B)	
161	3-901-172-31	BUTTON (B)	
162	3-901-171-21	BUTTON (A)	
163	3-901-182-01	BUTTON (F)(7-PIECE SET)	
164	3-901-174-11	BUTTON (D)	
165	3-901-173-01	BUTTON (C)(2-PIECE SET)	

No.	Part No.	Description	Remarks
166	3-901-174-01	BUTTON (D)(3-PIECE SET)	
167	3-901-172-11	BUTTON (B)	
168	3-901-172-01	BUTTON (B)	
169	7-685-103-19	SCREW +P 2X5 TYPE2 NON-SL IT	
170	3-900-779-01	BUTTON (E)	
171	3-901-172-41	BUTTON (B)(2-PIECE SET)	
172	3-901-102-01	BUTTON (G)	
173	3-831-441-11	CUSHION (B)	
174	3-901-171-01	BUTTON (A)(12-PIECE SET)	
175	3-901-172-51	BUTTON (B)(2-PIECE SET)	
176	3-901-171-11	BUTTON (A)	
177	X-3900-705-1	(EXCEPT US)..... CABINET (FRONT)	
	X-3900-705-2	(US)..... CABINET (FRONT)	
178	9-911-835-XX	SPACER	
179	*3-901-253-01	CUSHION (RESET)	
180	*3-901-272-01	SPACER (BUTTON)	

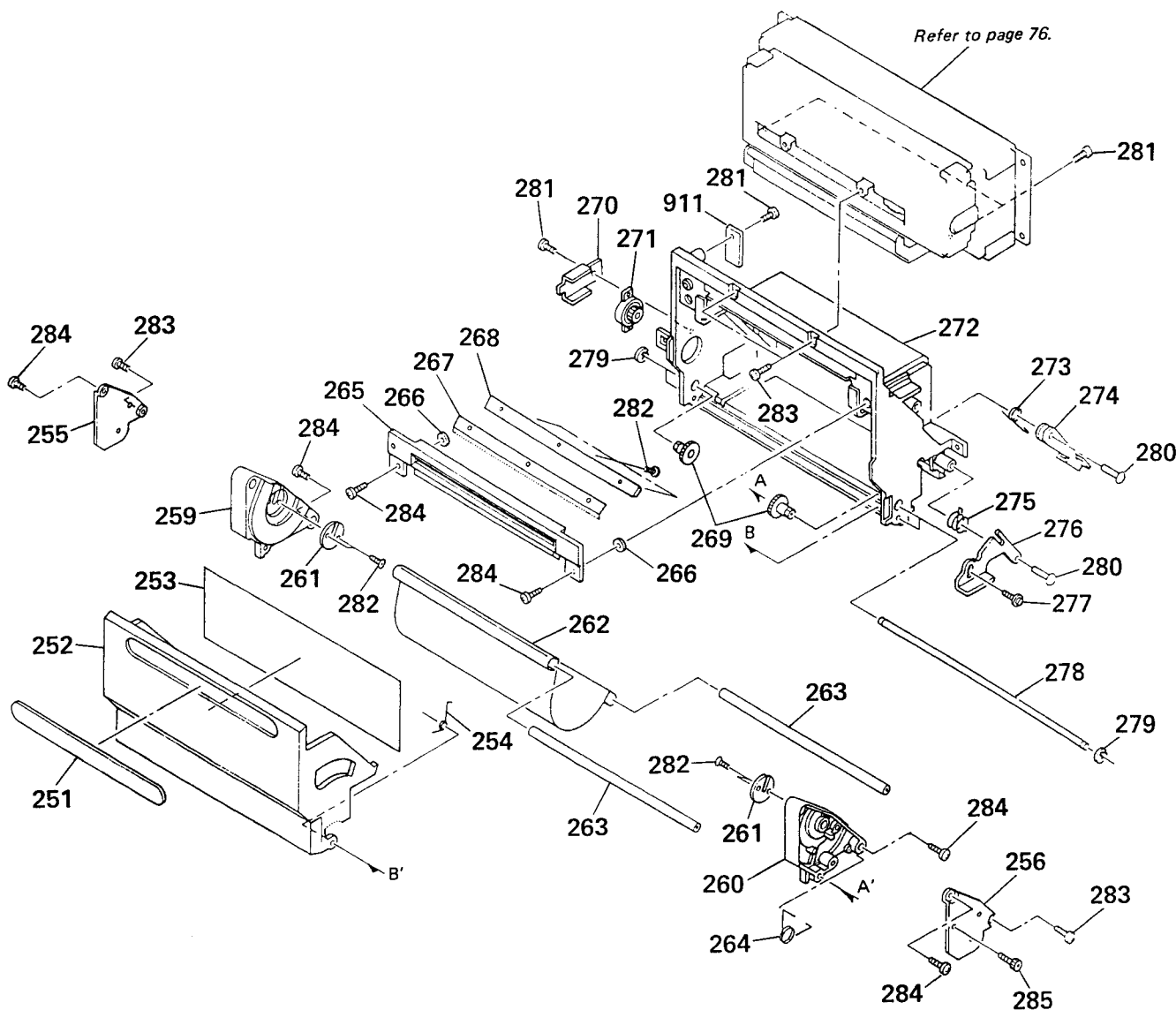
5-5. CHASSIS-1 SECTION



No.	Part No.	Description	Remarks
201	*3-901-228-01	(EXCEPT US) ... PLATE, SHIELD TRANSPARENT	
	*3-901-228-11	(US) ... PLATE, SHIELD TRANSPARENT	
202	3-831-441-XX	CUSHION	
203	3-901-190-01	HANDLE	
204	3-901-197-01	LID, CABINET (UPPER)	
205	3-900-737-01	COLLAR (HANDLE)	
206	3-901-146-01	(EXCEPT US) ... COVER, JACK	
207	*3-901-202-01	LID, BOTTOM	
208	3-900-753-01	TABLE, LEG	
209	3-901-116-01	SPRING (C), COMPRESSION	
210	3-900-752-01	LEG	

No.	Part No.	Description	Remarks
211	3-900-758-01	SCREW, HEXAGON SOCKET	
212	3-901-140-01	MUT (M4) (2), HEXAGON	
213	7-682-547-04	SCREW +P 3X6	
214	7-685-546-14	SCREW +BTP 3X8 TYPE2 N-S	
215	7-682-261-09	SCREW +K 4X8	
216	7-671-114-01	BALL 4, STEEL	
217	7-685-647-79	SCREW +P 3X10 TYPE2 NON-SLIT	
218	7-682-547-09	SCREW +P 3X6	
219	3-901-251-01	SPACER (LCD)	
910	1-628-966-11	PC BOARD, FLEXIBLE	
LU1001	1-808-096-11	DISPLAY PANEL, LIQUID CRYSTAL	

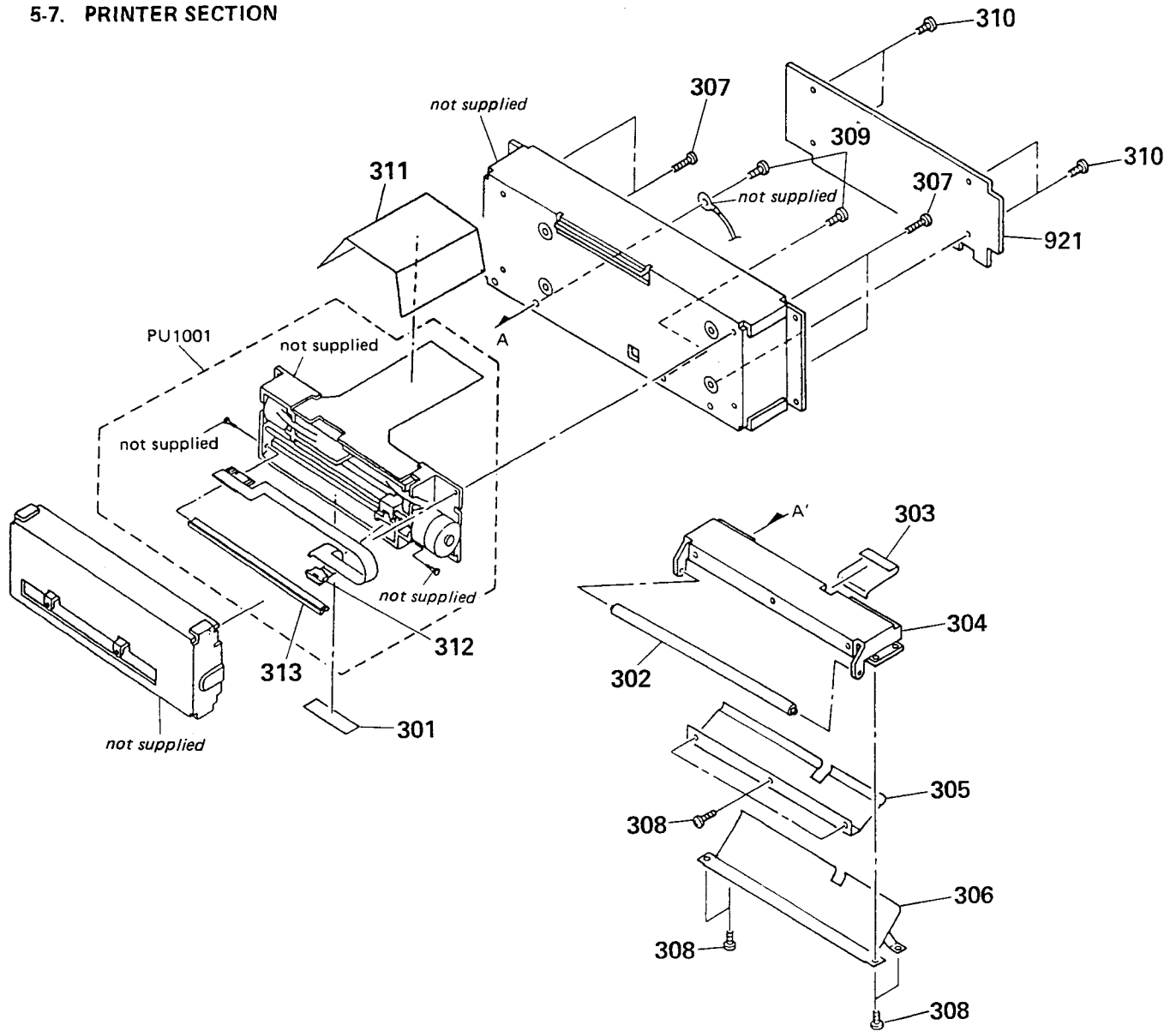
5-6. PAPER BOX SECTION



No.	Part No.	Description	Remarks
251	3-901-114-01	PAD, PAPER LID	
252	3-901-191-01	LID, PAPER	
253	*3-901-227-01	SEAL, PAPER SET	
254	3-900-748-01	SPRING (A)	
255	*3-900-797-01	BRACKET (LEFT), GEAR	
256	*3-900-796-01	BRACKET (RIGHT), GEAR	
259	*3-901-162-01	HOLDER (LEFT), PAPER	
260	*3-901-161-01	HOLDER (RIGHT), PAPER	
261	*3-900-742-01	PLATE, BEARING	
262	*3-901-166-01	COVER, PAPER	
263	*3-900-744-01	STAY, PAPER GUIDE	
264	3-900-750-01	SPRING (C)	
265	3-900-704-01	HOLDER (A)	
266	3-701-438-11	WASHER, 2.5	
267	3-900-759-01	BRAD	
268	3-900-702-01	HOLDER (B)	
269	3-900-738-01	GEAR (A)	

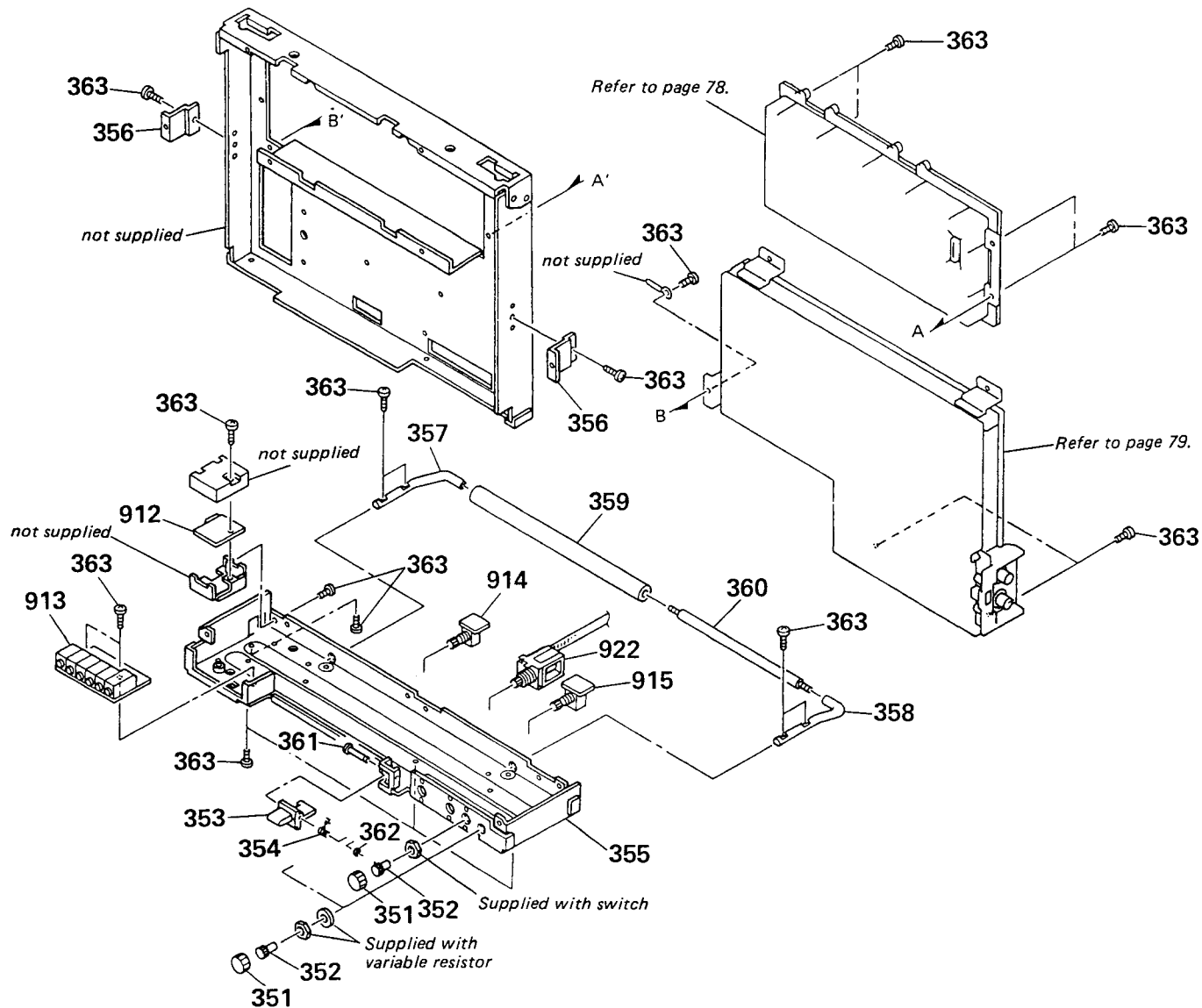
No.	Part No.	Description	Remarks
270	*3-901-115-01	STOPPER, DAMPER	
271	3-319-224-31	DAMPER, SMALL	
272	*3-901-199-01	BOX, PAPER	
273	3-900-798-01	SPRING (E)	
274	3-900-745-01	LEVER, LOCK	
275	3-900-749-01	SPRING (B)	
276	3-900-746-01	LEVER (A), RELEASE	
277	7-685-103-19	+ PTPWH (2X5)	
278	3-900-743-01	SHAFT	
279	7-624-104-04	STOP RING 2.0, TYPE -E	
280	7-625-724-70	RIVET 3X12	
281	7-685-647-79	SCREW +P 3X10 TYPE2 NON-SLIT	
282	7-627-452-27	+K 2X4	
283	7-685-645-79	SCREW +P 3X6 TYPE2 NON-SLIT	
284	7-682-548-09	SCREW +P 3X8	
285	3-901-152-01	BOLT (M3X4), HEXAGON SOCKET	
911	*1-628-286-11	PC BOARD, PAPER LED	

5-7. PRINTER SECTION



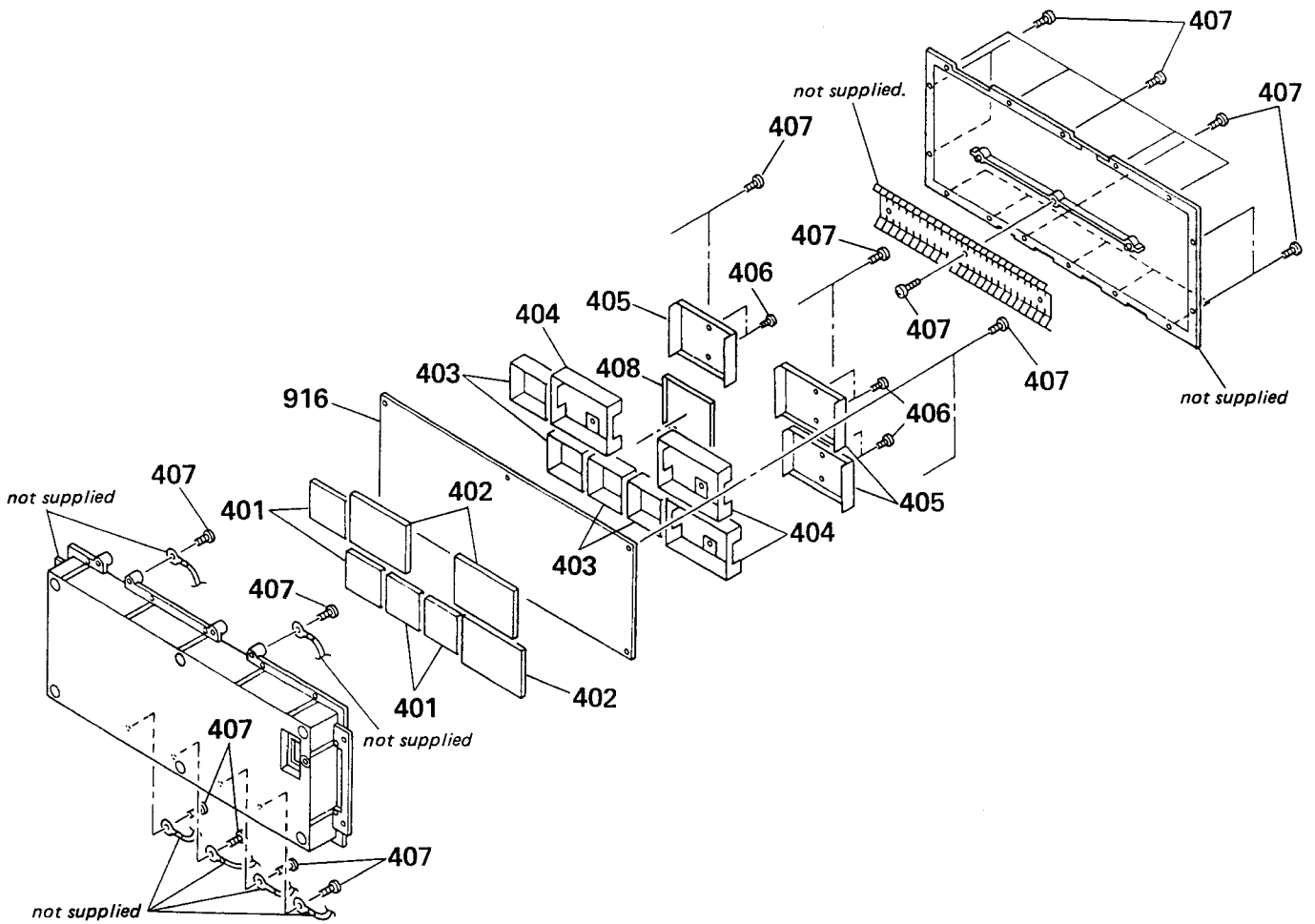
No.	Part No.	Description	Remarks	No.	Part No.	Description	Remarks
301	4-860-518-00	CUSHION		309	7-682-547-04	SCREW +P 3X6	
302	3-900-790-01	ROLLER, PAPER		310	7-682-548-04	SCREW +P 3X8	
303	*4-917-635-01	DAMPER (D)		311	*3-901-267-01	PLATE (FPC-2), SHIELD	
304	*3-901-167-01	HOLDER, PAPER GUIDE		312	1-550-494-11	HEAD, PRINTER (WITH FPC)	
305	3-900-751-01	GUIDE (A), PAPER		313	3-901-283-01	PLATEN	
306	3-901-164-01	GUIDE (B), PAPER		921	A-3689-131-A	MOUNTED PCB, PRINTER	
307	7-621-255-55	SCREW +P 2X8		PU1001	1-550-344-11	PRINTER, THERMAL	312,313
308	7-621-255-10	SCREW +P 2X3					

5-8. CHASSIS-2 SECTION



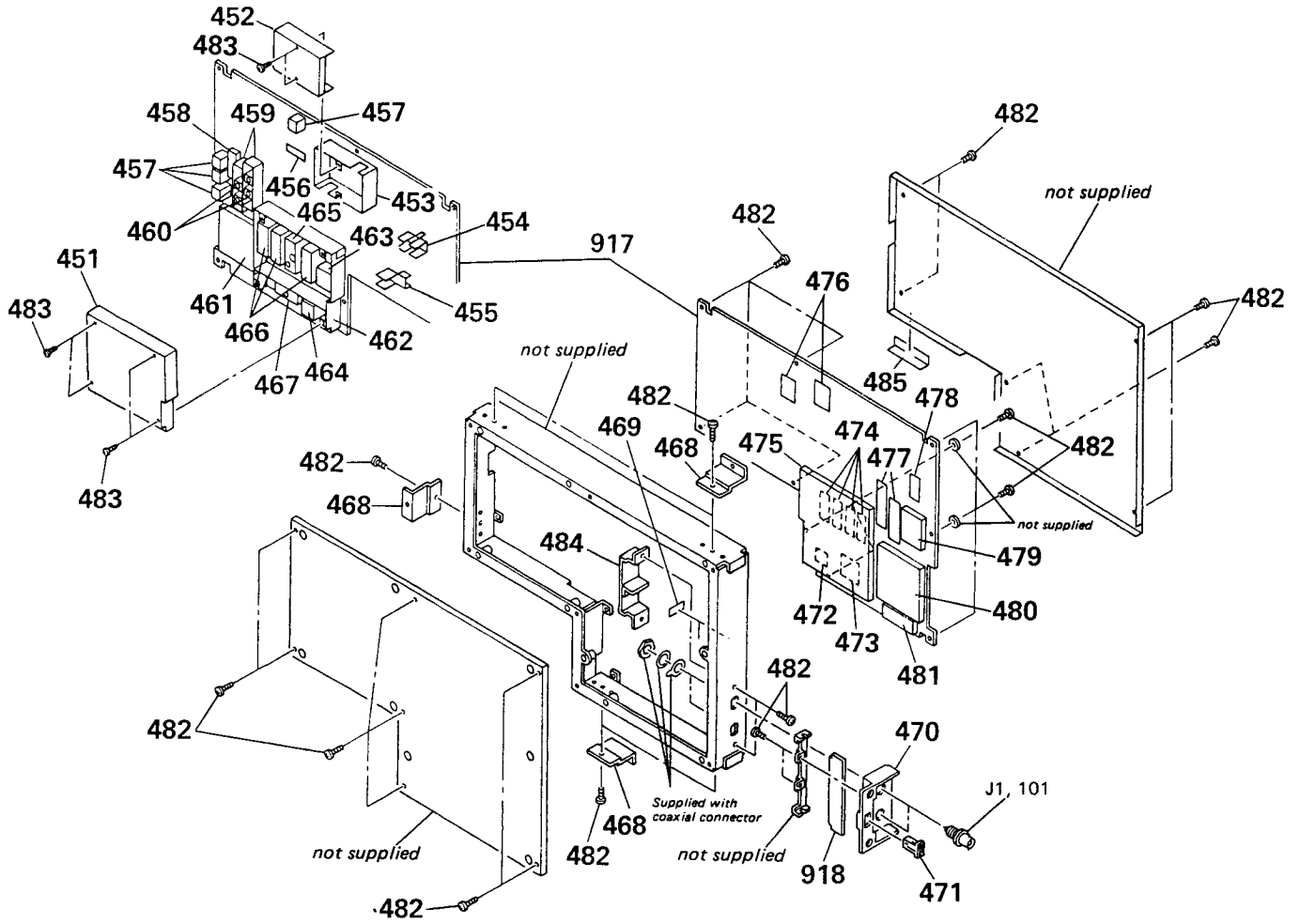
No.	Part No.	Description	Remarks	No.	Part No.	Description	Remarks
351	3-900-786-02	KNOB (SELECTOR)		360	3-900-756-01	JOINT, FOOT	
352	3-901-236-01	SHAFT (SELECTOR)		361	3-900-761-01	SHAFT (B)	
353	3-900-778-01	BUTTON (PAPER LID), RELEASE		362	7-624-102-04	STOP RING 1.5, TYPE -E	
354	3-901-101-01	SPRING (H)		363	7-682-547-04	SCREW +P 3X6	
355	*X-3900-702-1	PLATE ASSY, LOWER		912	*1-628-284-11	PC BOARD, DIN JACK	
356	3-900-760-01	BRACKET		913	*1-628-275-11	PC BOARD, JACK	
357	3-900-754-01	LEG (RIGHT), REAR		914	*1-628-278-11	PC BOARD, PB IN VR	
358	3-900-755-01	LEG (LEFT), REAR		915	*1-628-276-11	PC BOARD, RF GAIN	
359	3-900-757-01	FOOT, RUBBER		922	1-571-313-21	SWITCH, ROTARY SLIDE (REMOTE)	

5-9. MICRO COMPUTER BOARD SECTION



No.	Part No.	Description	Remarks	No.	Part No.	Description	Remarks
401	*3-901-204-01	PLATE (M-P1), SHIELD		406	7-621-255-10	SCREW +P 2X3	
402	*3-901-203-01	PLATE (M-P2), SHIELD		407	7-682-547-04	SCREW +P 3X6	
403	*3-901-205-01	PLATE (M1), SHIELD		408	*3-901-245-01	PLATE (M2), SHIELD	
404	*3-900-734-01	PLATE (S19), SHIELD		916	A-3689-130-A	MOUNTED PCB, MICRO COMPUTER	
405	*3-900-733-01	PLATE (S18), SHIELD					

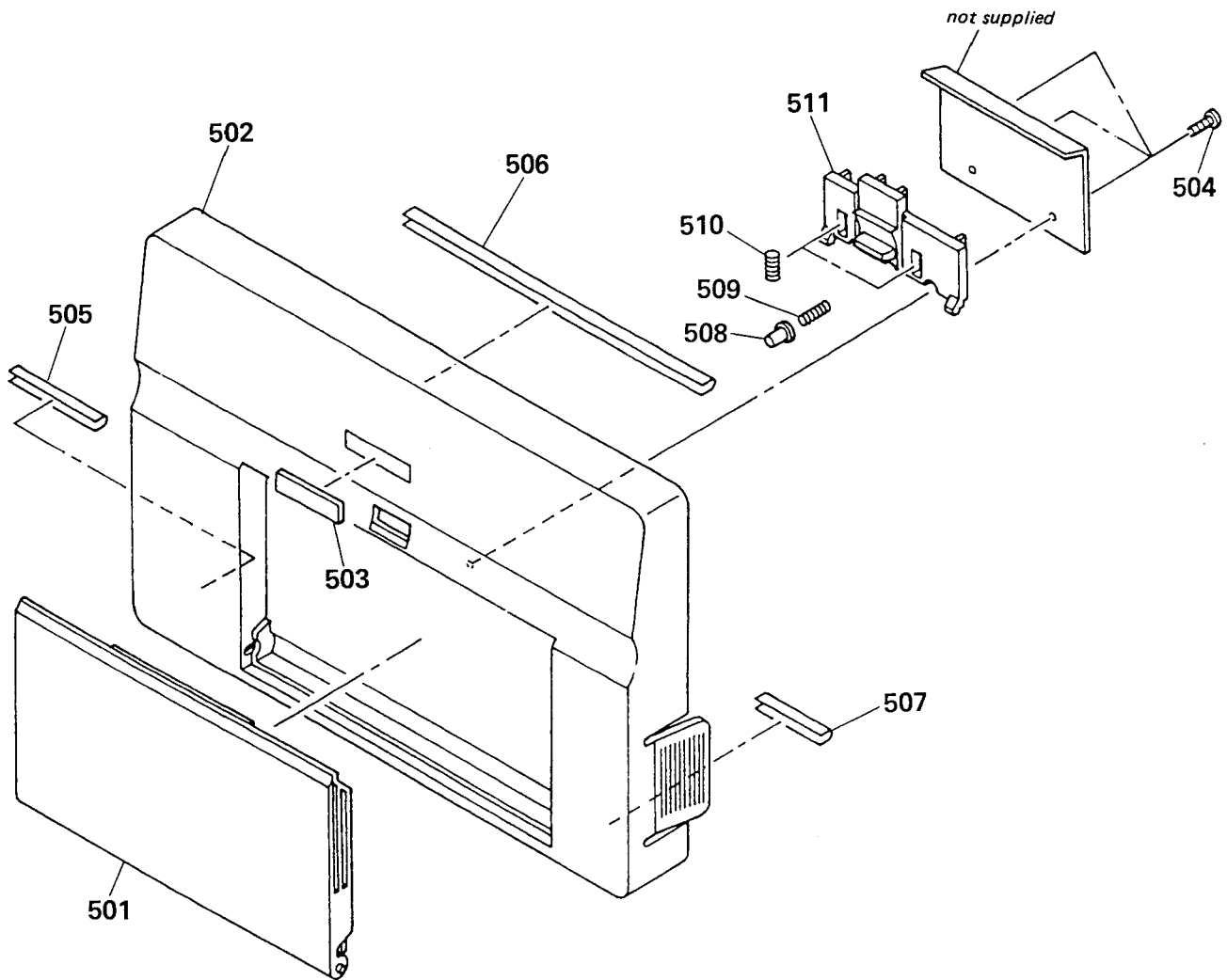
5-10. SIGNAL BOARD SECTION



No.	Part No.	Description	Remarks
451	*3-900-718-01	PLATE (S7), SHIELD	
452	*3-900-733-01	PLATE (S18), SHIELD	
453	*3-900-734-01	PLATE (S19), SHIELD	
454	*3-901-158-01	HEAT SINK (C)	
455	*3-900-731-01	HEAT SINK (REGULATOR)	
456	*3-900-722-01	PLATE (S11), SHIELD	
457	*3-900-719-01	PLATE (S8), SHIELD	
458	*3-900-729-01	PLATE (S15), SHIELD	
459	*3-900-735-01	PLATE (S20), SHIELD	
460	*3-900-723-01	PLATE (S12), SHIELD	
461	*3-900-720-01	PLATE (S9), SHIELD	
462	*3-901-159-01	PLATE (S6), SHIELD	
463	*3-891-832-01	CASE (A), SHIELD	
464	*3-900-716-01	PLATE (S2), SHIELD	
465	*3-900-715-01	PLATE (S1), SHIELD	
466	*3-900-715-11	PLATE (S1), SHIELD	
467	*3-900-717-01	PLATE (S3), SHIELD	
468	3-900-760-01	BRACKET	
469	3-831-441-11	CUSHION (B)	
470	3-901-189-01	TERMINAL, ANTENNA	

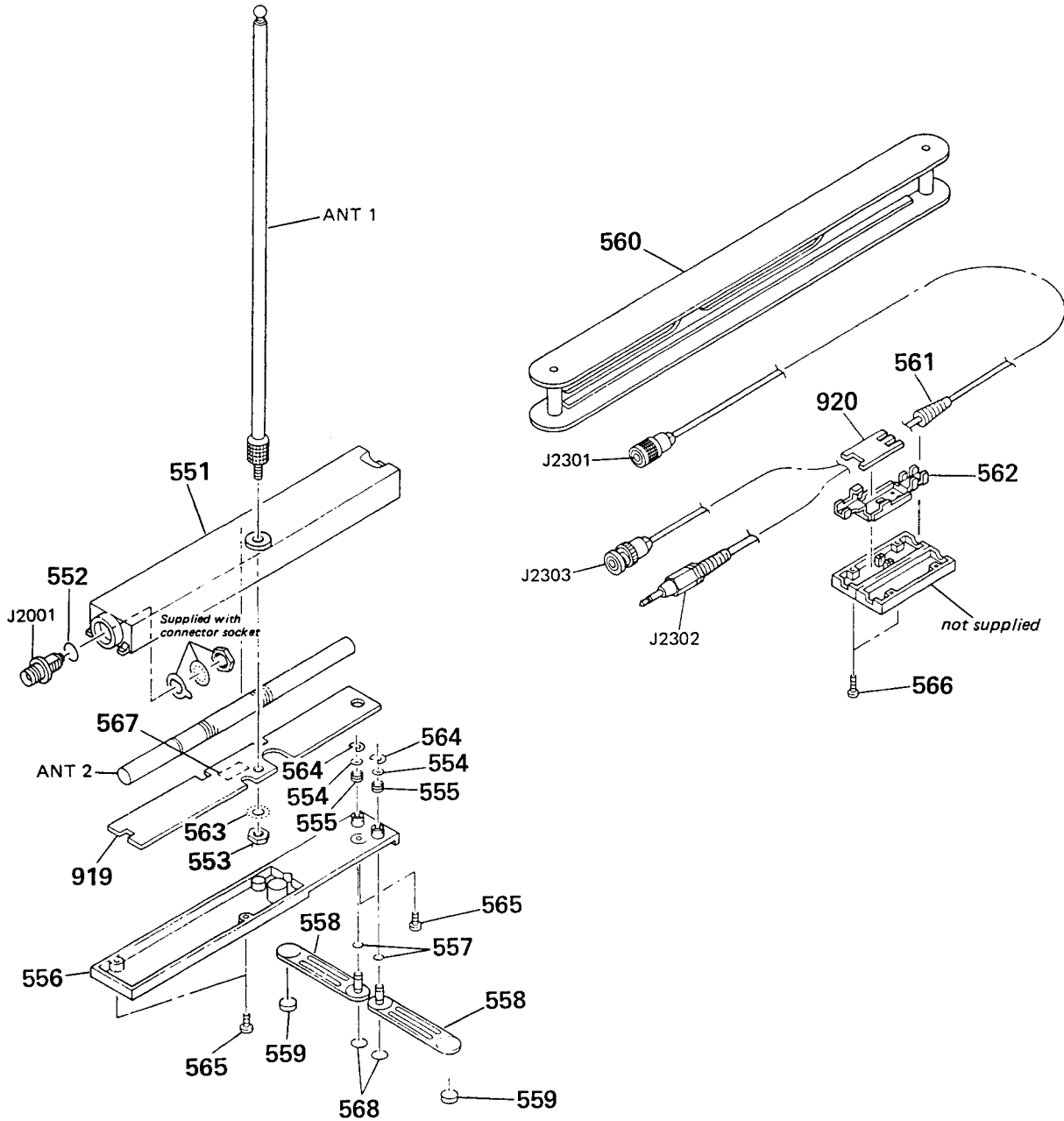
No.	Part No.	Description	Remarks
471	4-374-714-01	CATCH, PUSH	
472	*3-900-726-01	PLATE (S2-P), SHIELD	
473	*3-901-259-01	PLATE (S21-P), SHIELD	
474	*3-900-725-01	PLATE (S1-P), SHIELD	
475	*3-901-160-01	PLATE (S6-P), SHIELD	
476	*3-900-732-01	PLATE (S17-P), SHIELD	
477	*3-900-736-01	PLATE (S20-P), SHIELD	
478	*3-900-721-01	PLATE (S10-P), SHIELD	
479	*3-900-727-01	PLATE (S13-P), SHIELD	
480	*3-900-728-01	PLATE (S14-P), SHIELD	
481	*3-900-730-01	PLATE (S16-P), SHIELD	
482	7-682-547-04	SCREW +P 3X6	
483	7-621-255-10	SCREW +P 2X3	
484	*3-901-254-01	CASE (CONNECTOR), SHIELD	
485	*3-901-276-01	SHEET (BATT), INSULATING	
917	A-3665-029-A	MOUNTED PCB, SIGNAL	
918	*1-628-280-11	PC BOARD, ANTENNA POWER	
J1	1-562-261-21	CONNECTOR, COAXIAL (BMC) (SATELLITE)	
J101	1-562-261-21	CONNECTOR, COAXIAL (BMC) (ANTENNA FM/LW/MW/SW)	

5-11. FRONT COVER SECTION



No.	Part No.	Description	Remarks	No.	Part No.	Description	Remarks
501	3-900-707-01	POCKET		507	3-901-155-11	RUBBER (B), U TYPE	
502	3-901-210-01	COVER, FRONT		508	3-901-135-01	PIN (POCKET), PUSH	
503	3-704-178-01	EMBLEM (NO.8), SONY		509	3-426-508-00	SPRING, COMPRESSION	
504	7-685-647-79	SCREW +P 3X10 TYPE2	NON-SL IT	510	3-630-644-01	SPRING (B)	
505	3-901-155-01	RUBBER (A), U TYPE		511	3-901-188-01	BUFTON (POCKET), RELEASE	
506	3-901-155-21	RUBBER (C), U TYPE					

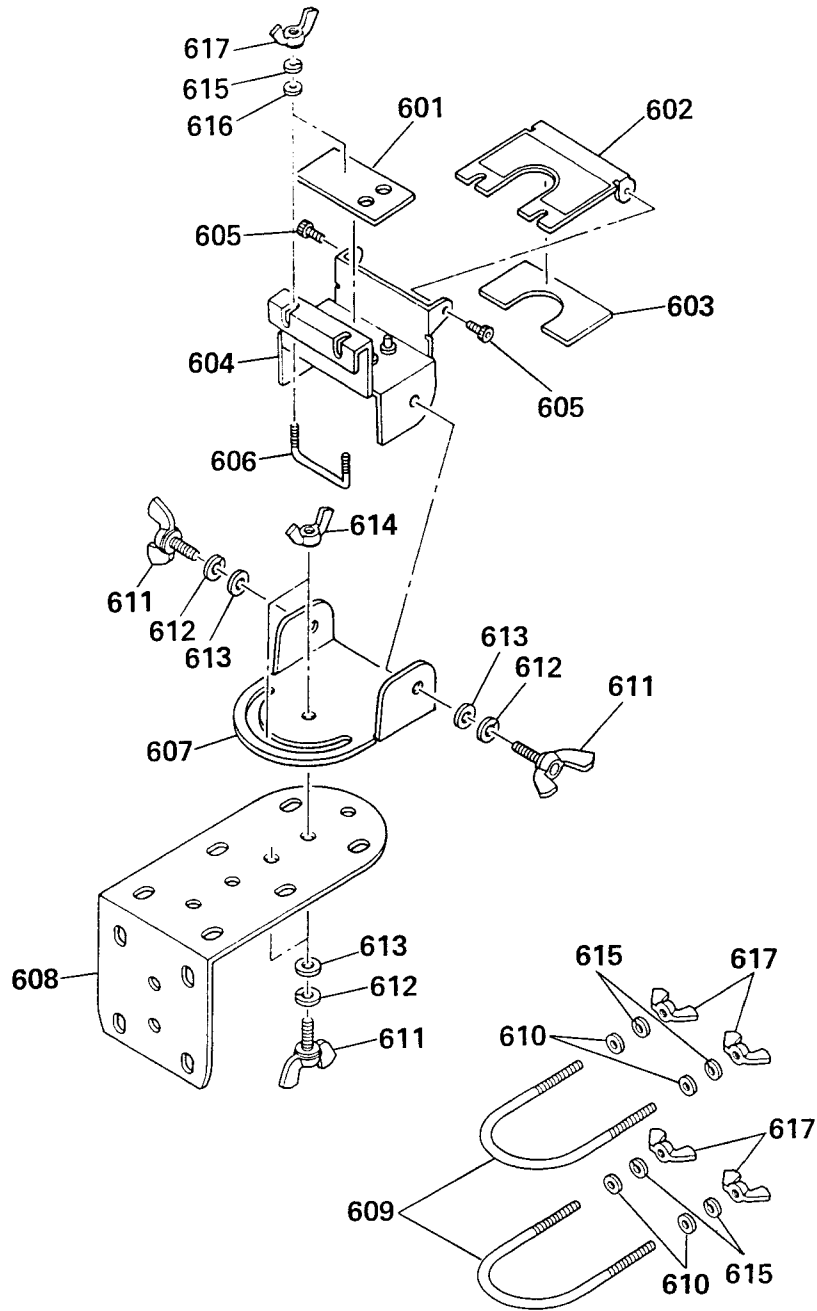
5-12. ANTENNA (AN-V21)/CABLE SECTION



No.	Part No.	Description	Remarks
551	3-900-708-01	CASE (FRONT), ANTENNA	
552	3-901-154-01	RING (TNC CONNECTOR), 0	
553	3-901-148-01	NUT (M6X0.75), HEXAGON	
554	3-701-441-21	WASHER	
555	3-901-229-01	SPRING (ANTENNA CASE FOOT)	
556	3-900-709-01	CASE (REAR), ANTENNA	
557	3-901-151-01	RING (FOOT), 0	
558	X-3900-701-1	FOOT ASSY	
559	3-901-133-01	FOOT (ANTENNA CASE), RUBBER	

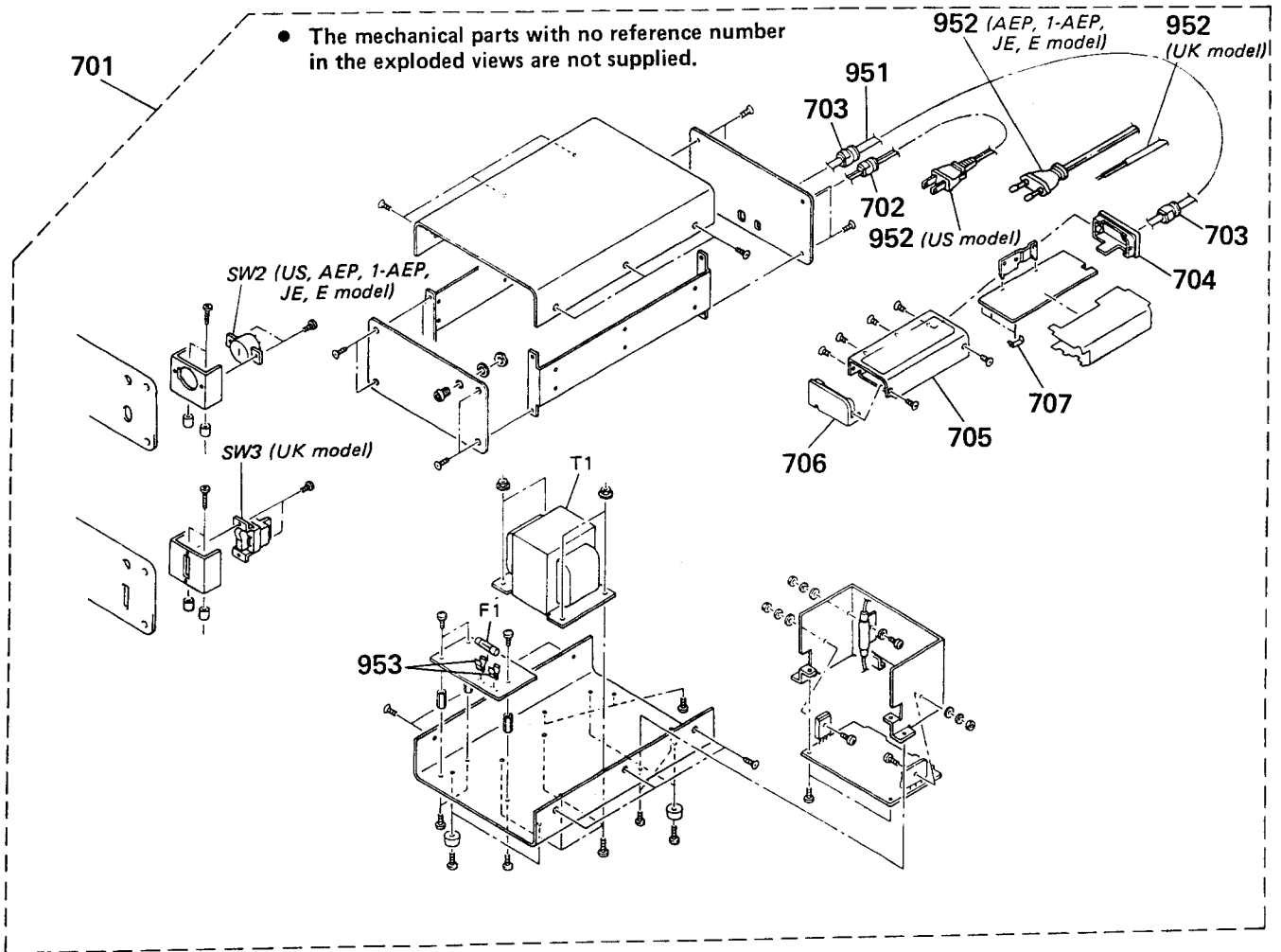
No.	Part No.	Description	Remarks
564	7-624-106-04	STOP RING 3.0, TYPE -E	
565	7-685-647-79	SCREW +P 3X10 TYPE2 NON-SL IT	
566	7-621-775-40	SCREW +P 2.6X8	
567	3-831-441-11	CUSHION (B)	
568	3-901-270-01	SEAL, FOOT	
919	A-3679-102-A	MOUNTED PCB, ACTIVE ANTENNA	
920	*1-628-931-11	PC BOARD, ANTENNA RELAY	
ANT1	1-501-393-11	ANTENNA, TELESCOPIC	
ANT2	1-402-336-11	ANTENNA, FERRITE-ROD	
J2001	*1-563-956-21	SOCKET, CONNECTOR	
J2301	1-574-308-11	CABLE (WITH CONNECTOR)	
J2302	1-574-307-11	CORD (WITH PLUG)	
J2303	1-574-306-11	CABLE (WITH CONNECTOR)	

5-13. ANTENNA BRACKET SECTION


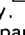


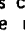
No.	Part No.	Description	Remarks	No.	Part No.	Description	Remarks
601	*3-901-217-01	CUSHION (B)		610	3-901-261-01	WASHER	
602	*3-901-220-01	BRACKET, UPPER PLATE ANTENNA		611	7-683-561-17	BOLT, WING 6X15 TYPE2	
603	*3-901-216-01	CUSHION (A)		612	7-623-213-27	SW 6, TYPE 2	
604	*X-3900-708-1	BRACKET ASSY, ANTENNA		613	7-688-006-12	W 6, MIDDLE	
605	3-901-152-01	BOLT (MBX4), HEXAGON SOCKET		614	7-684-126-08	NUT, WING (M6)	
606	3-901-221-01	BOLT, SMALL		615	7-623-210-27	SW 4, TYPE 2	
607	*3-901-218-01	PLATE, ROTARY		616	7-688-004-12	W 4, MIDDLE	
608	*3-901-226-01	BRACKET		617	7-684-124-08	NUT, WING (M4)	
609	3-901-222-01	BOLT, U					

5-14. AC ADAPTOR (ACP-88R) SECTION



Ref.No.	Part No.	Description
701	△.1-465-107-21	(US).....AC ADAPTOR (ACP-88R)
	△.1-465-107-31	(E,AEP,1-AEP,JE)...AC ADAPTOR (ACP-88R)
	△.1-465-107-41	(UK).....AC ADAPTOR (ACP-88R)
702	3-901-280-01	BUSHING, CORD
703	3-901-281-01	BUSHING, CORD
704	*2-391-411-01	COVER, CASE
705	2-403-679-01	CASE
706	*2-350-407-01	COVER (F), CASE
707	*2-350-405-01	TERMINAL
951	1-574-818-11	CORD, CONNECTION
952	△.1-551-478-00	(US).....CORD, POWER
	△.1-555-795-00	(E,AEP,1-AEP,JE)...CORD, POWER
	△.1-556-035-00	(UK).....CORD, POWER
953	1-533-183-11	HOLDER, FUSE
F1	△.1-532-286-00	(E,AEP,1-AEP,UK,JE) ...FUSE, TIME-LAG 2.5A 250V
F1	△.1-532-826-11	(US)....FUSE, GLASS TUBE 2.5A 250V
T1	△.1-449-708-11	(US).....TRANSFORMER, POWER
T1	△.1-449-709-11	(UK).....TRANSFORMER, POWER
T1	△.1-449-711-11	(E,AEP,1-AEP,JE)...TRANSFORMER, POWER
SW2	△.1-553-691-00	(US,E,AEP,1-AEP,JE)...SELECTOR, POWER VOLTAGE
SW3	△.1-570-743-21	(UK)...SWITCH, POWER

Note:
The components identified by mark  or dotted line with mark  are critical for safety. Replace only with part number specified.

Note:
Les composants identifiés par une marque  sont critiques pour la sécurité. Ne les remplacer que par une pièce portant le numéro spécifié.

SECTION 6 ELECTRICAL PARTS LIST

NOTE:

- Due to standardization, replacements in the parts list may be different from the parts specified in the diagrams or the components used on the set.
- Items marked "*" are not stocked since they are seldom required for routine service. Some delay should be anticipated when ordering these items.
- If there are two or more same circuits in a set such as a stereophonic machine, only typical circuit parts may be indicated and capacitors and resistors in other same circuits may be omitted.

CAPACITORS:MF: μ F, PF: μ F.**RESISTORS**

- All resistors are in ohms.
- F: Nonflammable

COILS

- MMH: mH, UH: μ H

SEMICONDUCTORS

In each case, U: μ , for example:
 UA...: μ A..., UPA...: μ PA...,
 UPC...: μ PC, UPD...: μ PD...

The components identified by mark Δ or dotted line with mark Δ are critical for safety. Replace only with part number specified.

Les composants identifiés par une marque Δ sont critiques pour la sécurité. Ne les remplacer que par une pièce portant le numéro spécifié.

Ref.No.	Part No.	Description	Ref.No.	Part No.	Description			
901	*1-628-282-11	PC BOARD, LAMP SW	C37	1-163-021-00	CERAMIC CHIP 0.01MF	10%	50V	
902	*1-628-283-11	PC BOARD, POWER	C38	1-163-021-00	CERAMIC CHIP 0.01MF	10%	50V	
903	*1-628-277-11	PC BOARD, LAMP	C39	1-163-085-00	CERAMIC CHIP 2PF		50V	
904	A-3689-132-A	MOUNTED PCB, TIMER	C40	1-163-085-00	CERAMIC CHIP 2PF		50V	
905	1-628-293-11	PC BOARD, FLEXIBLE	C41	1-163-125-00	CERAMIC CHIP 220PF	5%	50V	
906	1-628-292-11	PC BOARD, TIMER(10 KEY)FLEXIBLE	C42	1-163-021-00	CERAMIC CHIP 0.01MF	10%	50V	
907	1-628-290-11	PC BOARD, FUNCTION	C43	1-163-021-00	CERAMIC CHIP 0.01MF	10%	50V	
908	*1-628-291-11	10 KEY BOARD	C44	1-163-021-00	CERAMIC CHIP 0.01MF	10%	50V	
909	*1-628-281-11	PC BOARD, VR	C45	1-163-021-00	CERAMIC CHIP 0.01MF	10%	50V	
910	1-628-966-11	PC BOARD, FLEXIBLE	C46	1-163-021-00	CERAMIC CHIP 0.01MF	10%	50V	
911	*1-628-286-11	PC BOARD, PAPER LED	C51	1-163-037-11	CERAMIC CHIP 0.022MF	10%	25V	
912	*1-628-284-11	PC BOARD, DIN JACK	C52	1-163-037-11	CERAMIC CHIP 0.022MF	10%	25V	
913	*1-628-275-11	PC BOARD, JACK	C53	1-163-037-11	CERAMIC CHIP 0.022MF	10%	25V	
914	*1-628-278-11	PC BOARD, PB IN VR	C54	1-163-017-00	CERAMIC CHIP 0.0047MF	10%	50V	
915	*1-628-276-11	PC BOARD, RF GAIN	C55	1-163-137-00	CERAMIC CHIP 680PF	5%	50V	
916	A-3689-130-A	MOUNTED PCB, MICRO COMPUTER	C56	1-163-022-00	CERAMIC CHIP 0.012MF	10%	50V	
917	A-3665-029-A	MOUNTED PCB, SIGNAL	C57	1-163-809-11	CERAMIC CHIP 0.047MF	10%	25V	
918	*1-628-280-11	PC BOARD, ANTENNA POWER	C58	1-162-638-11	CERAMIC CHIP 1MF		16V	
919	A-3679-102-A	MOUNTED PCB, ACTIVE ANTENNA	C59	1-162-638-11	CERAMIC CHIP 1MF		16V	
920	*1-628-931-11	PC BOARD, ANTENNA RELAY	C60	1-163-809-11	CERAMIC CHIP 0.047MF	10%	25V	
921	A-3689-131-A	MOUNTED PCB, PRINTER	C61	1-162-638-11	CERAMIC CHIP 1MF		16V	
922	1-571-313-21	SWITCH, ROTARY SLIDE (REMOTE)	C62	1-163-021-00	CERAMIC CHIP 0.01MF	10%	50V	
ANT1	1-501-393-11	ANTENNA, TELESCOPIC	C63	1-163-021-00	CERAMIC CHIP 0.01MF	10%	50V	
ANT2	1-402-336-11	ANTENNA, FERRITE-ROD	C64	1-124-778-00	ELECT CHIP 22MF	20%	6.3V	
BZ1301	1-529-050-11	BUZZER, PIEZOELECTRIC	C65	1-163-021-00	CERAMIC CHIP 0.01MF	10%	50V	
C3	1-135-149-11	TANTAL. CHIP 2.2MF	10%	6.3V				
C4	1-163-021-00	CERAMIC CHIP 0.01MF	10%	50V				
C5	1-126-204-11	ELECT CHIP 47MF	20%	16V				
C6	1-163-038-00	CERAMIC CHIP 0.1MF		25V				
C7	1-126-206-11	ELECT CHIP 100MF	20%	6.3V				
C8	1-126-206-11	ELECT CHIP 100MF	20%	6.3V				
C11	1-163-021-00	CERAMIC CHIP 0.01MF	10%	50V				
C12	1-163-088-00	CERAMIC CHIP 5PF		50V				
C13	1-163-087-00	CERAMIC CHIP 4PF		50V				
C14	1-163-021-00	CERAMIC CHIP 0.01MF	10%	50V				
C15	1-163-088-00	CERAMIC CHIP 5PF		50V				
C18	1-163-086-00	CERAMIC CHIP 3PF		50V				
C19	1-163-021-00	CERAMIC CHIP 0.01MF	10%	50V				
C20	1-163-021-00	CERAMIC CHIP 0.01MF	10%	50V				
C21	1-163-021-00	CERAMIC CHIP 0.01MF	10%	50V				
C22	1-163-021-00	CERAMIC CHIP 0.01MF	10%	50V				
C31	1-163-123-00	CERAMIC CHIP 180PF	5%	50V				
C32	1-163-021-00	CERAMIC CHIP 0.01MF	10%	50V				
C33	1-163-021-00	CERAMIC CHIP 0.01MF	10%	50V				
C35	1-163-021-00	CERAMIC CHIP 0.01MF	10%	50V				
C36	1-163-021-00	CERAMIC CHIP 0.01MF	10%	50V				
C66	1-163-021-00	CERAMIC CHIP 0.01MF	10%	50V				
C67	1-124-778-00	ELECT CHIP 22MF	20%	6.3V				
C68	1-163-021-00	CERAMIC CHIP 0.01MF	10%	50V				
C69	1-163-015-00	CERAMIC CHIP 0.0033MF	10%	50V				
C70	1-163-015-00	CERAMIC CHIP 0.0033MF	10%	50V				
C71	1-163-809-11	CERAMIC CHIP 0.047MF	10%	25V				
C81	1-163-021-00	CERAMIC CHIP 0.01MF	10%	50V				
C82	1-163-091-00	CERAMIC CHIP 8PF		50V				
C83	1-163-103-00	CERAMIC CHIP 27PF	5%	50V				
C85	1-163-021-00	CERAMIC CHIP 0.01MF	10%	50V				
C86	1-163-021-00	CERAMIC CHIP 0.01MF	10%	50V				
C87	1-135-149-21	TANTAL. CHIP 2.2MF	10%	6.3V				
C202	1-135-149-21	TANTAL. CHIP 2.2MF	10%	6.3V				
C203	1-135-149-21	TANTAL. CHIP 2.2MF	10%	6.3V				
C204	1-135-149-21	TANTAL. CHIP 2.2MF	10%	6.3V				
C205	1-135-149-21	TANTAL. CHIP 2.2MF	10%	6.3V				
C206	1-163-019-00	CERAMIC CHIP 0.0068MF	10%	50V				
C207	1-163-133-00	CERAMIC CHIP 470PF	5%	50V				
C208	1-163-022-00	CERAMIC CHIP 0.012MF	10%	50V				
C209	1-163-143-00	CERAMIC CHIP 0.0012MF	5%	50V				

Ref.No.	Part No.	Description				Ref.No.	Part No.	Description			
C210	1-163-019-00	CERAMIC CHIP 0.0068MF	10%	50V		C275	1-163-127-00	CERAMIC CHIP 270PF	5%	50V	
C211	1-135-149-21	TANTAL. CHIP 2.2MF	10%	6.3V		C276	1-163-021-00	CERAMIC CHIP 0.01MF	10%	50V	
C213	1-163-038-00	CERAMIC CHIP 0.1MF		25V		C278	1-163-021-00	CERAMIC CHIP 0.01MF	10%	50V	
C214	1-163-038-00	CERAMIC CHIP 0.1MF		25V		C279	1-163-021-00	CERAMIC CHIP 0.01MF	10%	50V	
C215	1-163-038-00	CERAMIC CHIP 0.1MF		25V		C281	1-163-021-00	CERAMIC CHIP 0.01MF	10%	50V	
C216	1-163-038-00	CERAMIC CHIP 0.1MF		25V		C282	1-163-125-00	CERAMIC CHIP 220PF	5%	50V	
C217	1-163-018-00	CERAMIC CHIP 0.0056MF	10%	50V		C283	1-163-107-00	CERAMIC CHIP 39PF	5%	50V	
C218	1-163-137-00	CERAMIC CHIP 680PF	5%	50V		C284	1-163-125-00	CERAMIC CHIP 220PF	5%	50V	
C219	1-163-020-00	CERAMIC CHIP 0.0082MF	10%	50V		C285	1-163-125-00	CERAMIC CHIP 220PF	5%	50V	
C220	1-163-020-00	CERAMIC CHIP 0.0082MF	10%	50V		C286	1-163-115-00	CERAMIC CHIP 82PF	5%	50V	
C221	1-164-161-11	CERAMIC CHIP 0.0022MF	10%	50V		C287	1-163-131-00	CERAMIC CHIP 390PF	5%	50V	
C222	1-163-024-00	CERAMIC CHIP 0.018MF	10%	50V		C288	1-163-123-00	CERAMIC CHIP 180PF	5%	50V	
C223	1-163-017-00	CERAMIC CHIP 0.0047MF	10%	50V		C289	1-163-021-00	CERAMIC CHIP 0.01MF	10%	50V	
C224	1-163-038-00	CERAMIC CHIP 0.1MF		25V		C290	1-135-149-21	TANTAL. CHIP 2.2MF	10%	6.3V	
C226	1-163-809-11	CERAMIC CHIP 0.047MF	10%	25V		C291	1-163-021-00	CERAMIC CHIP 0.01MF	10%	50V	
C227	1-163-809-11	CERAMIC CHIP 0.047MF	10%	25V		C292	1-163-091-00	CERAMIC CHIP 8PF		50V	
C228	1-163-809-11	CERAMIC CHIP 0.047MF	10%	25V		C293	1-163-117-00	CERAMIC CHIP 100PF	5%	50V	
C229	1-163-809-11	CERAMIC CHIP 0.047MF	10%	25V		C294	1-163-117-00	CERAMIC CHIP 100PF	5%	50V	
C230	1-163-014-00	CERAMIC CHIP 0.0027MF	10%	50V		C295	1-163-141-00	CERAMIC CHIP 0.001MF	5%	50V	
C231	1-163-131-00	CERAMIC CHIP 390PF	5%	50V		C296	1-163-141-00	CERAMIC CHIP 0.001MF	5%	50V	
C232	1-163-016-00	CERAMIC CHIP 0.0039MF	10%	50V		C297	1-163-021-00	CERAMIC CHIP 0.01MF	10%	50V	
C233	1-163-016-00	CERAMIC CHIP 0.0039MF	10%	50V		C298	1-135-149-21	TANTAL. CHIP 2.2MF	10%	6.3V	
C234	1-163-143-00	CERAMIC CHIP 0.0012MF	5%	50V		C301	1-135-149-21	TANTAL. CHIP 2.2MF	10%	6.3V	
C235	1-163-020-00	CERAMIC CHIP 0.0082MF	10%	50V		C302	1-163-021-00	CERAMIC CHIP 0.01MF	10%	50V	
C236	1-163-014-00	CERAMIC CHIP 0.0027MF	10%	50V		C303	1-163-021-00	CERAMIC CHIP 0.01MF	10%	50V	
C237	1-163-809-11	CERAMIC CHIP 0.047MF	10%	25V		C304	1-135-149-21	TANTAL. CHIP 2.2MF	10%	6.3V	
C239	1-163-037-11	CERAMIC CHIP 0.022MF	10%	25V		C305	1-163-021-00	CERAMIC CHIP 0.01MF	10%	50V	
C240	1-163-037-11	CERAMIC CHIP 0.022MF	10%	25V		C306	1-135-149-21	TANTAL. CHIP 2.2MF	10%	6.3V	
C242	1-163-037-11	CERAMIC CHIP 0.022MF	10%	25V		C307	1-135-149-21	TANTAL. CHIP 2.2MF	10%	6.3V	
C243	1-163-012-00	CERAMIC CHIP 0.0018MF	10%	50V		C308	1-163-021-00	CERAMIC CHIP 0.01MF	10%	50V	
C244	1-163-123-00	CERAMIC CHIP 180PF	5%	50V		C309	1-124-779-00	ELECT CHIP 10MF	20%	16V	
C245	1-163-145-00	CERAMIC CHIP 0.0015MF	5%	50V		C310	1-163-021-00	CERAMIC CHIP 0.01MF	10%	50V	
C246	1-164-161-11	CERAMIC CHIP 0.0022MF	10%	50V		C311	1-163-021-00	CERAMIC CHIP 0.01MF	10%	50V	
C247	1-163-137-00	CERAMIC CHIP 680PF	5%	50V		C312	1-135-149-21	TANTAL. CHIP 2.2MF	10%	6.3V	
C248	1-163-017-00	CERAMIC CHIP 0.0047MF	10%	50V		C313	1-163-093-00	CERAMIC CHIP 10PF	5%	50V	
C249	1-163-145-00	CERAMIC CHIP 0.0015MF	5%	50V		C314	1-163-021-00	CERAMIC CHIP 0.01MF	10%	50V	
C250	1-163-037-11	CERAMIC CHIP 0.022MF	10%	25V		C315	1-163-021-00	CERAMIC CHIP 0.01MF	10%	50V	
C252	1-163-021-00	CERAMIC CHIP 0.01MF	10%	50V		C316	1-163-021-00	CERAMIC CHIP 0.01MF	10%	50V	
C253	1-163-021-00	CERAMIC CHIP 0.01MF	10%	50V		C317	1-163-021-00	CERAMIC CHIP 0.01MF	10%	50V	
C255	1-163-021-00	CERAMIC CHIP 0.01MF	10%	50V		C318	1-163-095-00	CERAMIC CHIP 12PF	5%	50V	
C256	1-163-139-00	CERAMIC CHIP 820PF	5%	50V		C319	1-163-091-00	CERAMIC CHIP 8PF		50V	
C257	1-163-117-00	CERAMIC CHIP 100PF	5%	50V		C320	1-163-021-00	CERAMIC CHIP 0.01MF	10%	50V	
C258	1-163-139-00	CERAMIC CHIP 820PF	5%	50V		C321	1-163-097-00	CERAMIC CHIP 15PF	5%	50V	
C259	1-163-141-00	CERAMIC CHIP 0.001MF	5%	50V		C322	1-163-021-00	CERAMIC CHIP 0.01MF	10%	50V	
C260	1-163-127-00	CERAMIC CHIP 270PF	5%	50V		C323	1-163-021-00	CERAMIC CHIP 0.01MF	10%	50V	
C261	1-163-143-00	CERAMIC CHIP 0.0012MF	5%	50V		C324	1-163-809-11	CERAMIC CHIP 0.047MF	10%	25V	
C262	1-163-137-00	CERAMIC CHIP 680PF	5%	50V		C327	1-124-779-00	ELECT CHIP 10MF	20%	16V	
C263	1-163-021-00	CERAMIC CHIP 0.01MF	10%	50V		C328	1-163-117-00	CERAMIC CHIP 100PF	5%	50V	
C265	1-163-021-00	CERAMIC CHIP 0.01MF	10%	50V		C329	1-163-117-00	CERAMIC CHIP 100PF	5%	50V	
C266	1-163-021-00	CERAMIC CHIP 0.01MF	10%	50V		C340	1-163-105-00	CERAMIC CHIP 33PF	5%	50V	
C268	1-163-021-00	CERAMIC CHIP 0.01MF	10%	50V		C341	1-163-021-00	CERAMIC CHIP 0.01MF	10%	50V	
C269	1-163-129-00	CERAMIC CHIP 330PF	5%	50V		C401	1-163-809-11	CERAMIC CHIP 0.047MF	10%	25V	
C270	1-163-111-00	CERAMIC CHIP 56PF	5%	50V		C402	1-163-809-11	CERAMIC CHIP 0.047MF	10%	25V	
C271	1-163-131-00	CERAMIC CHIP 390PF	5%	50V		C403	1-124-779-00	ELECT CHIP 10MF	20%	16V	
C272	1-163-133-00	CERAMIC CHIP 470PF	5%	50V		C404	1-163-141-00	CERAMIC CHIP 0.001MF	5%	50V	
C273	1-163-121-00	CERAMIC CHIP 150PF	5%	50V		C405	1-163-809-11	CERAMIC CHIP 0.047MF	10%	25V	
C274	1-163-139-00	CERAMIC CHIP 820PF	5%	50V		C406	1-163-809-11	CERAMIC CHIP 0.047MF	10%	25V	

Ref.No.	Part No.	Description				Ref.No.	Part No.	Description			
C407	1-163-809-11	CERAMIC CHIP 0.047MF	10%	25V		C468	1-163-021-00	CERAMIC CHIP 0.01MF	10%	50V	
C408	1-124-779-00	ELECT CHIP 10MF	20%	16V		C469	1-163-021-00	CERAMIC CHIP 0.01MF	10%	50V	
C409	1-163-021-00	CERAMIC CHIP 0.01MF	10%	50V		C501	1-162-638-11	CERAMIC CHIP 1MF		16V	
C410	1-163-809-11	CERAMIC CHIP 0.047MF	10%	25V		C502	1-124-778-00	ELECT CHIP 22MF	20%	6.3V	
C411	1-163-809-11	CERAMIC CHIP 0.047MF	10%	25V		C503	1-163-021-00	CERAMIC CHIP 0.01MF	10%	50V	
C412	1-163-038-00	CERAMIC CHIP 0.1MF		25V		C504	1-163-021-00	CERAMIC CHIP 0.01MF	10%	50V	
C413	1-163-021-00	CERAMIC CHIP 0.01MF	10%	50V		C505	1-126-199-11	ELECT CHIP 6.8MF	20%	35V	
C414	1-124-778-00	ELECT CHIP 22MF	20%	6.3V		C506	1-163-021-00	CERAMIC CHIP 0.01MF	10%	50V	
C415	1-124-779-00	ELECT CHIP 10MF	20%	16V		C508	1-124-779-00	ELECT CHIP 10MF	20%	16V	
C416	1-163-125-00	CERAMIC CHIP 220PF	5%	50V		C509	1-163-141-00	CERAMIC CHIP 0.001MF	5%	50V	
C417	1-163-125-00	CERAMIC CHIP 220PF	5%	50V		C511	1-163-129-00	CERAMIC CHIP 330PF	5%	50V	
C418	1-163-019-00	CERAMIC CHIP 0.0068MF	10%	50V		C512	1-163-129-00	CERAMIC CHIP 330PF	5%	50V	
C420	1-163-021-00	CERAMIC CHIP 0.01MF	10%	50V		C513	1-124-778-00	ELECT CHIP 22MF	20%	6.3V	
C421	1-163-037-11	CERAMIC CHIP 0.022MF	10%	25V		C514	1-124-778-00	ELECT CHIP 22MF	20%	6.3V	
C422	1-163-809-11	CERAMIC CHIP 0.047MF	10%	25V		C515	1-124-778-00	ELECT CHIP 22MF	20%	6.3V	
C423	1-163-809-11	CERAMIC CHIP 0.047MF	10%	25V		C516	1-163-809-11	CERAMIC CHIP 0.047MF	10%	25V	
C424	1-126-204-11	ELECT CHIP 47MF	20%	16V		C517	1-163-809-11	CERAMIC CHIP 0.047MF	10%	25V	
C425	1-162-638-11	CERAMIC CHIP 1MF		16V		C518	1-163-021-00	CERAMIC CHIP 0.01MF	10%	50V	
C426	1-163-038-00	CERAMIC CHIP 0.1MF		25V		C519	1-163-021-00	CERAMIC CHIP 0.01MF	10%	50V	
C427	1-162-638-11	CERAMIC CHIP 1MF		16V		C520	1-162-638-11	CERAMIC CHIP 1MF		16V	
C428	1-163-021-00	CERAMIC CHIP 0.01MF	10%	50V		C521	1-162-638-11	CERAMIC CHIP 1MF		16V	
C429	1-163-021-00	CERAMIC CHIP 0.01MF	10%	50V		C522	1-162-638-11	CERAMIC CHIP 1MF		16V	
C430	1-163-021-00	CERAMIC CHIP 0.01MF	10%	50V		C524	1-163-021-00	CERAMIC CHIP 0.01MF	10%	50V	
C431	1-163-021-00	CERAMIC CHIP 0.01MF	10%	50V		C525	1-163-021-00	CERAMIC CHIP 0.01MF	10%	50V	
C432	1-163-021-00	CERAMIC CHIP 0.01MF	10%	50V		C527	1-163-021-00	CERAMIC CHIP 0.01MF	10%	50V	
C433	1-163-809-11	CERAMIC CHIP 0.047MF	10%	25V		C528	1-163-021-00	CERAMIC CHIP 0.01MF	10%	50V	
C434	1-163-809-11	CERAMIC CHIP 0.047MF	10%	25V		C529	1-163-021-00	CERAMIC CHIP 0.01MF	10%	50V	
C435	1-163-809-11	CERAMIC CHIP 0.047MF	10%	25V		C530	1-124-778-00	ELECT CHIP 22MF	20%	6.3V	
C436	1-163-809-11	CERAMIC CHIP 0.047MF	10%	25V		C531	1-162-638-11	CERAMIC CHIP 1MF		16V	
C437	1-163-809-11	CERAMIC CHIP 0.047MF	10%	25V		C532	1-163-021-00	CERAMIC CHIP 0.01MF	10%	50V	
C438	1-163-809-11	CERAMIC CHIP 0.047MF	10%	25V		C536	1-163-021-00	CERAMIC CHIP 0.01MF	10%	50V	
C439	1-163-809-11	CERAMIC CHIP 0.047MF	10%	25V		C537	1-163-091-00	CERAMIC CHIP 8PF		50V	
C440	1-163-115-00	CERAMIC CHIP 82PF	5%	50V		C538	1-163-103-00	CERAMIC CHIP 27PF	5%	50V	
C441	1-124-778-00	ELECT CHIP 22MF	20%	6.3V		C539	1-163-021-00	CERAMIC CHIP 0.01MF	10%	50V	
C442	1-163-021-00	CERAMIC CHIP 0.01MF	10%	50V		C540	1-163-091-00	CERAMIC CHIP 8PF		50V	
C445	1-163-038-00	CERAMIC CHIP 0.1MF		25V		C541	1-163-103-00	CERAMIC CHIP 27PF	5%	50V	
C446	1-163-038-00	CERAMIC CHIP 0.1MF		25V		C542	1-163-021-00	CERAMIC CHIP 0.01MF	10%	50V	
C448	1-162-638-11	CERAMIC CHIP 1MF		16V		C543	1-124-779-00	ELECT CHIP 10MF	20%	16V	
C449	1-124-779-00	ELECT CHIP 10MF	20%	16V		C544	1-163-021-00	CERAMIC CHIP 0.01MF	10%	50V	
C450	1-163-038-00	CERAMIC CHIP 0.1MF		25V		C546	1-162-638-11	CERAMIC CHIP 1MF		16V	
C451	1-163-809-11	CERAMIC CHIP 0.047MF	10%	25V		C547	1-162-638-11	CERAMIC CHIP 1MF		16V	
C452	1-163-809-11	CERAMIC CHIP 0.047MF	10%	25V		C549	1-163-131-00	CERAMIC CHIP 390PF	5%	50V	
C453	1-163-021-00	CERAMIC CHIP 0.01MF	10%	50V		C550	1-163-131-00	CERAMIC CHIP 390PF	5%	50V	
C454	1-163-021-00	CERAMIC CHIP 0.01MF	10%	50V		C551	1-163-021-00	CERAMIC CHIP 0.01MF	10%	50V	
C455	1-124-779-00	ELECT CHIP 10MF	20%	16V		C552	1-163-021-00	CERAMIC CHIP 0.01MF	10%	50V	
C456	1-163-021-00	CERAMIC CHIP 0.01MF	10%	50V		C553	1-163-809-11	CERAMIC CHIP 0.047MF	10%	25V	
C457	1-163-021-00	CERAMIC CHIP 0.01MF	10%	50V		C554	1-163-809-11	CERAMIC CHIP 0.047MF	10%	25V	
C458	1-163-021-00	CERAMIC CHIP 0.01MF	10%	50V		C555	1-162-638-11	CERAMIC CHIP 1MF		16V	
C459	1-124-779-00	ELECT CHIP 10MF	20%	16V		C556	1-162-638-11	CERAMIC CHIP 1MF		16V	
C460	1-163-021-00	CERAMIC CHIP 0.01MF	10%	50V		C602	1-162-638-11	CERAMIC CHIP 1MF		16V	
C461	1-163-021-00	CERAMIC CHIP 0.01MF	10%	50V		C603	1-163-141-00	CERAMIC CHIP 0.001MF	5%	50V	
C462	1-163-021-00	CERAMIC CHIP 0.01MF	10%	50V		C604	1-163-141-00	CERAMIC CHIP 0.001MF	5%	50V	
C463	1-163-809-11	CERAMIC CHIP 0.047MF	10%	25V		C605	1-163-141-00	CERAMIC CHIP 0.001MF	5%	50V	
C464	1-163-809-11	CERAMIC CHIP 0.047MF	10%	25V		C606	1-162-638-11	CERAMIC CHIP 1MF		16V	
C465	1-162-638-11	CERAMIC CHIP 1MF		16V		C607	1-162-638-11	CERAMIC CHIP 1MF		16V	
C466	1-124-778-00	ELECT CHIP 22MF	20%	6.3V		C608	1-162-638-11	CERAMIC CHIP 1MF		16V	
C467	1-162-638-11	CERAMIC CHIP 1MF		16V		C609	1-164-161-11	CERAMIC CHIP 0.0022MF	10%	50V	

Ref.No.	Part No.	Description						
C610	1-164-161-11	CERAMIC CHIP 0.0022MF	10%	50V				
C611	1-164-161-11	CERAMIC CHIP 0.0022MF	10%	50V				
C612	1-163-021-00	CERAMIC CHIP 0.01MF	10%	50V				
C613	1-163-145-00	CERAMIC CHIP 0.0015MF	5%	50V				
C614	1-163-986-00	CERAMIC CHIP 0.027MF	10%	25V				
C615	1-162-638-11	CERAMIC CHIP 1MF		16V				
C616	1-162-638-11	CERAMIC CHIP 1MF		16V				
C617	1-162-638-11	CERAMIC CHIP 1MF		16V				
C619	1-162-638-11	CERAMIC CHIP 1MF		16V				
C621	1-162-638-11	CERAMIC CHIP 1MF		16V				
C623	1-163-021-00	CERAMIC CHIP 0.01MF	10%	50V				
C624	1-126-206-11	ELECT CHIP 100MF	20%	6.3V				
C625	1-126-206-11	ELECT CHIP 100MF	20%	6.3V				
C626	1-163-139-00	CERAMIC CHIP 820PF	5%	50V				
C627	1-126-206-11	ELECT CHIP 100MF	20%	6.3V				
C628	1-126-206-11	ELECT CHIP 100MF	20%	6.3V				
C629	1-126-206-11	ELECT CHIP 100MF	20%	6.3V				
C630	1-130-487-00	MYLAR 0.022MF	5%	50V				
C631	1-130-487-00	MYLAR 0.022MF	5%	50V				
C632	1-124-472-11	ELECT 470MF	20%	10V				
C633	1-124-472-11	ELECT 470MF	20%	10V				
C635	1-135-149-21	TANTAL. CHIP 2.2MF	10%	6.3V				
C636	1-135-149-21	TANTAL. CHIP 2.2MF	10%	6.3V				
C637	1-126-206-11	ELECT CHIP 100MF	20%	6.3V				
C638	1-163-117-00	CERAMIC CHIP 100PF	5%	50V				
C639	1-124-778-00	ELECT CHIP 22MF	20%	6.3V				
C640	1-162-638-11	CERAMIC CHIP 1MF		16V				
C641	1-163-141-00	CERAMIC CHIP 0.001MF	5%	50V				
C642	1-163-077-00	CERAMIC CHIP 0.1MF	10%	25V				
C643	1-162-638-11	CERAMIC CHIP 1MF		16V				
C644	1-162-638-11	CERAMIC CHIP 1MF		16V				
C645	1-162-638-11	CERAMIC CHIP 1MF		16V				
C646	1-124-778-00	ELECT CHIP 22MF	20%	6.3V				
C647	1-162-638-11	CERAMIC CHIP 1MF		16V				
C648	1-162-638-11	CERAMIC CHIP 1MF		16V				
C649	1-162-638-11	CERAMIC CHIP 1MF		16V				
C650	1-162-638-11	CERAMIC CHIP 1MF		16V				
C651	1-162-638-11	CERAMIC CHIP 1MF		16V				
C652	1-124-778-00	ELECT CHIP 22MF	20%	6.3V				
C653	1-162-638-11	CERAMIC CHIP 1MF		16V				
C654	1-162-638-11	CERAMIC CHIP 1MF		16V				
C655	1-162-638-11	CERAMIC CHIP 1MF		16V				
C656	1-162-638-11	CERAMIC CHIP 1MF		16V				
C657	1-124-778-00	ELECT CHIP 22MF	20%	6.3V				
C658	1-162-638-11	CERAMIC CHIP 1MF		16V				
C659	1-163-809-11	CERAMIC CHIP 0.047MF	10%	25V				
C660	1-163-809-11	CERAMIC CHIP 0.047MF	10%	25V				
C661	1-162-638-11	CERAMIC CHIP 1MF		16V				
C662	1-162-638-11	CERAMIC CHIP 1MF		16V				
C663	1-162-638-11	CERAMIC CHIP 1MF		16V				
C664	1-162-638-11	CERAMIC CHIP 1MF		16V				
C665	1-162-638-11	CERAMIC CHIP 1MF		16V				
C666	1-163-021-00	CERAMIC CHIP 0.01MF	10%	50V				
C667	1-162-638-11	CERAMIC CHIP 1MF		16V				
C668	1-126-157-11	(TYPE-1)...ELECT 10MF	20%	16V				
C668	1-124-779-00	(TYPE-2)...ELECT CHIP 10MF	20%	16V				
C706	1-163-038-00	CERAMIC CHIP 0.1MF		25V				
C707	1-163-038-00	CERAMIC CHIP 0.1MF		25V				
C708	1-163-021-00	CERAMIC CHIP 0.01MF	10%	50V				
C709	1-163-021-00	CERAMIC CHIP 0.01MF	10%	50V				
C710	1-163-021-00	CERAMIC CHIP 0.01MF	10%	50V				
C711	1-163-021-00	CERAMIC CHIP 0.01MF	10%	50V				
C713	1-163-021-00	CERAMIC CHIP 0.01MF	10%	50V				
C714	1-163-021-00	CERAMIC CHIP 0.01MF	10%	50V				
C716	1-163-021-00	CERAMIC CHIP 0.01MF	10%	50V				
C717	1-163-141-00	CERAMIC CHIP 0.001MF	5%	50V				
C718	1-163-021-00	CERAMIC CHIP 0.01MF	10%	50V				
C719	1-163-021-00	CERAMIC CHIP 0.01MF	10%	50V				
C720	1-163-021-00	CERAMIC CHIP 0.01MF	10%	50V				
C722	1-163-141-00	CERAMIC CHIP 0.001MF	5%	50V				
C723	1-124-360-00	ELECT 1000MF	20%	16V				
C724	1-126-206-11	ELECT CHIP 100MF	20%	6.3V				
C725	1-163-141-00	CERAMIC CHIP 0.001MF	5%	50V				
C726	1-163-141-00	CERAMIC CHIP 0.001MF	5%	50V				
C727	1-163-141-00	CERAMIC CHIP 0.001MF	5%	50V				
C728	1-163-141-00	CERAMIC CHIP 0.001MF	5%	50V				
C729	1-163-021-00	CERAMIC CHIP 0.01MF	10%	50V				
C730	1-163-021-00	CERAMIC CHIP 0.01MF	10%	50V				
C731	1-163-021-00	CERAMIC CHIP 0.01MF	10%	50V				
C732	1-163-021-00	CERAMIC CHIP 0.01MF	10%	50V				
C733	1-163-021-00	CERAMIC CHIP 0.01MF	10%	50V				
C734	1-163-021-00	CERAMIC CHIP 0.01MF	10%	50V				
C735	1-163-021-00	CERAMIC CHIP 0.01MF	10%	50V				
C737	1-163-021-00	CERAMIC CHIP 0.01MF	10%	50V				
C738	1-163-021-00	CERAMIC CHIP 0.01MF	10%	50V				
C739	1-163-117-00	CERAMIC CHIP 100PF	5%	50V				
C740	1-163-117-00	CERAMIC CHIP 100PF	5%	50V				
C741	1-163-141-00	CERAMIC CHIP 0.001MF	5%	50V				
C742	1-163-141-00	CERAMIC CHIP 0.001MF	5%	50V				
C743	1-163-021-00	CERAMIC CHIP 0.01MF	10%	50V				
C744	1-163-021-00	CERAMIC CHIP 0.01MF	10%	50V				
C745	1-124-779-00	ELECT CHIP 10MF	20%	16V				
C746	1-162-638-11	CERAMIC CHIP 1MF		16V				
C801	1-163-021-00	(TYPE-2)...CERAMIC CHIP 0.01MF	10%	50				
C802	1-124-778-00	ELECT CHIP 22MF	20%	6.3V				
C803	1-163-021-00	CERAMIC CHIP 0.01MF	10%	50V				
C804	1-163-093-00	CERAMIC CHIP 10PF	5%	50V				
C805	1-163-083-00	CERAMIC CHIP 1PF		50V				
C806	1-161-051-00	CERAMIC 0.01MF	20%	25V				
C807	1-163-113-00	CERAMIC CHIP 68PF	5%	50V				
C808	1-135-157-21	TANTAL. CHIP 10MF	10%	4V				
C809	1-163-021-00	CERAMIC CHIP 0.01MF	10%	50V				
C810	1-130-770-00	FILM 0.15MF	10%	63V				
C811	1-163-085-00	CERAMIC CHIP 2PF		50V				
C812	1-163-125-00	CERAMIC CHIP 220PF	5%	50V				
C813	1-163-021-00	CERAMIC CHIP 0.01MF	10%	50V				
C814	1-124-778-00	ELECT CHIP 22MF	20%	6.3V				
C815	1-163-021-00	CERAMIC CHIP 0.01MF	10%	50V				
C816	1-163-021-00	CERAMIC CHIP 0.01MF	10%	50V				
C817	1-163-117-00	CERAMIC CHIP 100PF	5%	50V				
C818	1-163-117-00	CERAMIC CHIP 100PF	5%	50V				
C819	1-163-021-00	CERAMIC CHIP 0.01MF	10%	50V				
C820	1-101-880-00	(TYPE-1)...CERAMIC 47PF	5%	50V				
C820	1-163-109-00	(TYPE-2)...CERAMIC CHIP 47PF	5%	50V				

Ref.No.	Part No.	Description				Ref.No.	Part No.	Description			
C821	1-163-021-00	CERAMIC CHIP 0.01MF	10%	50V		C883	1-163-107-00	CERAMIC CHIP 39PF	5%	50V	
C822	1-124-778-00	ELECT CHIP 22MF	20%	6.3V		C884	1-163-021-00	CERAMIC CHIP 0.01MF	10%	50V	
C823	1-163-021-00	CERAMIC CHIP 0.01MF	10%	50V		C885	1-163-021-00	CERAMIC CHIP 0.01MF	10%	50V	
C824	1-163-093-00	CERAMIC CHIP 10PF	5%	50V		C901	1-163-085-00	CERAMIC CHIP 2PF	-	50V	
C825	1-163-083-00	CERAMIC CHIP 1PF		50V		C902	1-135-157-21	TANTAL. CHIP 10MF	10%	4V	
C826	1-161-051-00	CERAMIC 0.01MF	20%	25V		C903	1-163-021-00	CERAMIC CHIP 0.01MF	10%	50V	
C827	1-163-021-00	CERAMIC CHIP 0.01MF	10%	50V		C904	1-163-809-11	CERAMIC CHIP 0.047MF	10%	25V	
C828	1-135-157-21	TANTAL. CHIP 10MF	10%	4V		C905	1-130-773-11	FILM 0.27MF	10%	63V	
C829	1-163-021-00	CERAMIC CHIP 0.01MF	10%	50V		C906	1-163-125-00	CERAMIC CHIP 220PF	5%	50V	
C830	1-124-778-00	ELECT CHIP 22MF	20%	6.3V		C907	1-163-085-00	CERAMIC CHIP 2PF		50V	
C831	1-163-021-00	CERAMIC CHIP 0.01MF	10%	50V		C908	1-124-778-00	ELECT CHIP 22MF	20%	6.3V	
C832	1-163-093-00	CERAMIC CHIP 10PF	5%	50V		C909	1-163-021-00	CERAMIC CHIP 0.01MF	10%	50V	
C833	1-163-083-00	CERAMIC CHIP 1PF		50V		C910	1-163-021-00	CERAMIC CHIP 0.01MF	10%	50V	
C834	1-161-051-00	CERAMIC 0.01MF	20%	25V		C911	1-163-021-00	CERAMIC CHIP 0.01MF	10%	50V	
C835	1-163-021-00	CERAMIC CHIP 0.01MF	10%	50V		C912	1-163-093-00	CERAMIC CHIP 10PF	5%	50V	
C836	1-135-157-21	TANTAL. CHIP 10MF	10%	4V		C914	1-163-107-00	CERAMIC CHIP 39PF	5%	50V	
C837	1-130-768-00	FILM 0.1MF	10%	63V		C915	1-163-021-00	CERAMIC CHIP 0.01MF	10%	50V	
C838	1-163-125-00	CERAMIC CHIP 220PF	5%	50V		C916	1-163-021-00	CERAMIC CHIP 0.01MF	10%	50V	
C839	1-163-085-00	CERAMIC CHIP 2PF		50V		C917	1-163-141-00	CERAMIC CHIP 0.001MF	5%	50V	
C840	1-163-085-00	CERAMIC CHIP 2PF		50V		C918	1-163-141-00	CERAMIC CHIP 0.001MF	5%	50V	
C841	1-124-778-00	ELECT CHIP 22MF	20%	6.3V		C919	1-163-141-00	CERAMIC CHIP 0.001MF	5%	50V	
C842	1-163-021-00	CERAMIC CHIP 0.01MF	10%	50V		C920	1-163-141-00	CERAMIC CHIP 0.001MF	5%	50V	
C843	1-163-021-00	CERAMIC CHIP 0.01MF	10%	50V		C921	1-163-117-00	CERAMIC CHIP 100PF	5%	50V	
C844	1-163-021-00	CERAMIC CHIP 0.01MF	10%	50V		C922	1-163-117-00	CERAMIC CHIP 100PF	5%	50V	
C845	1-163-021-00	CERAMIC CHIP 0.01MF	10%	50V		C923	1-163-117-00	CERAMIC CHIP 100PF	5%	50V	
C851	1-163-117-00	CERAMIC CHIP 100PF	5%	50V		C924	1-163-117-00	CERAMIC CHIP 100PF	5%	50V	
C852	1-124-778-00	ELECT CHIP 22MF	20%	6.3V		C925	1-163-117-00	CERAMIC CHIP 100PF	5%	50V	
C853	1-163-021-00	CERAMIC CHIP 0.01MF	10%	50V		C926	1-163-117-00	CERAMIC CHIP 100PF	5%	50V	
C854	1-163-117-00	CERAMIC CHIP 100PF	5%	50V		C927	1-135-157-21	TANTAL. CHIP 10MF	10%	4V	
C855	1-163-117-00	CERAMIC CHIP 100PF	5%	50V		C928	1-163-021-00	CERAMIC CHIP 0.01MF	10%	50V	
C856	1-163-117-00	CERAMIC CHIP 100PF	5%	50V		C929	1-163-117-00	CERAMIC CHIP 100PF	5%	50V	
C857	1-163-093-00	CERAMIC CHIP 10PF	5%	50V		C930	1-163-021-00	CERAMIC CHIP 0.01MF	10%	50V	
C858	1-163-809-11	CERAMIC CHIP 0.047MF	10%	25V		C931	1-163-021-00	CERAMIC CHIP 0.01MF	10%	50V	
C859	1-130-770-00	FILM 0.15MF	10%	63V		C940	1-135-157-21	TANTAL. CHIP 10MF	10%	4V	
C860	1-124-778-00	ELECT CHIP 22MF	20%	6.3V		C941	1-163-021-00	CERAMIC CHIP 0.01MF	10%	50V	
C861	1-163-021-00	CERAMIC CHIP 0.01MF	10%	50V		C942	1-163-109-00	CERAMIC CHIP 47PF	5%	50V	
C862	1-163-021-00	CERAMIC CHIP 0.01MF	10%	50V		C943	1-161-051-00	CERAMIC 0.01MF	20%	25V	
C863	1-163-101-00	CERAMIC CHIP 22PF	5%	50V		C944	1-163-083-00	CERAMIC CHIP 1PF		50V	
C864	1-163-077-00	CERAMIC CHIP 0.1MF	10%	25V		C945	1-163-085-00	CERAMIC CHIP 2PF		50V	
C865	1-163-038-00	CERAMIC CHIP 0.1MF		25V		C951	1-124-778-00	ELECT CHIP 22MF	20%	6.3V	
C866	1-163-021-00	CERAMIC CHIP 0.01MF	10%	50V		C952	1-163-087-00	CERAMIC CHIP 4PF		50V	
C867	1-163-021-00	CERAMIC CHIP 0.01MF	10%	50V		C953	1-163-088-00	CERAMIC CHIP 5PF		50V	
C868	1-163-021-00	CERAMIC CHIP 0.01MF	10%	50V		C954	1-126-199-11	ELECT CHIP 6.8MF	20%	35V	
C869	1-163-129-00	CERAMIC CHIP 330PF	5%	50V		C955	1-130-768-00	FILM 0.1MF	10%	63V	
C870	1-163-139-00	CERAMIC CHIP 820PF	5%	50V		C956	1-124-778-00	ELECT CHIP 22MF	20%	6.3V	
C871	1-163-111-00	CERAMIC CHIP 56PF	5%	50V		C957	1-163-021-00	CERAMIC CHIP 0.01MF	10%	50V	
C872	1-163-077-00	CERAMIC CHIP 0.1MF	10%	25V		C958	1-163-021-00	CERAMIC CHIP 0.01MF	10%	50V	
C873	1-163-038-00	CERAMIC CHIP 0.1MF		25V		C960	1-124-778-00	ELECT CHIP 22MF	20%	6.3V	
C874	1-163-117-00	CERAMIC CHIP 100PF	5%	50V		C961	1-163-021-00	CERAMIC CHIP 0.01MF	10%	50V	
C875	1-163-077-00	CERAMIC CHIP 0.1MF	10%	25V		C962	1-163-021-00	CERAMIC CHIP 0.01MF	10%	50V	
C876	1-163-077-00	CERAMIC CHIP 0.1MF	10%	25V		C964	1-163-021-00	CERAMIC CHIP 0.01MF	10%	50V	
C877	1-163-021-00	CERAMIC CHIP 0.01MF	10%	50V		C965	1-163-021-00	CERAMIC CHIP 0.01MF	10%	50V	
C878	1-163-077-00	CERAMIC CHIP 0.1MF	10%	25V		C966	1-163-021-00	CERAMIC CHIP 0.01MF	10%	50V	
C879	1-163-038-00	CERAMIC CHIP 0.1MF		25V		C967	1-163-021-00	CERAMIC CHIP 0.01MF	10%	50V	
C880	1-163-117-00	CERAMIC CHIP 100PF	5%	50V		C968	1-163-021-00	CERAMIC CHIP 0.01MF	10%	50V	
C881	1-163-021-00	CERAMIC CHIP 0.01MF	10%	50V		C1001	1-163-021-00	CERAMIC CHIP 0.01MF	10%	50V	
C882	1-135-149-21	TANTAL. CHIP 2.2MF	10%	6.3V		C1002	1-163-021-00	CERAMIC CHIP 0.01MF	10%	50V	

Ref.No.	Part No.	Description				Ref.No.	Part No.	Description			
C1003	1-126-199-11	ELECT CHIP 6.8MF	20%	35V		C1104	1-163-021-00	CERAMIC CHIP 0.01MF	10%	50V	
C1004	1-163-021-00	CERAMIC CHIP 0.01MF	10%	50V		C1105	1-163-141-00	CERAMIC CHIP 0.001MF	5%	50V	
C1005	1-163-077-00	CERAMIC CHIP 0.1MF	10%	25V		C1111	1-163-117-00	CERAMIC CHIP 100PF	5%	50V	
C1006	1-163-021-00	CERAMIC CHIP 0.01MF	10%	50V		C1112	1-163-117-00	CERAMIC CHIP 100PF	5%	50V	
C1007	1-163-077-00	CERAMIC CHIP 0.1MF	10%	25V		C1113	1-163-077-00	CERAMIC CHIP 0.1MF	10%	25V	
C1008	1-126-199-11	ELECT CHIP 6.8MF	20%	35V		C1114	1-163-077-00	CERAMIC CHIP 0.1MF	10%	25V	
C1009	1-163-117-00	CERAMIC CHIP 100PF	5%	50V		C1115	1-163-077-00	CERAMIC CHIP 0.1MF	10%	25V	
C1010	1-163-117-00	CERAMIC CHIP 100PF	5%	50V		C1116	1-163-077-00	CERAMIC CHIP 0.1MF	10%	25V	
C1011	1-163-077-00	CERAMIC CHIP 0.1MF	10%	25V		C1117	1-163-077-00	CERAMIC CHIP 0.1MF	10%	25V	
C1012	1-163-038-00	CERAMIC CHIP 0.1MF		25V		C1118	1-163-077-00	CERAMIC CHIP 0.1MF	10%	25V	
C1013	1-163-021-00	CERAMIC CHIP 100PF	5%	50V		C1119	1-163-077-00	CERAMIC CHIP 0.1MF	10%	25V	
C1014	1-163-117-00	CERAMIC CHIP 100PF	5%	50V		C1120	1-163-077-00	CERAMIC CHIP 0.1MF	10%	25V	
C1015	1-163-111-00	CERAMIC CHIP 56PF	5%	50V		C1121	1-163-021-00	CERAMIC CHIP 0.01MF	10%	50V	
C1016	1-163-021-00	CERAMIC CHIP 0.01MF	10%	50V		C1122	1-163-021-00	CERAMIC CHIP 0.01MF	10%	50V	
C1017	1-163-021-00	CERAMIC CHIP 0.01MF	10%	50V		C1123	1-163-021-00	CERAMIC CHIP 0.01MF	10%	50V	
C1021	1-126-199-11	ELECT CHIP 6.8MF	20%	35V		C1124	1-163-093-00	CERAMIC CHIP 10PF	5%	50V	
C1022	1-126-199-11	ELECT CHIP 6.8MF	20%	35V		C1125	1-163-021-00	CERAMIC CHIP 0.01MF	10%	50V	
C1023	1-163-021-00	CERAMIC CHIP 0.01MF	10%	50V		C1126	1-163-021-00	CERAMIC CHIP 0.01MF	10%	50V	
C1024	1-163-021-00	CERAMIC CHIP 0.01MF	10%	50V		C1127	1-163-021-00	CERAMIC CHIP 0.01MF	10%	50V	
C1025	1-126-199-11	ELECT CHIP 6.8MF	20%	35V		C1128	1-163-021-00	CERAMIC CHIP 0.01MF	10%	50V	
C1026	1-163-021-00	CERAMIC CHIP 0.01MF	10%	50V		C1131	1-163-117-00	CERAMIC CHIP 100PF	5%	50V	
C1027	1-163-021-00	CERAMIC CHIP 0.01MF	10%	50V		C1132	1-163-117-00	CERAMIC CHIP 100PF	5%	50V	
C1028	1-126-199-11	ELECT CHIP 6.8MF	20%	35V		C1133	1-163-117-00	CERAMIC CHIP 100PF	5%	50V	
C1031	1-163-021-00	CERAMIC CHIP 0.01MF	10%	50V		C1134	1-163-117-00	CERAMIC CHIP 100PF	5%	50V	
C1032	1-163-077-00	CERAMIC CHIP 0.1MF	10%	25V		C1135	1-163-117-00	CERAMIC CHIP 100PF	5%	50V	
C1033	1-163-017-00	CERAMIC CHIP 0.0047MF	10%	50V		C1136	1-163-117-00	CERAMIC CHIP 100PF	5%	50V	
C1034	1-126-206-11	ELECT CHIP 100MF	20%	6.3V		C1141	1-163-021-00	CERAMIC CHIP 0.01MF	10%	50V	
C1035	1-163-021-00	CERAMIC CHIP 0.01MF	10%	50V		C1143	1-163-021-00	CERAMIC CHIP 0.01MF	10%	50V	
C1041	1-163-021-00	CERAMIC CHIP 0.01MF	10%	50V		C1144	1-163-021-00	CERAMIC CHIP 0.01MF	10%	50V	
C1042	1-163-021-00	CERAMIC CHIP 0.01MF	10%	50V		C1145	1-163-021-00	CERAMIC CHIP 0.01MF	10%	50V	
C1043	1-126-199-11	ELECT CHIP 6.8MF	20%	35V		C1146	1-163-021-00	CERAMIC CHIP 0.01MF	10%	50V	
C1044	1-163-021-00	CERAMIC CHIP 0.01MF	10%	50V		C1147	1-163-021-00	CERAMIC CHIP 0.01MF	10%	50V	
C1045	1-126-199-11	ELECT CHIP 6.8MF	20%	35V		C1148	1-163-021-00	CERAMIC CHIP 0.01MF	10%	50V	
C1046	1-163-021-00	CERAMIC CHIP 0.01MF	10%	50V		C1149	1-163-117-00	CERAMIC CHIP 100PF	5%	50V	
C1047	1-163-021-00	CERAMIC CHIP 0.01MF	10%	50V		C1150	1-163-117-00	CERAMIC CHIP 100PF	5%	50V	
C1048	1-164-161-11	CERAMIC CHIP 0.0022MF	10%	50V		C1151	1-163-117-00	CERAMIC CHIP 100PF	5%	50V	
C1049	1-126-199-11	ELECT CHIP 6.8MF	20%	35V		C1152	1-163-117-00	CERAMIC CHIP 100PF	5%	50V	
C1050	1-163-021-00	CERAMIC CHIP 0.01MF	10%	50V		C1153	1-163-117-00	CERAMIC CHIP 100PF	5%	50V	
C1051	1-163-021-00	CERAMIC CHIP 0.01MF	10%	50V		C1154	1-163-077-00	CERAMIC CHIP 0.1MF	10%	25V	
C1052	1-126-199-11	ELECT CHIP 6.8MF	20%	35V		C1155	1-163-077-00	CERAMIC CHIP 0.1MF	10%	25V	
C1053	1-163-021-00	CERAMIC CHIP 0.01MF	10%	50V		C1156	1-163-077-00	CERAMIC CHIP 0.1MF	10%	25V	
C1061	1-163-038-00	CERAMIC CHIP 0.1MF		25V		C1161	1-163-117-00	CERAMIC CHIP 100PF	5%	50V	
C1062	1-163-021-00	CERAMIC CHIP 0.01MF	10%	50V		C1162	1-163-117-00	CERAMIC CHIP 100PF	5%	50V	
C1063	1-125-513-11	DOUBLE LAYER 47000MF		5.5V		C1163	1-163-141-00	CERAMIC CHIP 0.001MF	5%	50V	
C1064	1-126-199-11	ELECT CHIP 6.8MF	20%	35V		C1164	1-163-141-00	CERAMIC CHIP 0.001MF	5%	50V	
C1071	1-126-206-11	ELECT CHIP 100MF	20%	6.3V		C1165	1-163-021-00	CERAMIC CHIP 0.01MF	10%	50V	
C1072	1-126-206-11	ELECT CHIP 100MF	20%	6.3V		C1166	1-163-021-00	CERAMIC CHIP 0.01MF	10%	50V	
C1073	1-126-206-11	ELECT CHIP 100MF	20%	6.3V		C1167	1-163-021-00	CERAMIC CHIP 0.01MF	10%	50V	
C1074	1-126-206-11	ELECT CHIP 100MF	20%	6.3V		C1168	1-163-117-00	CERAMIC CHIP 100PF	5%	50V	
C1075	1-125-404-00	DOUBLE LAYER 0.47F		5.5V		C1169	1-163-021-00	CERAMIC CHIP 0.01MF	10%	50V	
C1076	1-126-204-11	ELECT CHIP 47MF	20%	16V		C1171	1-163-077-00	CERAMIC CHIP 0.1MF	10%	25V	
C1077	1-163-021-00	CERAMIC CHIP 0.01MF	10%	50V		C1172	1-163-077-00	CERAMIC CHIP 0.1MF	10%	25V	
C1078	1-162-638-11	CERAMIC CHIP 1MF		16V		C1173	1-163-077-00	CERAMIC CHIP 0.1MF	10%	25V	
C1099	1-565-923-11	BAR, BUS				C1174	1-163-077-00	CERAMIC CHIP 0.1MF	10%	25V	
C1101	1-163-021-00	CERAMIC CHIP 0.01MF	10%	50V		C1175	1-163-077-00	CERAMIC CHIP 0.1MF	10%	25V	
C1102	1-163-021-00	CERAMIC CHIP 0.01MF	10%	50V		C1176	1-163-077-00	CERAMIC CHIP 0.1MF	10%	25V	
C1103	1-163-021-00	CERAMIC CHIP 0.01MF	10%	50V		C1177	1-163-077-00	CERAMIC CHIP 0.1MF	10%	25V	

Ref.No.	Part No.	Description				Ref.No.	Part No.	Description			
C1181	1-163-021-00	CERAMIC CHIP 0.01MF	10%	50V		C1304	1-163-021-00	CERAMIC CHIP 0.01MF	10%	50V	
C1182	1-163-021-00	CERAMIC CHIP 0.01MF	10%	50V		C1305	1-163-021-00	CERAMIC CHIP 0.01MF	10%	50V	
C1183	1-163-117-00	CERAMIC CHIP 100PF	5%	50V		C1306	1-163-021-00	CERAMIC CHIP 0.01MF	10%	50V	
C1184	1-163-117-00	CERAMIC CHIP 100PF	5%	50V		C1307	1-163-021-00	CERAMIC CHIP 0.01MF	10%	50V	
C1185	1-163-117-00	CERAMIC CHIP 100PF	5%	50V		C1308	1-163-021-00	CERAMIC CHIP 0.01MF	10%	50V	
C1186	1-163-117-00	CERAMIC CHIP 100PF	5%	50V		C1309	1-163-021-00	CERAMIC CHIP 0.01MF	10%	50V	
C1187	1-163-093-00	CERAMIC CHIP 10PF	5%	50V		C1310	1-163-021-00	CERAMIC CHIP 0.01MF	10%	50V	
C1188	1-163-093-00	CERAMIC CHIP 10PF	5%	50V		C1311	1-162-638-11	CERAMIC CHIP 1MF		16V	
C1189	1-163-021-00	CERAMIC CHIP 0.01MF	10%	50V		C1312	1-163-021-00	CERAMIC CHIP 0.01MF	10%	50V	
C1201	1-163-077-00	CERAMIC CHIP 0.1MF	10%	25V		C1313	1-163-021-00	CERAMIC CHIP 0.01MF	10%	50V	
C1202	1-163-021-00	CERAMIC CHIP 0.01MF	10%	50V		C1314	1-163-021-00	CERAMIC CHIP 0.01MF	10%	50V	
C1205	1-163-021-00	CERAMIC CHIP 0.01MF	10%	50V		C1315	1-163-021-00	CERAMIC CHIP 0.01MF	10%	50V	
C1206	1-125-404-00	DOUBLE LAYER 0.47F		5.5V		C1316	1-163-021-00	CERAMIC CHIP 0.01MF	10%	50V	
C1207	1-125-498-11	DOUBLE LAYER 1F		5.5V		C1317	1-163-093-00	CERAMIC CHIP 10PF	5%	50V	
C1208	1-124-893-11	ELECT 2200MF	20%	10V		C1318	1-163-102-00	CERAMIC CHIP 24PF	5%	50V	
C1209	1-163-021-00	CERAMIC CHIP 0.01MF	10%	50V		C1319	1-163-021-00	CERAMIC CHIP 0.01MF	10%	50V	
C1251	1-162-638-11	CERAMIC CHIP 1MF		16V		C1320	1-163-021-00	CERAMIC CHIP 0.01MF	10%	50V	
C1252	1-163-021-00	CERAMIC CHIP 0.01MF	10%	50V		C1321	1-163-021-00	CERAMIC CHIP 0.01MF	10%	50V	
C1253	1-163-021-00	CERAMIC CHIP 0.01MF	10%	50V		C1322	1-163-105-00	CERAMIC CHIP 33PF	5%	50V	
C1254	1-163-021-00	CERAMIC CHIP 0.01MF	10%	50V		C1323	1-162-638-11	CERAMIC CHIP 1MF		16V	
C1255	1-163-021-00	CERAMIC CHIP 0.01MF	10%	50V		C2001	1-163-113-00	CERAMIC CHIP 68PF	5%	50V	
C1256	1-163-021-00	CERAMIC CHIP 0.01MF	10%	50V		C2002	1-163-125-00	CERAMIC CHIP 220PF	5%	50V	
C1257	1-163-021-00	CERAMIC CHIP 0.01MF	10%	50V		C2003	1-163-091-00	CERAMIC CHIP 8PF		50V	
C1258	1-163-021-00	CERAMIC CHIP 0.01MF	10%	50V		C2004	1-163-021-00	CERAMIC CHIP 0.01MF	10%	50V	
C1259	1-163-021-00	CERAMIC CHIP 0.01MF	10%	50V		C2005	1-163-021-00	CERAMIC CHIP 0.01MF	10%	50V	
C1260	1-163-021-00	CERAMIC CHIP 0.01MF	10%	50V		C2006	1-135-100-21	TANTAL. CHIP 6.8MF	20%	6.3V	
C1261	1-163-021-00	CERAMIC CHIP 0.01MF	10%	50V		C2007	1-163-021-00	CERAMIC CHIP 0.01MF	10%	50V	
C1262	1-163-021-00	CERAMIC CHIP 0.01MF	10%	50V		C2008	1-163-021-00	CERAMIC CHIP 0.01MF	10%	50V	
C1263	1-163-021-00	CERAMIC CHIP 0.01MF	10%	50V		C2009	1-163-021-00	CERAMIC CHIP 0.01MF	10%	50V	
C1264	1-163-021-00	CERAMIC CHIP 0.01MF	10%	50V		C2010	1-163-086-00	CERAMIC CHIP 3PF		50V	
C1265	1-163-021-00	CERAMIC CHIP 0.01MF	10%	50V		C2011	1-163-021-00	CERAMIC CHIP 0.01MF	10%	50V	
C1266	1-163-021-00	CERAMIC CHIP 0.01MF	10%	50V		C2012	1-135-100-21	TANTAL. CHIP 6.8MF	20%	6.3V	
C1267	1-163-021-00	CERAMIC CHIP 0.01MF	10%	50V		C2013	1-163-021-00	CERAMIC CHIP 0.01MF	10%	50V	
C1268	1-163-021-00	CERAMIC CHIP 0.01MF	10%	50V		C2015	1-163-809-11	CERAMIC CHIP 0.047MF	10%	25V	
C1269	1-163-021-00	CERAMIC CHIP 0.01MF	10%	50V		C2016	1-163-021-00	CERAMIC CHIP 0.01MF	10%	50V	
C1270	1-163-021-00	CERAMIC CHIP 0.01MF	10%	50V		C2017	1-163-021-00	CERAMIC CHIP 0.01MF	10%	50V	
C1271	1-163-021-00	CERAMIC CHIP 0.01MF	10%	50V		C2018	1-135-149-21	TANTAL. CHIP 2.2MF	10%	6.3V	
C1272	1-163-021-00	CERAMIC CHIP 0.01MF	10%	50V		C2019	1-163-021-00	CERAMIC CHIP 0.01MF	10%	50V	
C1273	1-163-021-00	CERAMIC CHIP 0.01MF	10%	50V		C2020	1-135-100-21	TANTAL. CHIP 6.8MF	20%	6.3V	
C1274	1-163-021-00	CERAMIC CHIP 0.01MF	10%	50V		C2021	1-163-021-00	CERAMIC CHIP 0.01MF	10%	50V	
C1275	1-163-021-00	CERAMIC CHIP 0.01MF	10%	50V		C2022	1-135-100-21	TANTAL. CHIP 6.8MF	20%	6.3V	
C1276	1-163-021-00	CERAMIC CHIP 0.01MF	10%	50V		C2023	1-163-021-00	CERAMIC CHIP 0.01MF	10%	50V	
C1277	1-163-021-00	CERAMIC CHIP 0.01MF	10%	50V		C2024	1-135-149-21	TANTAL. CHIP 2.2MF	10%	6.3V	
C1278	1-163-021-00	CERAMIC CHIP 0.01MF	10%	50V		C2025	1-163-088-00	CERAMIC CHIP 5PF		50V	
C1279	1-163-021-00	CERAMIC CHIP 0.01MF	10%	50V		C2026	1-135-100-21	TANTAL. CHIP 6.8MF	20%	6.3V	
C1280	1-163-093-00	CERAMIC CHIP 10PF	5%	50V		C2027	1-163-021-00	CERAMIC CHIP 0.01MF	10%	50V	
C1281	1-163-093-00	CERAMIC CHIP 10PF	5%	50V		C2028	1-163-113-00	CERAMIC CHIP 68PF	5%	50V	
C1282	1-163-117-00	CERAMIC CHIP 100PF	5%	50V		C2029	1-163-021-00	CERAMIC CHIP 0.01MF	10%	50V	
C1283	1-163-117-00	CERAMIC CHIP 100PF	5%	50V		C2030	1-124-778-00	ELECT CHIP 22MF	20%	6.3V	
C1284	1-163-117-00	CERAMIC CHIP 100PF	5%	50V		C2031	1-163-021-00	CERAMIC CHIP 0.01MF	10%	50V	
C1285	1-163-117-00	CERAMIC CHIP 100PF	5%	50V		C2032	1-124-778-00	ELECT CHIP 22MF	20%	6.3V	
C1286	1-163-021-00	CERAMIC CHIP 0.01MF	10%	50V		C2033	1-163-021-00	CERAMIC CHIP 0.01MF	10%	50V	
C1287	1-163-021-00	CERAMIC CHIP 0.01MF	10%	50V		C2034	1-135-149-21	TANTAL. CHIP 2.2MF	10%	6.3V	
C1288	1-163-021-00	CERAMIC CHIP 0.01MF	10%	50V		C2035	1-163-021-00	CERAMIC CHIP 0.01MF	10%	50V	
C1301	1-163-021-00	CERAMIC CHIP 0.01MF	10%	50V		C2036	1-163-077-00	CERAMIC CHIP 0.1MF	10%	25V	
C1302	1-163-021-00	CERAMIC CHIP 0.01MF	10%	50V		C2037	1-163-021-00	CERAMIC CHIP 0.01MF	10%	50V	
C1303	1-163-021-00	CERAMIC CHIP 0.01MF	10%	50V		C2038	1-163-021-00	CERAMIC CHIP 0.01MF	10%	50V	

Ref.No.	Part No.	Description
C2039	1-124-778-00	ELECT CHIP 22MF 20% 6.3V
C2040	1-163-021-00	CERAMIC CHIP 0.01MF 10% 50V
C2041	1-135-149-21	TANTAL. CHIP 2.2MF 10% 6.3V
C2042	1-163-101-00	CERAMIC CHIP 22PF 5% 50V
C2201	1-162-638-11	CERAMIC CHIP 1MF 10% 16V
C2301	1-135-149-21	TANTAL. CHIP 2.2MF 10% 6.3V
C2302	1-163-021-00	CERAMIC CHIP 0.01MF 10% 50V
C2303	1-163-021-00	CERAMIC CHIP 0.01MF 10% 50V
C2304	1-135-149-21	TANTAL. CHIP 2.2MF 10% 6.3V
CF1	1-567-939-11	FILTER, CERAMIC (10.7MHZ)
CF31	1-567-389-11	FILTER, CERAMIC (10.7MHZ)
CF51	1-567-946-11	FILTER, CERAMIC (455kHz SAT)
CF401	1-567-947-11	FILTER, CERAMIC (455kHz AM)
CF402	1-567-941-11	FILTER, CERAMIC (455kHz SPEANA)
CF403	1-567-943-11	FILTER, CERAMIC (455kHz AM(W))
CF404	1-567-945-11	FILTER, CERAMIC (455kHz AM(N))
CF406	1-567-944-11	FILTER, CERAMIC (455kHz NFM)
CF407	1-567-942-11	FILTER, CERAMIC (455kHz FAX)
CF408	1-567-844-11	FILTER, CERAMIC (455kHz)
CF409	1-567-940-11	FILTER, CERAMIC (10.7MHZ BLUE)
CF410	1-577-218-11	FILTER, CERAMIC(DISCRIMINATOR)(NFM DET)
CF411	1-567-939-11	FILTER, CERAMIC (10.7MHZ)
CF412	1-567-939-11	FILTER, CERAMIC (10.7MHZ)
CF413	1-567-940-11	FILTER, CERAMIC (10.7MHZ BLUE)
CN1	*1-506-467-11	PIN, CONNECTOR 2P
CN2	*1-506-467-11	PIN, CONNECTOR 2P
CN3	*1-506-467-11	PIN, CONNECTOR 2P
CN301	*1-506-468-11	PIN, CONNECTOR 3P
CN303	*1-506-467-11	PIN, CONNECTOR 2P
CN304	*1-506-467-11	PIN, CONNECTOR 2P
CN601	*1-506-470-11	PIN, CONNECTOR 5P
CN602	*1-506-470-11	PIN, CONNECTOR 5P
CN604	*1-506-475-11	PIN, CONNECTOR 10P
CN605	*1-506-475-11	PIN, CONNECTOR 10P
CN608	*1-506-467-11	PIN, CONNECTOR 2P
CN609	*1-506-467-11	PIN, CONNECTOR 2P
CN610	*1-506-467-11	PIN, CONNECTOR 2P
CN611	*1-506-469-11	PIN, CONNECTOR 4P
CN701	*1-564-419-11	HEADER, SPRING (POWER) 2P
CN702	*1-506-475-11	PIN, CONNECTOR 10P
CN703	*1-564-419-11	HEADER, SPRING (POWER) 2P
CN704	*1-506-475-11	PIN, CONNECTOR 10P
CN705	*1-564-419-11	HEADER, SPRING (POWER) 2P
CN706	*1-564-419-11	HEADER, SPRING (POWER) 2P
CN707	*1-506-469-11	PIN, CONNECTOR 4P
CN801	*1-506-467-11	PIN, CONNECTOR 2P
CN802	*1-506-467-11	PIN, CONNECTOR 2P
CN803	*1-506-467-11	PIN, CONNECTOR 2P
CN1001	*1-506-475-11	PIN, CONNECTOR 10P
CN1002	*1-506-475-11	PIN, CONNECTOR 10P
CN1003	*1-506-475-11	PIN, CONNECTOR 10P
CN1004	*1-506-475-11	PIN, CONNECTOR 10P
CN1005	*1-564-419-11	HEADER, SPRING (POWER) 2P
CN1006	*1-506-469-11	PIN, CONNECTOR 4P
CN1007	*1-506-468-11	PIN, CONNECTOR 3P
CN1008	*1-506-480-11	PIN, CONNECTOR 15P
CN1009	*1-506-470-11	PIN, CONNECTOR 5P

Ref.No.	Part No.	Description
CN1051	1-526-659-00	SOCKET, IC (DP) 28P
CN1052	1-526-659-00	SOCKET, IC (DP) 28P
CN1101	*1-562-882-11	SOCKET, CONNECTOR 12P
CN1151	*1-506-475-11	PIN, CONNECTOR 10P
CN1152	*1-566-866-11	SOCKET, CONNECTOR 8P (RS232C)
CN1201	*1-506-468-11	PIN, CONNECTOR 3P
CN1202	*1-506-475-11	PIN, CONNECTOR 10P
CN1203	1-566-948-11	SOCKET, CONNECTOR 32P
CN1204	*1-506-467-11	PIN, CONNECTOR 2P
CN1205	*1-564-419-11	HEADER, SPRING (POWER) 2P
CN1301	*1-506-470-11	PIN, CONNECTOR 5P
CN1302	*1-506-480-11	PIN, CONNECTOR 15P
CN1303	1-566-532-11	CONNECTOR, FPC (ZIF) 16P
CN1304	1-566-532-11	CONNECTOR, FPC (ZIF) 16P
CN1305	1-566-532-11	CONNECTOR, FPC (ZIF) 16P
CN1351	1-535-686-11	CONDUCTOR BOARD, CONNECTION
CN1352	1-535-686-11	CONDUCTOR BOARD, CONNECTION
CN1401	1-566-532-11	CONNECTOR, FPC (ZIF) 16P
CN1501	1-566-532-11	CONNECTOR, FPC (ZIF) 16P
CN1502	1-566-532-11	CONNECTOR, FPC (ZIF) 16P
CN2201	*1-506-467-11	PIN, CONNECTOR 2P
CT31	1-141-347-11	CAP, VAR, TRIMMER (CHIP)
CT501	1-141-331-11	CAP, VAR, TRIMMER (CHIP)
CT821	1-141-347-11	CAP, VAR, TRIMMER (CHIP)
CT851	1-141-347-11	CAP, VAR, TRIMMER (CHIP)
CT1001	1-141-311-11	CAP, VAR, TRIMMER (CHIP) 20P
CT1301	1-141-311-11	CAP, VAR, TRIMMER (CHIP) 20P
D1	8-719-123-85	DIODE 1SS304
D2	8-719-123-85	DIODE 1SS304
D3	8-719-123-85	DIODE 1SS304
D4	8-719-123-85	DIODE 1SS304
D31	8-719-941-25	DIODE HSM2693
D32	8-719-941-25	DIODE HSM2693
D33	8-713-300-00	DIODE 1T33
D34	8-713-300-00	DIODE 1T33
D35	8-719-123-85	DIODE 1SS304
D51	8-719-100-05	DIODE 1S2837
D52	8-719-100-05	DIODE 1S2837
D101	8-719-903-27	(TYPE-1)...DIODE 1SS168
D101	8-719-123-85	(TYPE-2)...DIODE 1SS304
D102	8-719-123-85	DIODE 1SS304
D103	8-719-903-27	(TYPE-1)...DIODE 1SS168
D103	8-719-123-85	(TYPE-2)...DIODE 1SS304
D104	8-719-123-85	DIODE 1SS304
D201	8-719-941-25	DIODE HSM2693
D202	8-719-941-25	DIODE HSM2693
D203	8-719-941-25	DIODE HSM2693
D204	8-719-941-25	DIODE HSM2693
D205	8-719-941-25	DIODE HSM2693
D206	8-719-941-25	DIODE HSM2693
D207	8-719-941-25	DIODE HSM2693
D208	8-719-941-25	DIODE HSM2693
D209	8-719-941-25	DIODE HSM2693
D210	8-719-941-25	DIODE HSM2693
D211	8-719-941-25	DIODE HSM2693

Ref.No.	Part No.	Description
D212	8-719-941-25	DIODE HSM2693
D213	8-719-941-25	DIODE HSM2693
D214	8-719-941-25	DIODE HSM2693
D215	8-719-941-25	DIODE HSM2693
D216	8-719-941-25	DIODE HSM2693
D217	8-719-941-25	DIODE HSM2693
D218	8-719-941-25	DIODE HSM2693
D219	8-719-941-25	DIODE HSM2693
D220	8-719-941-25	DIODE HSM2693
D221	8-719-941-25	DIODE HSM2693
D301	8-719-123-85	DIODE 1SS304
D302	8-719-123-85	DIODE 1SS304
D303	8-719-123-85	DIODE 1SS304
D304	8-719-123-85	DIODE 1SS304
D305	8-719-123-85	DIODE 1SS304
D306	8-719-123-85	DIODE 1SS304
D401	8-719-911-19	DIODE 1SS119
D402	8-719-911-19	DIODE 1SS119
D404	8-719-938-72	DIODE SB01-05CP
D405	8-719-941-25	DIODE HSM2693
D406	8-719-941-25	DIODE HSM2693
D501	8-719-123-85	DIODE 1SS304
D502	8-719-123-85	DIODE 1SS304
D503	8-713-300-00	DIODE 1T33
D601	8-719-123-85	DIODE 1SS304
D602	8-719-123-85	DIODE 1SS304
D603	8-719-123-85	DIODE 1SS304
D604	8-719-123-85	DIODE 1SS304
D605	8-719-123-85	DIODE 1SS304
D606	8-719-123-85	DIODE 1SS304
D607	8-719-903-27	(TYPE-1)...DIODE 1SS168
D607	8-719-123-85	(TYPE-2)...DIODE 1SS304
D608	8-719-123-85	DIODE 1SS304
D705	8-719-123-85	DIODE 1SS304
D706	8-719-123-85	DIODE 1SS304
D801	8-713-300-00	DIODE 1T33
D802	8-719-123-85	DIODE 1SS304
D821	8-713-300-00	DIODE 1T33
D822	8-713-300-00	DIODE 1T33
D823	8-719-123-85	DIODE 1SS304
D824	8-719-123-85	DIODE 1SS304
D825	8-713-300-00	DIODE 1T33
D851	8-713-300-00	DIODE 1T33
D852	8-719-123-85	DIODE 1SS304
D901	8-713-300-00	DIODE 1T33
D902	8-719-123-85	DIODE 1SS304
D951	8-719-123-85	DIODE 1SS304
D952	8-719-107-15	DIODE RD18M-82
D1001	8-719-123-85	DIODE 1SS304
D1002	8-719-123-85	DIODE 1SS304
D1003	8-719-938-72	DIODE SB01-05CP
D1004	8-719-938-72	DIODE SB01-05CP
D1005	8-719-938-72	DIODE SB01-05CP
D1006	8-719-938-72	DIODE SB01-05CP
D1007	8-719-938-72	DIODE SB01-05CP
D1008	8-719-938-72	DIODE SB01-05CP

Ref.No.	Part No.	Description
D1009	8-719-981-00	DIODE ERC81-004
D1201	8-719-123-85	DIODE 1SS304
D1202	8-719-123-85	DIODE 1SS304
D1203	8-719-123-85	DIODE 1SS304
D1204	8-719-123-85	DIODE 1SS304
D1205	8-719-908-06	DIODE ERA81-005
D1206	8-719-981-00	DIODE ERC81-004
D1301	8-719-123-85	DIODE 1SS304
D1302	8-719-123-85	DIODE 1SS304
D1303	8-719-123-85	DIODE 1SS304
D1304	8-719-123-85	DIODE 1SS304
D1305	8-719-123-85	DIODE 1SS304
D1306	8-719-123-85	DIODE 1SS304
D1307	8-719-123-85	DIODE 1SS304
D1308	8-719-123-85	DIODE 1SS304
D1309	8-719-123-85	DIODE 1SS304
D1310	8-719-123-85	DIODE 1SS304
D1311	8-719-123-85	DIODE 1SS304
D1312	8-719-123-85	DIODE 1SS304
D1313	8-719-123-85	DIODE 1SS304
D1314	8-719-123-85	DIODE 1SS304
D1315	8-719-123-85	DIODE 1SS304
D1316	8-719-123-85	DIODE 1SS304
D1317	8-719-123-85	DIODE 1SS304
D1351	8-719-903-40	DIODE BG222S-B1
D1352	8-719-939-34	DIODE GL3PG8
D1501	8-719-800-54	DIODE TLUR122 (RS232C)
D1502	8-719-800-54	DIODE TLUR122 (LOCK)
D1601	8-719-812-41	DIODE GL3PR8 (PAPER EMPTY)
D2001	8-719-123-85	DIODE 1SS304
D2002	8-719-123-85	DIODE 1SS304
D2003	8-719-123-85	DIODE 1SS304
D2004	8-719-123-85	DIODE 1SS304
D2005	8-719-941-25	DIODE HSM2693
D2006	8-719-941-25	DIODE HSM2693
D2008	8-719-123-85	DIODE 1SS304
D2009	8-719-123-85	DIODE 1SS304
D2010	8-719-938-72	DIODE SB01-05CP
D2011	8-719-938-72	DIODE SB01-05CP
D2012	8-719-938-72	DIODE SB01-05CP
D2013	8-719-938-72	DIODE SB01-05CP
D2014	8-719-974-74	DIODE GL1EG51
D2015	8-719-123-85	DIODE 1SS304
D2016	8-719-123-85	DIODE 1SS304
F701	△.1-532-858-11	FUSE, GLASS TUBE, 2.5A 125V
FL2	1-424-153-11	FILTER, NOISE
FL3	1-424-153-11	FILTER, NOISE
FL4	1-421-773-11	FILTER, NOISE REMOVAL
FL5	1-424-153-11	FILTER, NOISE
FL701	1-421-773-11	FILTER, NOISE REMOVAL
FL1001	1-421-537-00	TRANSFORMER, LINE FILTER
FL1002	1-421-773-11	FILTER, NOISE REMOVAL
FL1201	1-421-537-00	TRANSFORMER, LINE FILTER
FL1202	1-421-773-11	FILTER, NOISE REMOVAL
FL2001	1-235-254-00	FILTER, BAND PASS

Note:

The components identified by mark Δ or dotted line with mark Δ are critical for safety. Replace only with part number specified.

Note:

Les composants identifiés par une marque Δ sont critiques pour la sécurité. Ne les remplacer que par une pièce portant le numéro spécifié.

Ref.No.	Part No.	Description	Ref.No.	Part No.	Description
IC51	8-759-013-22	IC LMB 58M	IC1014	X-3900-707-1	(EXCEPT US)...
IC52	8-759-013-22	IC LMB 58M		X-3900-712-1	(US)..... IC MBM27C512-25 (EP ROM)
IC53	8-759-111-69	IC UPC1037HA	IC1015	8-759-938-65	IC SC I766CCOA
IC54	8-759-013-22	IC LMB 58M	IC1016	8-759-013-13	IC MC145406F
IC81	8-759-209-15	IC TC4SU69F	IC1017	8-759-209-19	IC TC35094P
IC82	8-759-209-15	IC TC4SU69F	IC1018	8-759-009-02	IC MC14046BF
IC301	8-759-107-67	IC UPC1651G	IC1019	8-759-209-15	IC TC4SU69F
IC401	8-759-011-63	IC MC74HC4051F	IC1020	8-759-209-15	IC TC4SU69F
IC402	8-759-011-63	IC MC74HC4051F	IC1021	8-759-925-72	IC SN74HC02NS
IC403	8-759-801-14	IC LA1205	IC1022	8-759-605-08	IC M51955BFP
IC405	8-759-011-63	IC MC74HC4051F	IC1023	8-759-605-08	IC M51955BFP
IC406	8-752-030-96	IC CXA1003AM	IC1024	8-759-939-41	IC S-8123OAG-RB-S
IC501	8-759-204-94	IC TC74HC00F	IC1025	8-759-630-27	IC M5236ML
IC502	8-759-918-74	IC CX-857	IC1101	8-759-304-37	IC HD63B03XF
IC503	8-759-013-22	IC LMB 58M	IC1102	8-759-304-36	IC HG61H20B20F
IC504	8-759-111-69	IC UPC1037HA	IC1103	8-759-920-40	IC MSM6255GS-K
IC505	8-759-200-82	IC TC4069UBF	IC1104	8-759-304-37	IC HD63B03XF
IC506	8-759-200-82	IC TC4069UBF	IC1201	8-759-605-07	IC M54975P
IC507	8-759-100-93	IC UPC393G2	IC1202	8-759-605-07	IC M54975P
IC601	8-759-013-22	IC LMB 58M	IC1203	8-759-605-07	IC M54975P
IC602	8-759-013-22	IC LMB 58M	IC1204	8-759-209-15	IC TC4SU69F
IC603	8-759-011-65	IC MC74HC4053F	IC1205	8-759-630-27	IC M5236ML
IC604	8-759-011-65	IC MC74HC4053F	IC1301	8-759-926-42	IC SN74HC238NS
IC605	8-759-013-22	IC LMB 58M	IC1302	8-759-926-42	IC SN74HC238NS
IC606	8-759-802-46	IC LA4550	IC1303	8-759-925-72	IC SN74HC02NS
IC607	8-759-204-94	IC TC74HC00F	IC1304	8-759-209-15	IC TC4SU69F
IC608	8-759-011-65	IC MC74HC4053F	IC1305	8-759-926-14	IC SN74HC148NS
IC609	8-759-013-22	IC LMB 58M	IC1306	8-759-143-45	IC UPD7503G-A78-12
IC610	8-759-013-22	IC LMB 58M	IC1307	8-759-209-15	IC TC4SU69F
IC611	8-759-013-22	IC LMB 58M	IC2001	8-759-013-22	IC LMB 58M
IC702	8-759-630-27	IC M5236ML	IC2201	8-759-630-27	IC M5236ML
IC703	8-759-200-82	IC TC4069UBF	IFT51	1-404-127-00	IFT (SMALL TYPE)(455kHz)
IC704	8-759-304-35	IC HG61H04813F	IFT81	1-404-191-00	TRANSFORMER, IF
IC705	8-759-925-72	IC SN74HC02NS	IFT401	1-404-191-00	TRANSFORMER, IF
IC706	8-759-200-82	IC TC4069UBF	IFT402	1-404-131-00	TRANSFORMER, DISCRI (FM DET)
IC707	8-759-204-94	IC TC74HC00F	IFT403	1-404-130-00	TRANSFORMER, DISCRI (FM DET)
IC801	8-752-323-84	IC CXD1118M	IFT404	1-404-127-00	IFT (SMALL TYPE)(455kHz)
IC802	8-752-323-84	IC CXD1118M	IFT405	1-404-127-00	IFT (SMALL TYPE)(455kHz)
IC803	8-752-323-84	IC CXD1118M	IFT501	1-404-191-00	TRANSFORMER, IF
IC804	8-752-323-84	IC CXD1118M	J1	1-562-261-21	CONNECTOR, COAXIAL (BNC)(SATELLITE)
IC805	8-759-801-15	IC LA5003M	J101	1-562-261-21	CONNECTOR, COAXIAL (BNC) (ANTENNA FM/LW/MW/SW)
IC806	8-759-801-15	IC LA5003M	J102	1-507-921-00	JACK (POWER SUPPLY AN-P1200)
IC807	8-759-209-15	IC TC4SU69F	J103	1-507-921-00	JACK (POWER SUPPLY AN-V21)
IC808	8-759-209-15	IC TC4SU69F	J601	1-562-837-21	JACK (EARPHONE)
IC1001	8-752-331-00	IC CXK5864BM-12L	J602	1-562-981-21	JACK (EXT SP)
IC1002	8-759-926-49	IC SN74HC245NS	J603	1-507-967-31	JACK (REC OUT)
IC1003	X-3900-706-1	IC HN27C64G-20 (EP ROM)	J604	1-507-967-31	JACK (P.B.IN)
IC1004	8-759-205-09	IC TC74HC138F	J701	1-562-981-21	JACK (REMOTE)
IC1005	8-752-331-00	IC CXK5864BM-12L	J702	1-562-981-21	JACK (AM RF MUTE)
IC1006	8-752-331-00	IC CXK5864BM-12L	J2001	*1-563-956-21	SOCKET, CONNECTOR
IC1007	8-759-925-72	IC SN74HC02NS	J2201	1-507-933-11	JACK
IC1008	8-759-305-28	IC HD74HC4040FP	J2301	1-574-308-11	CABLE (WITH CONNECTOR)
IC1009	8-759-204-98	IC TC74HC08F	J2302	1-574-307-11	CORD (WITH PLUG)
IC1010	8-752-331-00	IC CXK5864BM-12L	J2303	1-574-306-11	CABLE (WITH CONNECTOR)
IC1011	8-752-331-00	IC CXK5864BM-12L	L1	1-410-196-11	INDUCTOR CHIP 2.2UH
IC1012	8-759-940-45	IC S-8054HN-CB-S	L2	1-407-856-00	COIL, CHOKER
IC1013	8-759-205-09	IC TC74HC138F	L3	1-459-571-11	COIL (WITH CORE)(SAT RF)

Ref.No.	Part No.	Description
L4	1-407-856-00	COIL ,CHOKE
L5	1-410-204-31	INDUCT OR CHIP 10UH
L6	1-410-191-51	INDUCT OR CHIP 0.82UH
L7	1-410-191-51	INDUCT OR CHIP 0.82UH
L8	1-410-196-11	INDUCT OR CHIP 2.2UH
L9	1-407-856-00	COIL,CHOKE
L10	1-407-856-00	COIL ,CHOKE
L11	1-410-186-51	INDUCT OR CHIP 0.33UH
L12	1-410-186-51	INDUCT OR CHIP 0.33UH
L13	1-410-186-51	INDUCT OR CHIP 0.33UH
L14	1-410-186-51	INDUCT OR CHIP 0.33UH
L15	1-410-186-51	INDUCT OR CHIP 0.33UH
L31	1-459-571-11	COIL (WITH CORE)(FM RF)
L32	1-410-192-51	INDUCT OR CHIP 1UH
L33	1-410-192-51	INDUCT OR CHIP 1UH
L51	1-410-216-31	INDUCT OR CHIP 100UH
L201	1-410-946-31	INDUCT OR CHIP 22UH
L202	1-410-945-41	INDUCT OR CHIP 18UH
L203	1-410-203-51	INDUCT OR CHIP 8.2UH
L204	1-410-203-51	INDUCT OR CHIP 8.2UH
L205	1-410-212-51	INDUCT OR CHIP 47UH
L206	1-410-203-51	INDUCT OR CHIP 8.2UH
L207	1-410-200-31	INDUCT OR CHIP 4.7UH
L208	1-410-944-31	INDUCT OR CHIP 15UH
L209	1-410-943-31	INDUCT OR CHIP 12UH
L210	1-410-199-51	INDUCT OR CHIP 3.9UH
L211	1-410-199-51	INDUCT OR CHIP 3.9UH
L212	1-410-947-31	INDUCT OR CHIP 33UH
L213	1-410-199-51	INDUCT OR CHIP 3.9UH
L214	1-410-196-11	INDUCT OR CHIP 2.2UH
L215	1-410-203-51	INDUCT OR CHIP 8.2UH
L216	1-410-201-51	INDUCT OR CHIP 5.6UH
L217	1-410-195-51	INDUCT OR CHIP 1.8UH
L218	1-410-196-11	INDUCT OR CHIP 2.2UH
L219	1-410-944-31	INDUCT OR CHIP 15UH
L220	1-410-196-11	INDUCT OR CHIP 2.2UH
L221	1-410-193-41	INDUCT OR CHIP 1.2UH
L222	1-410-200-31	INDUCT OR CHIP 4.7UH
L223	1-410-196-11	INDUCT OR CHIP 2.2UH
L224	1-410-192-51	INDUCT OR CHIP 1UH
L225	1-410-192-51	INDUCT OR CHIP 1UH
L226	1-410-203-51	INDUCT OR CHIP 8.2UH
L227	1-410-191-51	INDUCT OR CHIP 0.82UH
L228	1-410-189-41	INDUCT OR CHIP 0.56UH
L229	1-410-197-11	INDUCT OR CHIP 2.7UH
L230	1-410-193-41	INDUCT OR CHIP 1.2UH
L231	1-410-189-41	INDUCT OR CHIP 0.56UH
L232	1-410-188-51	INDUCT OR CHIP 0.47UH
L233	1-410-199-51	INDUCT OR CHIP 3.9UH
L234	1-410-187-41	INDUCT OR CHIP 0.39UH
L235	1-410-186-51	INDUCT OR CHIP 0.33UH
L236	1-410-192-51	INDUCT OR CHIP 1UH
L237	1-410-190-51	INDUCT OR CHIP 0.68UH
L238	1-410-184-51	INDUCT OR CHIP 0.22UH
L239	1-410-184-51	INDUCT OR CHIP 0.22UH
L240	1-410-195-51	INDUCT OR CHIP 1.8UH
L241	1-410-184-51	INDUCT OR CHIP 0.22UH

Ref.No.	Part No.	Description
L242	1-410-182-51	INDUCT OR CHIP 0.15UH
L243	1-410-189-41	INDUCT OR CHIP 0.56UH
L244	1-410-185-51	INDUCT OR CHIP 0.27UH
L245	1-410-186-51	INDUCT OR CHIP 0.33UH
L246	1-410-186-51	INDUCT OR CHIP 0.33UH
L247	1-410-186-51	INDUCT OR CHIP 0.33UH
L248	1-410-199-51	INDUCT OR CHIP 3.9UH
L249	1-410-945-41	INDUCT OR CHIP 18UH
L250	1-410-186-51	INDUCT OR CHIP 0.33UH
L301	1-410-946-31	INDUCT OR CHIP 22UH
L303	1-410-946-31	INDUCT OR CHIP 22UH
L304	1-426-158-00	COIL (RF)(1ST IF 55.845MHZ)
L305	1-426-158-00	COIL (RF)(1ST IF 55.845MHZ)
L306	1-410-185-51	INDUCT OR CHIP 0.27UH
L307	1-410-204-31	INDUCT OR CHIP 10UH
L308	1-410-204-31	INDUCT OR CHIP 10UH
L309	1-410-186-51	INDUCT OR CHIP 0.33UH
L310	1-410-186-51	INDUCT OR CHIP 0.33UH
L311	1-410-186-51	INDUCT OR CHIP 0.33UH
L312	1-410-186-51	INDUCT OR CHIP 0.33UH
L313	1-410-180-41	INDUCT OR CHIP 0.1UH
L314	1-410-180-41	INDUCT OR CHIP 0.1UH
L315	1-410-204-31	INDUCT OR CHIP 10UH
L316	1-410-204-31	INDUCT OR CHIP 10UH
L317	1-410-204-31	INDUCT OR CHIP 10UH
L401	1-410-216-31	INDUCT OR CHIP 100UH
L501	1-410-216-31	INDUCT OR CHIP 100UH
L502	1-410-216-31	INDUCT OR CHIP 100UH
L503	1-410-216-31	INDUCT OR CHIP 100UH
L504	1-410-216-31	INDUCT OR CHIP 100UH
L601	1-410-204-31	INDUCT OR CHIP 10UH
L602	1-410-204-31	INDUCT OR CHIP 10UH
L603	1-410-204-31	INDUCT OR CHIP 10UH
L604	1-410-204-31	INDUCT OR CHIP 10UH
L605	1-410-204-31	INDUCT OR CHIP 10UH
L606	1-410-204-31	INDUCT OR CHIP 10UH
L607	1-421-635-00	COIL , CHOKE
L608	1-421-635-00	COIL , CHOKE
L609	1-421-635-00	COIL , CHOKE
L610	1-421-635-00	COIL , CHOKE
L611	1-421-635-00	COIL , CHOKE
L612	1-410-204-31	INDUCT OR CHIP 10UH
L613	1-410-204-31	INDUCT OR CHIP 10UH
L701	1-410-216-31	INDUCT OR CHIP 100UH
L702	1-410-216-31	INDUCT OR CHIP 100UH
L703	1-407-856-00	COIL,CHOKE 2MMH
L704	1-410-204-31	INDUCT OR CHIP 10UH
L705	1-410-204-31	INDUCT OR CHIP 10UH
L801	1-459-791-11	COIL (WITH CORE)(2ND LOCAL OSC)
L802	1-410-204-31	INDUCT OR CHIP 10UH
L803	1-410-204-31	INDUCT OR CHIP 10UH
L804	1-410-204-31	INDUCT OR CHIP 10UH
L805	1-410-186-51	INDUCT OR CHIP 0.33UH
L806	1-410-186-51	INDUCT OR CHIP 0.33UH
L821	1-406-314-11	COIL (OSC)(1ST LOCAL OSC)
L822	1-459-791-11	COIL (WITH CORE)(FM LOCAL OSC)
L823	1-459-922-11	COIL (WITH CORE)(1ST LOCAL OSC)

Ref.No.	Part No.	Description
L824	1-410-204-31	INDUCTOR CHIP 10UH
L825	1-410-204-31	INDUCTOR CHIP 10UH
L826	1-410-204-31	INDUCTOR CHIP 10UH
L827	1-410-204-31	INDUCTOR CHIP 10UH
L828	1-410-204-31	INDUCTOR CHIP 10UH
L851	1-410-204-31	INDUCTOR CHIP 10UH
L852	1-410-216-31	INDUCTOR CHIP 100UH
L853	1-410-943-31	INDUCTOR CHIP 12UH
L901	1-406-320-11	COIL (OSC)(VCO 1 OSC)
L902	1-410-216-31	INDUCTOR CHIP 100UH
L903	1-410-943-31	INDUCTOR CHIP 12UH
L904	1-410-204-31	INDUCTOR CHIP 10UH
L905	1-410-216-31	INDUCTOR CHIP 100UH
L906	1-410-204-31	INDUCTOR CHIP 10UH
L951	1-410-220-31	INDUCTOR CHIP 220UH
L952	1-410-220-31	INDUCTOR CHIP 220UH
L953	1-407-856-00	COIL,CHOKE
L954	1-407-856-00	COIL,CHOKE
L1001	1-410-192-51	INDUCTOR CHIP 1UH
L1002	1-410-192-51	INDUCTOR CHIP 1UH
L1003	1-410-192-51	INDUCTOR CHIP 1UH
L1004	1-410-192-51	INDUCTOR CHIP 1UH
L1005	1-421-635-00	COIL, CHOKE 22UH
L1006	1-421-635-00	COIL, CHOKE 22UH
L1007	1-410-192-51	INDUCTOR CHIP 1UH
L1008	1-410-192-51	INDUCTOR CHIP 1UH
L1009	1-410-192-51	INDUCTOR CHIP 1UH
L1010	1-421-635-00	COIL, CHOKE 22UH
L1011	1-421-635-00	COIL, CHOKE 22UH
L1012	1-421-635-00	COIL, CHOKE 22UH
L1013	1-421-635-00	COIL, CHOKE 22UH
L1014	1-407-856-00	COIL, CHOKE 2MMH
L1015	1-410-192-51	INDUCTOR CHIP 1UH
L1016	1-410-192-51	INDUCTOR CHIP 1UH
L1101	1-410-192-51	INDUCTOR CHIP 1UH
L1102	1-410-192-51	INDUCTOR CHIP 1UH
L1103	1-410-192-51	INDUCTOR CHIP 1UH
L1104	1-410-192-51	INDUCTOR CHIP 1UH
L1105	1-410-192-51	INDUCTOR CHIP 1UH
L1106	1-410-192-51	INDUCTOR CHIP 1UH
L1107	1-410-192-51	INDUCTOR CHIP 1UH
L1108	1-410-192-51	INDUCTOR CHIP 1UH
L1109	1-410-192-51	INDUCTOR CHIP 1UH
L1110	1-410-192-51	INDUCTOR CHIP 1UH
L1111	1-410-192-51	INDUCTOR CHIP 1UH
L1112	1-410-192-51	INDUCTOR CHIP 1UH
L1113	1-410-192-51	INDUCTOR CHIP 1UH
L1114	1-410-192-51	INDUCTOR CHIP 1UH
L1115	1-410-192-51	INDUCTOR CHIP 1UH
L1116	1-410-192-51	INDUCTOR CHIP 1UH
L1117	1-410-192-51	INDUCTOR CHIP 1UH
L1118	1-410-192-51	INDUCTOR CHIP 1UH
L1119	1-410-192-51	INDUCTOR CHIP 1UH
L1120	1-410-192-51	INDUCTOR CHIP 1UH
L1121	1-410-192-51	INDUCTOR CHIP 1UH
L1122	1-410-192-51	INDUCTOR CHIP 1UH
L1123	1-410-192-51	INDUCTOR CHIP 1UH

Ref.No.	Part No.	Description
L1124	1-410-192-51	INDUCTOR CHIP 1UH
L1125	1-410-192-51	INDUCTOR CHIP 1UH
L1126	1-410-192-51	INDUCTOR CHIP 1UH
L1201	1-410-192-51	INDUCTOR CHIP 1UH
L2001	1-410-214-31	INDUCTOR CHIP 68UH
L2002	1-410-188-51	INDUCTOR CHIP 0.47UH
L2003	1-410-199-51	INDUCTOR CHIP 3.9UH
L2004	1-410-946-31	INDUCTOR CHIP 22UH
L2006	1-410-216-31	INDUCTOR CHIP 100UH
L2008	1-410-196-11	INDUCTOR CHIP 2.2UH
L2009	1-407-856-00	COIL, CHOKE
L2010	1-410-196-11	INDUCTOR CHIP 2.2UH
L2011	1-407-856-00	COIL, CHOKE
L2301	1-410-502-11	INDUCTOR 2.7UH
LU1001	1-808-096-11	DISPLAY PANEL, LIQUID CRYSTAL
LU1301	1-808-099-11	DISPLAY PANEL, LIQUID CRYSTAL
P2201	1-574-196-11	CORD (WITH PLUG)
PH1201	8-719-941-47	GP2S05
PL2201	1-518-640-21	LAMP, PILOT
PL2202	1-518-640-21	LAMP, PILOT
PSN501	1-464-407-11	CIRCUIT UNIT, 2CH AMPLIFIER
PUI001	1-550-344-11	PRINTER, THERMAL
Q3	8-729-304-13	TRANSISTOR 2SK360D
Q5	8-729-102-07	TRANSISTOR 2SC2223-F13
Q6	8-729-801-08	TRANSISTOR 2SC2813Q3
Q7	8-729-800-68	TRANSISTOR 2SB815
Q8	8-729-800-68	TRANSISTOR 2SB815
Q9	8-729-602-21	TRANSISTOR 2SC4154-F
Q11	8-729-800-68	TRANSISTOR 2SB815
Q12	8-729-602-21	TRANSISTOR 2SC4154-F
Q13	8-729-800-68	TRANSISTOR 2SB815
Q14	8-729-900-83	(TYPE-1)...TRANSISTOR DTC124XS
Q14	8-729-901-02	(TYPE-2)...TRANSISTOR DTC124XX
Q31	8-729-602-21	TRANSISTOR 2SC4154-F
Q32	8-729-123-86	TRANSISTOR 2SK238-K16
Q33	8-729-102-07	TRANSISTOR 2SC2223-F13
Q34	8-729-801-08	TRANSISTOR 2SC2813Q3
Q35	8-729-602-21	(TYPE-1)...TRANSISTOR 2SC4154-F
Q35	8-729-800-68	(TYPE-2)...TRANSISTOR 2SB815
Q36	8-729-900-36	(TYPE-1)...TRANSISTOR DTC124ES
Q36	8-729-901-02	(TYPE-2)...TRANSISTOR DTC124XX
Q51	8-729-801-08	TRANSISTOR 2SC2813Q3
Q201	8-729-602-21	TRANSISTOR 2SC4154-F
Q202	8-729-602-21	TRANSISTOR 2SC4154-F
Q203	8-729-602-21	TRANSISTOR 2SC4154-F
Q204	8-729-602-21	TRANSISTOR 2SC4154-F
Q205	8-729-602-21	TRANSISTOR 2SC4154-F
Q206	8-729-602-21	TRANSISTOR 2SC4154-F
Q207	8-729-602-21	TRANSISTOR 2SC4154-F
Q208	8-729-800-68	TRANSISTOR 2SB815
Q209	8-729-800-68	TRANSISTOR 2SB815
Q210	8-729-800-68	TRANSISTOR 2SB815
Q211	8-729-800-68	TRANSISTOR 2SB815

Ref.No.	Part No.	Description	Ref.No.	Part No.	Description
Q212	8-729-800-68	TRANSISTOR 2SB815	Q827	8-729-109-42	TRANSISTOR 2SK94-X2
Q213	8-729-800-68	TRANSISTOR 2SB815	Q828	8-729-602-21	TRANSISTOR 2SC4154-F
Q214	8-729-800-68	TRANSISTOR 2SB815	Q829	8-729-109-42	TRANSISTOR 2SK94-X2
Q215	8-729-602-21	TRANSISTOR 2SC4154-F	Q830	8-729-602-21	TRANSISTOR 2SC4154-F
Q216	8-729-602-21	TRANSISTOR 2SC4154-F	Q831	8-729-208-47	TRANSISTOR 2SK210GR
Q217	8-729-602-21	TRANSISTOR 2SC4154-F	Q832	8-729-800-68	TRANSISTOR 2SB815
Q301	8-729-602-80	TRANSISTOR 2SK613-4-1	Q833	8-729-800-68	TRANSISTOR 2SB815
Q302	8-729-602-80	TRANSISTOR 2SK613-4-1	Q851	8-729-801-08	TRANSISTOR 2SC2813Q3
Q303	8-729-602-80	TRANSISTOR 2SK613-4-1	Q852	8-729-109-42	TRANSISTOR 2SK94-X2
Q304	8-729-602-80	TRANSISTOR 2SK613-4-1	Q853	8-729-602-21	TRANSISTOR 2SC4154-F
Q305	8-729-602-80	TRANSISTOR 2SK613-4-1	Q854	8-729-109-42	TRANSISTOR 2SK94-X2
Q306	8-729-602-80	TRANSISTOR 2SK613-4-1	Q855	8-729-801-08	TRANSISTOR 2SC2813Q3
Q307	8-729-123-86	TRANSISTOR 2SK238-K16	Q856	8-729-801-08	TRANSISTOR 2SC2813Q3
Q308	8-769-401-59	TRANSISTOR 2SK613-3	Q857	8-729-801-08	TRANSISTOR 2SC2813Q3
Q309	8-729-602-21	TRANSISTOR 2SC4154-F	Q858	8-729-801-08	TRANSISTOR 2SC2813Q3
Q310	8-729-602-21	TRANSISTOR 2SC4154-F	Q901	8-729-102-07	TRANSISTOR 2SC2223-F13
Q401	8-729-801-08	TRANSISTOR 2SC2813Q3	Q902	8-729-109-42	TRANSISTOR 2SK94-X2
Q402	8-729-800-68	TRANSISTOR 2SB815	Q903	8-729-109-42	TRANSISTOR 2SK94-X2
Q403	8-729-800-68	TRANSISTOR 2SB815	Q904	8-729-602-21	TRANSISTOR 2SC4154-F
Q404	8-729-800-68	TRANSISTOR 2SB815	Q905	8-729-801-08	TRANSISTOR 2SC2813Q3
Q405	8-729-800-68	TRANSISTOR 2SB815	Q951	8-729-602-21	TRANSISTOR 2SC4154-F
Q407	8-729-801-08	TRANSISTOR 2SC2813Q3	Q952	8-729-800-36	TRANSISTOR 2SD1048
Q408	8-729-800-68	TRANSISTOR 2SB815	Q1001	8-729-801-08	TRANSISTOR 2SC2813Q3
Q409	8-729-801-08	TRANSISTOR 2SC2813Q3	Q1002	8-729-602-21	TRANSISTOR 2SC4154-F
Q410	8-729-801-08	TRANSISTOR 2SC2813Q3	Q1003	8-729-801-08	TRANSISTOR 2SC2813Q3
Q411	8-729-800-68	TRANSISTOR 2SB815	Q1004	8-729-602-21	TRANSISTOR 2SC4154-F
Q412	8-729-800-68	TRANSISTOR 2SB815	Q1005	8-729-602-21	TRANSISTOR 2SC4154-F
Q413	8-729-901-02	TRANSISTOR DTC124XK	Q1006	8-729-602-21	TRANSISTOR 2SC4154-F
Q414	8-729-602-21	TRANSISTOR 2SC4154-F	Q1007	8-729-106-68	TRANSISTOR 2SD1615A-GP
Q415	8-729-901-02	TRANSISTOR DTC124XK	Q1008	8-729-602-36	TRANSISTOR 2SA1602-F
Q416	8-729-901-02	TRANSISTOR DTC124XK	Q1009	8-729-602-36	TRANSISTOR 2SA1602-F
Q501	8-729-800-68	TRANSISTOR 2SB815	Q1010	8-729-106-68	TRANSISTOR 2SD1615A-GP
Q502	8-729-800-68	TRANSISTOR 2SB815	Q1011	8-729-602-21	TRANSISTOR 2SC4154-F
Q503	8-729-602-21	TRANSISTOR 2SC4154-F	Q1012	8-729-602-21	TRANSISTOR 2SC4154-F
Q504	8-729-602-21	TRANSISTOR 2SC4154-F	Q1013	8-729-602-21	TRANSISTOR 2SC4154-F
Q505	8-729-800-68	TRANSISTOR 2SB815	Q1014	8-729-602-21	TRANSISTOR 2SC4154-F
Q506	8-729-801-08	TRANSISTOR 2SC2813Q3	Q1015	8-729-112-61	TRANSISTOR 2SA1441
Q507	8-729-602-21	TRANSISTOR 2SC4154-F	Q1016	8-729-101-07	TRANSISTOR 2SB798
Q601	8-729-800-36	TRANSISTOR 2SD1048	Q1017	8-729-901-07	TRANSISTOR DT A124XK
Q602	8-729-800-36	TRANSISTOR 2SD1048	Q1018	8-729-901-02	TRANSISTOR DTC124XK
Q701	8-729-112-61	TRANSISTOR 2SA1441	Q1019	8-729-602-21	TRANSISTOR 2SC4154-F
Q702	8-729-901-02	TRANSISTOR DTC124XK	Q1020	8-729-602-36	TRANSISTOR 2SA1602-F
Q703	8-729-112-61	TRANSISTOR 2SA1441	Q1101	8-729-602-21	TRANSISTOR 2SC4154-F
Q704	8-729-800-68	TRANSISTOR 2SB815	Q1102	8-729-801-08	TRANSISTOR 2SC2813Q3
Q705	8-729-800-36	TRANSISTOR 2SD1048	Q1201	8-729-602-36	TRANSISTOR 2SA1602-F
Q706	8-729-800-68	TRANSISTOR 2SB815	Q1202	8-729-901-02	TRANSISTOR DTC124XK
Q801	8-729-102-07	TRANSISTOR 2SC2223-F13	Q1203	8-729-901-07	TRANSISTOR DT A124XK
Q802	8-729-208-47	TRANSISTOR 2SK210GR	Q1204	8-729-112-61	TRANSISTOR 2SA1441
Q803	8-729-109-42	TRANSISTOR 2SK94-X2	Q1205	8-729-901-02	TRANSISTOR DTC124XK
Q804	8-729-602-21	TRANSISTOR 2SC4154-F	Q1206	8-729-901-07	TRANSISTOR DT A124XK
Q805	8-729-109-42	TRANSISTOR 2SK94-X2	Q1301	8-729-901-01	TRANSISTOR DTC144EK
Q821	8-729-102-07	TRANSISTOR 2SC2223-F13	Q1302	8-729-901-01	TRANSISTOR DTC144EK
Q822	8-729-208-47	TRANSISTOR 2SK210GR	Q1303	8-729-901-01	TRANSISTOR DTC144EK
Q823	8-729-102-07	TRANSISTOR 2SC2223-F13	Q1304	8-729-901-01	TRANSISTOR DTC144EK
Q824	8-729-208-47	TRANSISTOR 2SK210GR	Q1305	8-729-901-07	TRANSISTOR DT A124XK
Q825	8-729-800-68	TRANSISTOR 2SB815	Q1306	8-729-901-01	TRANSISTOR DTC144EK
Q826	8-729-800-68	TRANSISTOR 2SB815	Q1307	8-729-602-36	TRANSISTOR 2SA1602-F

Ref.No.	Part No.	Description
Q2001	8-769-401-59	TRANSISTOR 2SK613-3
Q2002	8-729-304-13	TRANSISTOR 2SK60D
Q2003	8-769-401-59	TRANSISTOR 2SK613-3
Q2004	8-729-602-21	TRANSISTOR 2SC4154-F
Q2005	8-769-401-59	TRANSISTOR 2SK613-3
Q2006	8-729-801-08	TRANSISTOR 2SC2813Q3
Q2007	8-729-800-68	TRANSISTOR 2SB815
Q2008	8-729-800-68	TRANSISTOR 2SB815
Q2201	8-729-102-78	TRANSISTOR 2SB962
Q2202	8-729-901-07	TRANSISTOR DTA124XK
Q2203	8-729-901-02	TRANSISTOR DT124XK
Q2204	8-729-602-21	TRANSISTOR 2SC4154-F
R1	1-216-105-00	METAL GLAZE 220K 5% 1/10W
R2	1-216-298-00	METAL GLAZE 2.2 5% 1/10W
R3	1-249-425-11	(TYPE-1)...CARBON 4.7K 5% 1/4W
R3	1-216-065-00	(TYPE-2)...METAL GLAZE 4.7K 5% 1/10W
R5	1-216-049-00	METAL GLAZE 1K 5% 1/10W
R6	1-216-061-00	METAL GLAZE 3.3K 5% 1/10W
R7	1-216-073-00	(TYPE-2)...METAL GLAZE 10K 5% 1/10W
R8	1-216-009-00	METAL GLAZE 22 5% 1/10W
R9	1-216-021-00	METAL GLAZE 68 5% 1/10W
R10	1-249-441-11	(TYPE-1)...CARBON 100K 5% 1/4W
R10	1-216-097-00	(TYPE-2)...METAL GLAZE 100K 5% 1/10W
R11	1-249-425-11	(TYPE-1)...CARBON 4.7K 5% 1/4W
R11	1-216-065-00	(TYPE-2)...METAL GLAZE 4.7K 5% 1/10W
R12	1-216-033-00	METAL GLAZE 220 5% 1/10W
R13	1-216-111-00	METAL GLAZE 390K 5% 1/10W
R14	1-216-037-00	METAL GLAZE 330 5% 1/10W
R15	1-216-025-00	METAL GLAZE 100 5% 1/10W
R16	1-216-101-00	METAL GLAZE 150K 5% 1/10W
R17	1-216-037-00	METAL GLAZE 330 5% 1/10W
R18	1-216-061-00	METAL GLAZE 3.3K 5% 1/10W
R19	1-216-037-00	METAL GLAZE 330 5% 1/10W
R20	1-249-441-11	(TYPE-1)...CARBON 100K 5% 1/4W
R20	1-216-097-00	(TYPE-2)...METAL GLAZE 100K 5% 1/10W
R21	1-216-111-00	METAL GLAZE 390K 5% 1/10W
R22	1-216-298-00	METAL GLAZE 2.2 5% 1/10W
R23	1-216-057-00	METAL GLAZE 2.2K 5% 1/10W
R24	1-216-073-00	METAL GLAZE 10K 5% 1/10W
R25	1-216-009-00	METAL GLAZE 22 5% 1/10W
R26	1-216-097-00	METAL GLAZE 100K 5% 1/10W
R27	1-216-298-00	METAL GLAZE 2.2 5% 1/10W
R28	1-216-111-00	METAL GLAZE 390K 5% 1/10W
R29	1-216-065-00	METAL GLAZE 4.7K 5% 1/10W
R30	1-216-073-00	METAL GLAZE 10K 5% 1/10W
R31	1-216-049-00	METAL GLAZE 1K 5% 1/10W
R32	1-216-049-00	METAL GLAZE 1K 5% 1/10W
R33	1-216-097-00	METAL GLAZE 100K 5% 1/10W
R34	1-216-073-00	METAL GLAZE 10K 5% 1/10W
R35	1-216-097-00	METAL GLAZE 100K 5% 1/10W
R36	1-216-097-00	METAL GLAZE 100K 5% 1/10W
R37	1-216-025-00	METAL GLAZE 100 5% 1/10W
R38	1-216-049-00	METAL GLAZE 1K 5% 1/10W
R39	1-216-057-00	METAL GLAZE 2.2K 5% 1/10W
R40	1-216-111-00	METAL GLAZE 390K 5% 1/10W
R41	1-216-037-00	METAL GLAZE 330 5% 1/10W

Ref.No.	Part No.	Description
R42	1-216-037-00	METAL GLAZE 330 5% 1/10W
R43	1-216-025-00	METAL GLAZE 100 5% 1/10W
R44	1-216-101-00	METAL GLAZE 150K 5% 1/10W
R45	1-216-037-00	METAL GLAZE 330 5% 1/10W
R46	1-216-065-00	METAL GLAZE 4.7K 5% 1/10W
R47	1-247-847-00	(TYPE-1)...CARBON 4.7K 5% 1/4W
R47	1-216-057-00	(TYPE-2)...METAL GLAZE 2.2K 5% 1/10W
R48	1-216-033-00	METAL GLAZE 220 5% 1/10W
R49	1-216-021-00	METAL GLAZE 68 5% 1/10W
R51	1-216-079-00	METAL GLAZE 18K 5% 1/10W
R52	1-216-099-00	METAL GLAZE 120K 5% 1/10W
R53	1-216-099-00	METAL GLAZE 120K 5% 1/10W
R54	1-216-070-00	METAL GLAZE 7.5K 5% 1/10W
R55	1-216-025-00	METAL GLAZE 100 5% 1/10W
R56	1-216-073-00	METAL GLAZE 10K 5% 1/10W
R57	1-216-073-00	METAL GLAZE 10K 5% 1/10W
R58	1-216-073-00	METAL GLAZE 10K 5% 1/10W
R59	1-216-073-00	METAL GLAZE 10K 5% 1/10W
R60	1-216-073-00	METAL GLAZE 10K 5% 1/10W
R61	1-216-097-00	METAL GLAZE 100K 5% 1/10W
R62	1-216-097-00	METAL GLAZE 100K 5% 1/10W
R63	1-216-025-00	METAL GLAZE 100 5% 1/10W
R64	1-216-073-00	METAL GLAZE 10K 5% 1/10W
R65	1-216-077-00	METAL GLAZE 15K 5% 1/10W
R66	1-216-075-00	METAL GLAZE 12K 5% 1/10W
R67	1-216-057-00	METAL GLAZE 2.2K 5% 1/10W
R68	1-216-049-00	METAL GLAZE 1K 5% 1/10W
R69	1-216-057-00	METAL GLAZE 2.2K 5% 1/10W
R70	1-216-109-00	METAL GLAZE 330K 5% 1/10W
R71	1-216-049-00	METAL GLAZE 1K 5% 1/10W
R72	1-216-081-00	METAL GLAZE 22K 5% 1/10W
R73	1-216-049-00	METAL GLAZE 1K 5% 1/10W
R74	1-216-073-00	METAL GLAZE 10K 5% 1/10W
R75	1-216-081-00	METAL GLAZE 22K 5% 1/10W
R76	1-216-111-00	METAL GLAZE 390K 5% 1/10W
R77	1-216-081-00	METAL GLAZE 22K 5% 1/10W
R78	1-216-103-00	METAL GLAZE 180K 5% 1/10W
R80	1-216-065-00	METAL GLAZE 4.7K 5% 1/10W
R81	1-216-129-00	METAL GLAZE 2.2M 5% 1/10W
R82	1-216-037-00	METAL GLAZE 330 5% 1/10W
R83	1-216-093-00	METAL GLAZE 68K 5% 1/10W
R84	1-216-061-00	METAL GLAZE 3.3K 5% 1/10W
R85	1-216-025-00	METAL GLAZE 100 5% 1/10W
R86	1-216-073-00	METAL GLAZE 10K 5% 1/10W
R87	1-216-091-00	METAL GLAZE 56K 5% 1/10W
R88	1-216-089-00	METAL GLAZE 47K 5% 1/10W
R89	1-216-057-00	METAL GLAZE 2.2K 5% 1/10W
R108	1-216-017-00	METAL GLAZE 47 5% 1/10W
R109	1-216-017-00	METAL GLAZE 47 5% 1/10W
R110	1-216-304-11	METAL GLAZE 3.3 5% 1/10W
R111	1-216-016-11	METAL GLAZE 43 5% 1/10W
R201	1-216-049-00	METAL GLAZE 1K 5% 1/10W
R202	1-216-049-00	METAL GLAZE 1K 5% 1/10W
R203	1-216-097-00	METAL GLAZE 100K 5% 1/10W
R204	1-216-057-00	METAL GLAZE 2.2K 5% 1/10W
R205	1-216-049-00	METAL GLAZE 1K 5% 1/10W
R206	1-216-049-00	METAL GLAZE 1K 5% 1/10W
R207	1-216-049-00	METAL GLAZE 1K 5% 1/10W

Ref.No.	Part No.	Description				
R208	1-216-097-00	METAL GLAZE	100K	5%	1/10W	
R209	1-216-057-00	METAL GLAZE	2.2K	5%	1/10W	
R210	1-216-049-00	METAL GLAZE	1K	5%	1/10W	
R211	1-216-049-00	METAL GLAZE	1K	5%	1/10W	
R212	1-216-049-00	METAL GLAZE	1K	5%	1/10W	
R213	1-216-097-00	METAL GLAZE	100K	5%	1/10W	
R214	1-216-057-00	METAL GLAZE	2.2K	5%	1/10W	
R215	1-216-049-00	METAL GLAZE	1K	5%	1/10W	
R216	1-216-049-00	METAL GLAZE	1K	5%	1/10W	
R217	1-216-049-00	METAL GLAZE	1K	5%	1/10W	
R218	1-216-097-00	METAL GLAZE	100K	5%	1/10W	
R219	1-216-057-00	METAL GLAZE	2.2K	5%	1/10W	
R220	1-216-049-00	METAL GLAZE	1K	5%	1/10W	
R221	1-216-049-00	METAL GLAZE	1K	5%	1/10W	
R222	1-216-049-00	METAL GLAZE	1K	5%	1/10W	
R223	1-216-097-00	METAL GLAZE	100K	5%	1/10W	
R224	1-216-057-00	METAL GLAZE	2.2K	5%	1/10W	
R225	1-216-049-00	METAL GLAZE	1K	5%	1/10W	
R226	1-216-049-00	METAL GLAZE	1K	5%	1/10W	
R227	1-216-049-00	METAL GLAZE	1K	5%	1/10W	
R228	1-216-097-00	METAL GLAZE	100K	5%	1/10W	
R229	1-216-057-00	METAL GLAZE	2.2K	5%	1/10W	
R230	1-216-049-00	METAL GLAZE	1K	5%	1/10W	
R231	1-216-049-00	METAL GLAZE	1K	5%	1/10W	
R232	1-216-049-00	METAL GLAZE	1K	5%	1/10W	
R233	1-216-097-00	METAL GLAZE	100K	5%	1/10W	
R234	1-216-057-00	METAL GLAZE	2.2K	5%	1/10W	
R235	1-216-049-00	METAL GLAZE	1K	5%	1/10W	
R236	1-216-049-00	METAL GLAZE	1K	5%	1/10W	
R237	1-216-097-00	METAL GLAZE	100K	5%	1/10W	
R238	1-216-097-00	METAL GLAZE	100K	5%	1/10W	
R239	1-216-097-00	METAL GLAZE	100K	5%	1/10W	
R240	1-216-097-00	METAL GLAZE	100K	5%	1/10W	
R241	1-216-097-00	METAL GLAZE	100K	5%	1/10W	
R242	1-216-097-00	METAL GLAZE	100K	5%	1/10W	
R243	1-216-097-00	METAL GLAZE	100K	5%	1/10W	
R244	1-216-057-00	METAL GLAZE	2.2K	5%	1/10W	
R245	1-216-097-00	METAL GLAZE	100K	5%	1/10W	
R246	1-216-298-00	METAL GLAZE	2.2	5%	1/10W	
R247	1-216-016-11	METAL GLAZE	43	5%	1/10W	
R248	1-216-057-00	METAL GLAZE	2.2K	5%	1/10W	
R249	1-216-097-00	METAL GLAZE	100K	5%	1/10W	
R250	1-216-298-00	METAL GLAZE	2.2	5%	1/10W	
R251	1-216-016-11	METAL GLAZE	43	5%	1/10W	
R252	1-216-057-00	METAL GLAZE	2.2K	5%	1/10W	
R253	1-216-097-00	METAL GLAZE	100K	5%	1/10W	
R254	1-216-298-00	METAL GLAZE	2.2	5%	1/10W	
R255	1-216-016-11	METAL GLAZE	43	5%	1/10W	
R256	1-216-065-00	METAL GLAZE	4.7K	5%	1/10W	
R257	1-216-065-00	METAL GLAZE	4.7K	5%	1/10W	
R258	1-216-065-00	METAL GLAZE	4.7K	5%	1/10W	
R259	1-216-065-00	METAL GLAZE	4.7K	5%	1/10W	
R260	1-216-077-00	METAL GLAZE	15K	5%	1/10W	
R261	1-216-077-00	METAL GLAZE	15K	5%	1/10W	
R262	1-216-077-00	METAL GLAZE	15K	5%	1/10W	
R301	1-216-045-00	METAL GLAZE	680	5%	1/10W	
R302	1-216-017-00	METAL GLAZE	47	5%	1/10W	

Ref.No.	Part No.	Description			
R303	1-216-001-00	METAL GLAZE	10	5%	1/10W
R304	1-216-049-00	METAL GLAZE	1K	5%	1/10W
R305	1-216-049-00	METAL GLAZE	1K	5%	1/10W
R306	1-216-025-00	METAL GLAZE	100	5%	1/10W
R307	1-216-025-00	METAL GLAZE	100	5%	1/10W
R308	1-216-045-00	METAL GLAZE	680	5%	1/10W
R309	1-216-025-00	METAL GLAZE	100	5%	1/10W
R310	1-216-049-00	METAL GLAZE	1K	5%	1/10W
R311	1-216-063-00	METAL GLAZE	3.9K	5%	1/10W
R312	1-216-019-00	METAL GLAZE	56	5%	1/10W
R313	1-216-049-00	METAL GLAZE	1K	5%	1/10W
R314	1-216-081-00	METAL GLAZE	22K	5%	1/10W
R315	1-216-063-00	METAL GLAZE	3.9K	5%	1/10W
R318	1-216-075-00	METAL GLAZE	12K	5%	1/10W
R319	1-216-049-00	METAL GLAZE	1K	5%	1/10W
R320	1-216-009-00	METAL GLAZE	22	5%	1/10W
R321	1-216-081-00	METAL GLAZE	22K	5%	1/10W
R323	1-216-001-00	METAL GLAZE	10	5%	1/10W
R325	1-216-033-00	METAL GLAZE	220	5%	1/10W
R326	1-216-033-00	METAL GLAZE	220	5%	1/10W
R327	1-216-009-00	METAL GLAZE	22	5%	1/10W
R401	1-216-053-00	METAL GLAZE	1.5K	5%	1/10W
R402	1-216-049-00	METAL GLAZE	1K	5%	1/10W
R403	1-216-105-00	METAL GLAZE	220K	5%	1/10W
R404	1-216-033-00	METAL GLAZE	220	5%	1/10W
R405	1-216-053-00	METAL GLAZE	1.5K	5%	1/10W
R406	1-216-053-00	METAL GLAZE	1.5K	5%	1/10W
R407	1-216-045-00	METAL GLAZE	680	5%	1/10W
R408	1-216-049-00	METAL GLAZE	1K	5%	1/10W
R409	1-216-053-00	METAL GLAZE	1.5K	5%	1/10W
R410	1-216-053-00	METAL GLAZE	1.5K	5%	1/10W
R411	1-216-045-00	METAL GLAZE	680	5%	1/10W
R413	1-216-049-00	METAL GLAZE	1K	5%	1/10W
R414	1-216-049-00	METAL GLAZE	1K	5%	1/10W
R415	1-216-097-00	METAL GLAZE	100K	5%	1/10W
R416	1-216-097-00	METAL GLAZE	100K	5%	1/10W
R417	1-216-073-00	METAL GLAZE	10K	5%	1/10W
R418	1-216-037-00	METAL GLAZE	330	5%	1/10W
R419	1-216-025-00	METAL GLAZE	100	5%	1/10W
R420	1-216-049-00	METAL GLAZE	1K	5%	1/10W
R421	1-216-033-00	METAL GLAZE	220	5%	1/10W
R422	1-216-065-00	METAL GLAZE	4.7K	5%	1/10W
R423	1-216-063-00	METAL GLAZE	3.9K	5%	1/10W
R424	1-216-073-00	METAL GLAZE	10K	5%	1/10W
R425	1-216-073-00	METAL GLAZE	10K	5%	1/10W
R426	1-216-041-00	METAL GLAZE	470	5%	1/10W
R427	1-216-073-00	METAL GLAZE	10K	5%	1/10W
R431	1-216-049-00	METAL GLAZE	1K	5%	1/10W
R432	1-216-069-00	METAL GLAZE	6.8K	5%	1/10W
R433	1-216-049-00	METAL GLAZE	1K	5%	1/10W
R434	1-216-069-00	METAL GLAZE	6.8K	5%	1/10W
R435	1-216-041-00	METAL GLAZE	470	5%	1/10W
R436	1-216-065-00	METAL GLAZE	4.7K	5%	1/10W
R437	1-216-073-00	METAL GLAZE	10K	5%	1/10W
R438	1-216-089-00	METAL GLAZE	47K	5%	1/10W
R439	1-216-057-00	METAL GLAZE	2.2K	5%	1/10W
R441	1-216-097-00	METAL GLAZE	100K	5%	1/10W

Ref.No.	Part No.	Description				
R442	1-216-097-00	METAL GLAZE	100K	5%	1/10W	
R443	1-216-097-00	METAL GLAZE	100K	5%	1/10W	
R444	1-216-097-00	METAL GLAZE	100K	5%	1/10W	
R445	1-216-097-00	METAL GLAZE	100K	5%	1/10W	
R446	1-216-097-00	METAL GLAZE	100K	5%	1/10W	
R447	1-216-097-00	METAL GLAZE	100K	5%	1/10W	
R448	1-216-065-00	METAL GLAZE	4.7K	5%	1/10W	
R449	1-216-097-00	METAL GLAZE	100K	5%	1/10W	
R450	1-216-097-00	METAL GLAZE	100K	5%	1/10W	
R451	1-216-097-00	METAL GLAZE	100K	5%	1/10W	
R452	1-216-105-00	METAL GLAZE	220K	5%	1/10W	
R453	1-216-037-00	METAL GLAZE	330	5%	1/10W	
R454	1-216-033-00	METAL GLAZE	220	5%	1/10W	
R455	1-216-053-00	METAL GLAZE	1.5K	5%	1/10W	
R456	1-216-051-00	METAL GLAZE	1.2K	5%	1/10W	
R457	1-216-089-00	(TYPE-1)...METAL GLAZE	47K	5%	1/10W	
R457	1-216-090-00	(TYPE-2)...METAL GLAZE	51K	5%	1/10W	
R459	1-216-049-00	METAL GLAZE	1K	5%	1/10W	
R460	1-216-097-00	METAL GLAZE	100K	5%	1/10W	
R461	1-216-097-00	METAL GLAZE	100K	5%	1/10W	
R462	1-216-073-00	METAL GLAZE	10K	5%	1/10W	
R463	1-216-073-00	METAL GLAZE	10K	5%	1/10W	
R464	1-216-057-00	METAL GLAZE	2.2K	5%	1/10W	
R465	1-216-049-00	METAL GLAZE	1K	5%	1/10W	
R466	1-216-111-00	METAL GLAZE	390K	5%	1/10W	
R467	1-216-057-00	METAL GLAZE	2.2K	5%	1/10W	
R468	1-216-025-00	METAL GLAZE	100	5%	1/10W	
R469	1-216-748-11	METAL GLAZE	39K	5%	1/10W	
R470	1-216-099-00	METAL GLAZE	120K	5%	1/10W	
R471	1-216-059-00	METAL GLAZE	2.7K	5%	1/10W	
R472	1-216-049-00	METAL GLAZE	1K	5%	1/10W	
R473	1-216-061-00	METAL GLAZE	3.3K	5%	1/10W	
R474	1-216-061-00	METAL GLAZE	3.3K	5%	1/10W	
R475	1-216-049-00	METAL GLAZE	1K	5%	1/10W	
R476	1-216-081-00	METAL GLAZE	22K	5%	1/10W	
R477	1-216-085-00	METAL GLAZE	33K	5%	1/10W	
R478	1-216-065-00	METAL GLAZE	4.7K	5%	1/10W	
R479	1-216-061-00	METAL GLAZE	3.3K	5%	1/10W	
R480	1-216-061-00	METAL GLAZE	3.3K	5%	1/10W	
R481	1-216-049-00	METAL GLAZE	1K	5%	1/10W	
R482	1-216-069-00	METAL GLAZE	6.8K	5%	1/10W	
R483	1-216-065-00	METAL GLAZE	4.7K	5%	1/10W	
R484	1-216-081-00	METAL GLAZE	22K	5%	1/10W	
R485	1-216-113-00	METAL GLAZE	470K	5%	1/10W	
R486	1-216-057-00	METAL GLAZE	2.2K	5%	1/10W	
R487	1-216-057-00	METAL GLAZE	2.2K	5%	1/10W	
R488	1-216-025-00	METAL GLAZE	100	5%	1/10W	
R489	1-216-057-00	METAL GLAZE	2.2K	5%	1/10W	
R490	1-216-033-00	METAL GLAZE	220	5%	1/10W	
R491	1-216-071-00	METAL GLAZE	8.2K	5%	1/10W	
R492	1-216-057-00	METAL GLAZE	2.2K	5%	1/10W	
R493	1-216-105-00	METAL GLAZE	220K	5%	1/10W	
R494	1-216-031-00	METAL GLAZE	180	5%	1/10W	
R495	1-216-057-00	METAL GLAZE	2.2K	5%	1/10W	
R496	1-216-049-00	METAL GLAZE	1K	5%	1/10W	
R498	1-216-001-00	METAL GLAZE	10	5%	1/10W	
R501	1-216-073-00	METAL GLAZE	10K	5%	1/10W	
R502	1-216-073-00	METAL GLAZE	10K	5%	1/10W	

Ref.No.	Part No.	Description				
R503	1-216-073-00	METAL GLAZE	10K	5%	1/10W	
R504	1-216-073-00	METAL GLAZE	10K	5%	1/10W	
R506	1-216-121-00	METAL GLAZE	1M	5%	1/10W	
R507	1-216-059-00	METAL GLAZE	2.7K	5%	1/10W	
R508	1-216-059-00	METAL GLAZE	2.7K	5%	1/10W	
R509	1-216-073-00	METAL GLAZE	10K	5%	1/10W	
R510	1-216-049-00	METAL GLAZE	1K	5%	1/10W	
R511	1-216-049-00	METAL GLAZE	1K	5%	1/10W	
R512	1-216-057-00	METAL GLAZE	2.2K	5%	1/10W	
R513	1-216-073-00	METAL GLAZE	10K	5%	1/10W	
R514	1-216-083-00	METAL GLAZE	27K	5%	1/10W	
R515	1-216-065-00	METAL GLAZE	4.7K	5%	1/10W	
R516	1-216-063-00	METAL GLAZE	3.9K	5%	1/10W	
R518	1-216-097-00	METAL GLAZE	100K	5%	1/10W	
R519	1-216-099-00	METAL GLAZE	120K	5%	1/10W	
R520	1-216-057-00	METAL GLAZE	2.2K	5%	1/10W	
R521	1-216-049-00	METAL GLAZE	1K	5%	1/10W	
R524	1-216-085-00	METAL GLAZE	33K	5%	1/10W	
R525	1-216-085-00	METAL GLAZE	33K	5%	1/10W	
R526	1-216-127-11	METAL GLAZE	1.8M	5%	1/10W	
R527	1-216-121-00	METAL GLAZE	1M	5%	1/10W	
R528	1-216-097-00	METAL GLAZE	100K	5%	1/10W	
R530	1-216-097-00	METAL GLAZE	100K	5%	1/10W	
R533	1-216-025-00	METAL GLAZE	100	5%	1/10W	
R534	1-216-049-00	METAL GLAZE	1K	5%	1/10W	
R541	1-216-748-11	METAL GLAZE	39K	5%	1/10W	
R542	1-216-129-00	METAL GLAZE	2.2M	5%	1/10W	
R543	1-216-748-11	METAL GLAZE	39K	5%	1/10W	
R544	1-216-129-00	METAL GLAZE	2.2M	5%	1/10W	
R546	1-216-073-00	METAL GLAZE	10K	5%	1/10W	
R549	1-216-073-00	METAL GLAZE	10K	5%	1/10W	
R550	1-216-073-00	METAL GLAZE	10K	5%	1/10W	
R551	1-216-075-00	METAL GLAZE	12K	5%	1/10W	
R552	1-216-085-00	METAL GLAZE	33K	5%	1/10W	
R553	1-216-079-00	METAL GLAZE	18K	5%	1/10W	
R555	1-216-073-00	METAL GLAZE	10K	5%	1/10W	
R556	1-216-073-00	METAL GLAZE	10K	5%	1/10W	
R557	1-216-073-00	METAL GLAZE	10K	5%	1/10W	
R558	1-216-065-00	METAL GLAZE	4.7K	5%	1/10W	
R559	1-216-073-00	METAL GLAZE	10K	5%	1/10W	
R560	1-216-121-00	METAL GLAZE	1M	5%	1/10W	
R561	1-216-127-11	METAL GLAZE	1.8M	5%	1/10W	
R562	1-216-073-00	METAL GLAZE	10K	5%	1/10W	
R563	1-216-073-00	METAL GLAZE	10K	5%	1/10W	
R601	1-216-025-00	METAL GLAZE	100	5%	1/10W	
R602	1-216-101-00	METAL GLAZE	150K	5%	1/10W	
R603	1-216-129-00	METAL GLAZE	2.2M	5%	1/10W	
R604	1-216-129-00	METAL GLAZE	2.2M	5%	1/10W	
R605	1-216-091-00	METAL GLAZE	56K	5%	1/10W	
R606	1-216-025-00	METAL GLAZE	100	5%	1/10W	
R607	1-216-100-00	METAL GLAZE	130K	5%	1/10W	
R608	1-216-127-11	METAL GLAZE	1.8M	5%	1/10W	
R609	1-216-127-11	METAL GLAZE	1.8M	5%	1/10W	
R610	1-216-090-00	METAL GLAZE	51K	5%	1/10W	
R611	1-216-079-00	METAL GLAZE	18K	5%	1/10W	
R612	1-216-079-00	METAL GLAZE	18K	5%	1/10W	
R613	1-216-079-00	METAL GLAZE	18K	5%	1/10W	

Ref.No.	Part No.	Description						
R614	1-216-097-00	METAL GLAZE	100K	5%	1/10W			
R615	1-216-097-00	METAL GLAZE	100K	5%	1/10W			
R616	1-216-097-00	METAL GLAZE	100K	5%	1/10W			
R617	1-216-097-00	METAL GLAZE	100K	5%	1/10W			
R618	1-216-097-00	METAL GLAZE	100K	5%	1/10W			
R619	1-216-049-00	METAL GLAZE	1K	5%	1/10W			
R620	1-216-097-00	METAL GLAZE	100K	5%	1/10W			
R621	1-216-101-00	METAL GLAZE	150K	5%	1/10W			
R625	1-216-073-00	METAL GLAZE	10K	5%	1/10W			
R626	1-216-097-00	METAL GLAZE	100K	5%	1/10W			
R628	1-216-097-00	METAL GLAZE	100K	5%	1/10W			
R630	1-216-113-00	METAL GLAZE	470K	5%	1/10W			
R631	1-216-113-00	METAL GLAZE	470K	5%	1/10W			
R633	1-216-097-00	METAL GLAZE	100K	5%	1/10W			
R634	1-216-097-00	METAL GLAZE	100K	5%	1/10W			
R636	1-216-001-00	METAL GLAZE	10	5%	1/10W			
R637	1-216-049-00	METAL GLAZE	1K	5%	1/10W			
R638	1-216-001-00	METAL GLAZE	10	5%	1/10W			
R639	1-216-001-00	METAL GLAZE	10	5%	1/10W			
R640	1-216-001-00	METAL GLAZE	10	5%	1/10W			
R643	1-216-049-00	METAL GLAZE	1K	5%	1/10W			
R644	1-216-049-00	METAL GLAZE	1K	5%	1/10W			
R645	1-216-073-00	METAL GLAZE	10K	5%	1/10W			
R646	1-216-073-00	METAL GLAZE	10K	5%	1/10W			
R647	1-216-041-00	METAL GLAZE	470	5%	1/10W			
R648	1-216-073-00	METAL GLAZE	10K	5%	1/10W			
R649	1-216-041-00	METAL GLAZE	470	5%	1/10W			
R651	1-216-059-00	METAL GLAZE	2.7K	5%	1/10W			
R652	1-216-049-00	METAL GLAZE	1K	5%	1/10W			
R653	1-216-025-00	METAL GLAZE	100	5%	1/10W			
R654	1-216-127-11	METAL GLAZE	1.8M	5%	1/10W			
R655	1-216-121-00	METAL GLAZE	1M	5%	1/10W			
R656	1-216-049-00	METAL GLAZE	1K	5%	1/10W			
R657	1-216-113-00	METAL GLAZE	470K	5%	1/10W			
R658	1-216-049-00	METAL GLAZE	1K	5%	1/10W			
R660	1-216-127-11	METAL GLAZE	1.8M	5%	1/10W			
R661	1-216-121-00	METAL GLAZE	1M	5%	1/10W			
R662	1-216-049-00	METAL GLAZE	1K	5%	1/10W			
R663	1-216-113-00	METAL GLAZE	470K	5%	1/10W			
R664	1-216-049-00	METAL GLAZE	1K	5%	1/10W			
R665	1-216-127-11	METAL GLAZE	1.8M	5%	1/10W			
R666	1-216-121-00	METAL GLAZE	1M	5%	1/10W			
R667	1-216-097-00	METAL GLAZE	100K	5%	1/10W			
R668	1-216-111-00	METAL GLAZE	390K	5%	1/10W			
R669	1-216-049-00	METAL GLAZE	1K	5%	1/10W			
R670	1-216-127-11	METAL GLAZE	1.8M	5%	1/10W			
R671	1-216-121-00	METAL GLAZE	1M	5%	1/10W			
R672	1-216-097-00	METAL GLAZE	100K	5%	1/10W			
R673	1-216-111-00	METAL GLAZE	390K	5%	1/10W			
R674	1-216-049-00	METAL GLAZE	1K	5%	1/10W			
R675	1-216-025-00	METAL GLAZE	100	5%	1/10W			
R676	1-216-049-00	METAL GLAZE	1K	5%	1/10W			
R677	1-216-097-00	METAL GLAZE	100K	5%	1/10W			
R678	1-216-097-00	METAL GLAZE	100K	5%	1/10W			
R679	1-216-103-00	METAL GLAZE	180K	5%	1/10W			
R680	1-216-097-00	METAL GLAZE	100K	5%	1/10W			
R681	1-216-025-00	METAL GLAZE	100	5%	1/10W			
R682A	1-216-097-00	METAL GLAZE	100K	5%	1/10W			
R682B	1-216-049-00	METAL GLAZE	1K	5%	1/10W			
R683A	1-216-097-00	METAL GLAZE	100K	5%	1/10W			
R683B	1-216-025-00	METAL GLAZE	100	5%	1/10W			
R684	1-216-079-00	METAL GLAZE	18K	5%	1/10W			
R685	1-216-073-00	METAL GLAZE	10K	5%	1/10W			
R686	1-216-073-00	METAL GLAZE	10K	5%	1/10W			
R687	1-216-097-00	METAL GLAZE	100K	5%	1/10W			
R688	1-216-097-00	METAL GLAZE	100K	5%	1/10W			
R689	1-216-049-00	METAL GLAZE	1K	5%	1/10W			
R690A	1-249-441-11	(TYPE-1)...CARBON	100K	5%	1/4W			
R690A	1-216-097-00	(TYPE-2)...METAL GLAZE	100K	5%	1/10W			
R690B	1-216-065-00	METAL GLAZE	4.7K	5%	1/10W			
R691	1-216-073-00	METAL GLAZE	10K	5%	1/10W			
R692	1-216-073-00	METAL GLAZE	10K	5%	1/10W			
R693	1-216-049-00	METAL GLAZE	1K	5%	1/10W			
R694	1-216-063-00	METAL GLAZE	3.9K	5%	1/10W			
R695	1-216-103-00	METAL GLAZE	180K	5%	1/10W			
R696	1-216-097-00	METAL GLAZE	100K	5%	1/10W			
R697	1-216-049-00	METAL GLAZE	1K	5%	1/10W			
R698	1-216-097-00	METAL GLAZE	100K	5%	1/10W			
R699	1-216-097-00	METAL GLAZE	100K	5%	1/10W			
R700	1-216-049-00	METAL GLAZE	1K	5%	1/10W			
R701	1-216-089-00	METAL GLAZE	47K	5%	1/10W			
R702	1-216-017-00	METAL GLAZE	47	5%	1/10W			
R703	1-216-083-00	METAL GLAZE	27K	5%	1/10W			
R710	1-216-073-00	METAL GLAZE	10K	5%	1/10W			
R711	1-216-073-00	METAL GLAZE	10K	5%	1/10W			
R712	1-216-121-00	METAL GLAZE	1M	5%	1/10W			
R713	1-216-121-00	METAL GLAZE	1M	5%	1/10W			
R714	1-216-097-00	METAL GLAZE	100K	5%	1/10W			
R716	1-216-075-00	METAL GLAZE	12K	5%	1/10W			
R717	1-216-079-00	METAL GLAZE	18K	5%	1/10W			
R722	1-216-057-00	METAL GLAZE	2.2K	5%	1/10W			
R723	1-216-057-00	METAL GLAZE	2.2K	5%	1/10W			
R724	1-216-057-00	METAL GLAZE	2.2K	5%	1/10W			
R725	1-216-049-00	METAL GLAZE	1K	5%	1/10W			
R726	1-216-057-00	METAL GLAZE	2.2K	5%	1/10W			
R728	1-216-057-00	METAL GLAZE	2.2K	5%	1/10W			
R729	1-216-081-00	METAL GLAZE	22K	5%	1/10W			
R730	1-216-057-00	METAL GLAZE	2.2K	5%	1/10W			
R731	1-216-049-00	METAL GLAZE	1K	5%	1/10W			
R732	1-216-081-00	METAL GLAZE	22K	5%	1/10W			
R733	1-216-081-00	METAL GLAZE	22K	5%	1/10W			
R734	1-216-081-00	METAL GLAZE	22K	5%	1/10W			
R735	1-216-081-00	METAL GLAZE	22K	5%	1/10W			
R736	1-216-057-00	METAL GLAZE	2.2K	5%	1/10W			
R737	1-216-057-00	METAL GLAZE	2.2K	5%	1/10W			
R738	1-216-057-00	METAL GLAZE	2.2K	5%	1/10W			
R739	1-216-049-00	METAL GLAZE	1K	5%	1/10W			
R740	1-216-049-00	METAL GLAZE	1K	5%	1/10W			
R741	1-216-081-00	METAL GLAZE	22K	5%	1/10W			
R742	1-216-097-00	METAL GLAZE	100K	5%	1/10W			
R743	1-216-097-00	METAL GLAZE	100K	5%	1/10W			
R744	1-216-097-00	METAL GLAZE	100K	5%	1/10W			
R746	1-216-049-00	METAL GLAZE	1K	5%	1/10W			
R747	1-216-049-00	METAL GLAZE	1K	5%	1/10W			
R748	1-216-033-00	METAL GLAZE	220	5%	1/10W			

Ref.No.	Part No.	Description					
R749	1-249-431-11	(TYPE-1)...CARBON	15K	5%	1/4W		
R749	1-216-077-00	(TYPE-2)...METAL GLAZE	15K	5%	1/10W		
R750	1-216-675-11	METAL CHIP	10K	0.50%	1/10W		
R751	1-216-663-11	METAL CHIP	3.3K	0.50%	1/10W		
R753	1-216-057-00	METAL GLAZE	2.2K	5%	1/10W		
R754	1-216-057-00	METAL GLAZE	2.2K	5%	1/10W		
R755	1-216-057-00	METAL GLAZE	2.2K	5%	1/10W		
R756	1-216-057-00	METAL GLAZE	2.2K	5%	1/10W		
R757	1-216-065-00	METAL GLAZE	4.7K	5%	1/10W		
R758	1-216-065-00	METAL GLAZE	4.7K	5%	1/10W		
R759	1-216-065-00	METAL GLAZE	4.7K	5%	1/10W		
R760	1-216-065-00	METAL GLAZE	4.7K	5%	1/10W		
R761	1-216-065-00	METAL GLAZE	4.7K	5%	1/10W		
R762	1-216-065-00	METAL GLAZE	4.7K	5%	1/10W		
R763	1-216-065-00	METAL GLAZE	4.7K	5%	1/10W		
R765	1-216-057-00	METAL GLAZE	2.2K	5%	1/10W		
R766	1-216-049-00	METAL GLAZE	1K	5%	1/10W		
R767	1-216-049-00	METAL GLAZE	1K	5%	1/10W		
R768	1-216-049-00	METAL GLAZE	1K	5%	1/10W		
R769	1-216-049-00	METAL GLAZE	1K	5%	1/10W		
R770	1-216-049-00	METAL GLAZE	1K	5%	1/10W		
R771	1-216-049-00	METAL GLAZE	1K	5%	1/10W		
R772	1-216-073-00	METAL GLAZE	10K	5%	1/10W		
R773	1-216-097-00	METAL GLAZE	100K	5%	1/10W		
R774	1-216-748-11	METAL GLAZE	39K	5%	1/10W		
R775	1-216-041-00	METAL GLAZE	470	5%	1/10W		
R776	1-216-041-00	METAL GLAZE	470	5%	1/10W		
R777	1-216-041-00	METAL GLAZE	470	5%	1/10W		
R778	1-216-041-00	METAL GLAZE	470	5%	1/10W		
R779	1-216-041-00	METAL GLAZE	470	5%	1/10W		
R780A	1-249-433-11	(TYPE-2)...CARBON	22K	5%	1/4W		
R780B	1-216-041-00	METAL GLAZE	470	5%	1/10W		
R781	1-216-041-00	METAL GLAZE	470	5%	1/10W		
R782	1-216-041-00	METAL GLAZE	470	5%	1/10W		
R783	1-216-041-00	METAL GLAZE	470	5%	1/10W		
R784	1-216-041-00	METAL GLAZE	470	5%	1/10W		
R801	1-216-025-00	METAL GLAZE	100	5%	1/10W		
R802	1-216-091-00	METAL GLAZE	56K	5%	1/10W		
R803	1-216-019-00	METAL GLAZE	56	5%	1/10W		
R805	1-216-017-00	METAL GLAZE	47	5%	1/10W		
R806	1-216-017-00	METAL GLAZE	47	5%	1/10W		
R807	1-216-073-00	METAL GLAZE	10K	5%	1/10W		
R808	1-216-049-00	METAL GLAZE	1K	5%	1/10W		
R809	1-216-081-00	METAL GLAZE	22K	5%	1/10W		
R810	1-216-053-00	METAL GLAZE	1.5K	5%	1/10W		
R811	1-216-073-00	METAL GLAZE	10K	5%	1/10W		
R812	1-216-057-00	METAL GLAZE	2.2K	5%	1/10W		
R813	1-216-049-00	METAL GLAZE	1K	5%	1/10W		
R821	1-216-019-00	METAL GLAZE	56	5%	1/10W		
R822	1-216-025-00	METAL GLAZE	100	5%	1/10W		
R823	1-216-091-00	METAL GLAZE	56K	5%	1/10W		
R825	1-216-067-00	METAL GLAZE	5.6K	5%	1/10W		
R826	1-216-017-00	METAL GLAZE	47	5%	1/10W		
R827	1-216-017-00	METAL GLAZE	47	5%	1/10W		
R828	1-216-019-00	METAL GLAZE	56	5%	1/10W		
R829	1-216-025-00	METAL GLAZE	100	5%	1/10W		

Ref.No.	Part No.	Description					
R830	1-216-091-00	METAL GLAZE	56K	5%	1/10W		
R832	1-216-097-00	METAL GLAZE	100K	5%	1/10W		
R833	1-216-073-00	METAL GLAZE	10K	5%	1/10W		
R834	1-216-017-00	METAL GLAZE	47	5%	1/10W		
R835	1-216-017-00	METAL GLAZE	47	5%	1/10W		
R836	1-216-057-00	METAL GLAZE	2.2K	5%	1/10W		
R837	1-216-073-00	METAL GLAZE	10K	5%	1/10W		
R838	1-216-049-00	METAL GLAZE	1K	5%	1/10W		
R839	1-216-001-00	METAL GLAZE	10	5%	1/10W		
R840	1-216-053-00	METAL GLAZE	1.5K	5%	1/10W		
R841	1-216-073-00	METAL GLAZE	10K	5%	1/10W		
R842	1-216-067-00	METAL GLAZE	5.6K	5%	1/10W		
R843	1-216-057-00	METAL GLAZE	2.2K	5%	1/10W		
R844	1-216-049-00	METAL GLAZE	1K	5%	1/10W		
R845	1-216-113-00	METAL GLAZE	470K	5%	1/10W		
R848	1-216-097-00	METAL GLAZE	100K	5%	1/10W		
R849	1-216-097-00	METAL GLAZE	100K	5%	1/10W		
R851	1-216-041-00	METAL GLAZE	470	5%	1/10W		
R852	1-216-073-00	METAL GLAZE	10K	5%	1/10W		
R853	1-216-055-00	METAL GLAZE	1.8K	5%	1/10W		
R854	1-216-121-00	METAL GLAZE	1M	5%	1/10W		
R855	1-216-073-00	METAL GLAZE	10K	5%	1/10W		
R856	1-216-049-00	METAL GLAZE	1K	5%	1/10W		
R857	1-216-073-00	METAL GLAZE	10K	5%	1/10W		
R858	1-216-053-00	METAL GLAZE	1.5K	5%	1/10W		
R859	1-216-073-00	METAL GLAZE	10K	5%	1/10W		
R860	1-216-057-00	METAL GLAZE	2.2K	5%	1/10W		
R861	1-216-049-00	METAL GLAZE	1K	5%	1/10W		
R862	1-216-001-00	METAL GLAZE	10	5%	1/10W		
R865	1-216-089-00	METAL GLAZE	47K	5%	1/10W		
R866	1-216-097-00	METAL GLAZE	100K	5%	1/10W		
R867	1-216-041-00	METAL GLAZE	470	5%	1/10W		
R869	1-216-113-00	METAL GLAZE	470K	5%	1/10W		
R870	1-216-049-00	METAL GLAZE	1K	5%	1/10W		
R871	1-216-065-00	METAL GLAZE	4.7K	5%	1/10W		
R872	1-216-065-00	METAL GLAZE	4.7K	5%	1/10W		
R873	1-216-065-00	METAL GLAZE	4.7K	5%	1/10W		
R874	1-216-065-00	METAL GLAZE	4.7K	5%	1/10W		
R875	1-216-113-00	METAL GLAZE	470K	5%	1/10W		
R876	1-216-041-00	METAL GLAZE	470	5%	1/10W		
R877	1-216-065-00	METAL GLAZE	4.7K	5%	1/10W		
R878	1-216-105-00	METAL GLAZE	220K	5%	1/10W		
R879	1-216-049-00	METAL GLAZE	1K	5%	1/10W		
R880	1-216-057-00	METAL GLAZE	2.2K	5%	1/10W		
R881	1-216-049-00	METAL GLAZE	1K	5%	1/10W		
R882	1-216-049-00	METAL GLAZE	1K	5%	1/10W		
R901	1-216-057-00	METAL GLAZE	2.2K	5%	1/10W		
R902	1-216-017-00	METAL GLAZE	47	5%	1/10W		
R903	1-216-081-00	METAL GLAZE	22K	5%	1/10W		
R904	1-216-041-00	METAL GLAZE	470	5%	1/10W		
R905	1-216-081-00	METAL GLAZE	22K	5%	1/10W		
R906	1-216-053-00	METAL GLAZE	1.5K	5%	1/10W		
R907	1-216-073-00	METAL GLAZE	10K	5%	1/10W		
R908	1-216-049-00	METAL GLAZE	1K	5%	1/10W		
R909	1-216-049-00	METAL GLAZE	1K	5%	1/10W		
R910	1-216-073-00	METAL GLAZE	10K	5%	1/10W		
R911	1-216-121-00	METAL GLAZE	1M	5%	1/10W		

Ref.No.	Part No.	Description			
R912	1-216-073-00	METAL GLAZE	10K	5%	1/10W
R913	1-216-049-00	METAL GLAZE	1K	5%	1/10W
R914	1-216-105-00	METAL GLAZE	220K	5%	1/10W
R915	1-216-057-00	METAL GLAZE	2.2K	5%	1/10W
R928	1-216-069-00	METAL GLAZE	6.8K	5%	1/10W
R929	1-216-069-00	METAL GLAZE	6.8K	5%	1/10W
R930	1-216-069-00	METAL GLAZE	6.8K	5%	1/10W
R931	1-216-069-00	METAL GLAZE	6.8K	5%	1/10W
R932	1-216-069-00	METAL GLAZE	6.8K	5%	1/10W
R933	1-216-069-00	METAL GLAZE	6.8K	5%	1/10W
R934	1-216-069-00	METAL GLAZE	6.8K	5%	1/10W
R935	1-216-069-00	METAL GLAZE	6.8K	5%	1/10W
R936	1-216-061-00	METAL GLAZE	3.3K	5%	1/10W
R937	1-216-041-00	METAL GLAZE	470	5%	1/10W
R938	1-216-057-00	METAL GLAZE	2.2K	5%	1/10W
R939	1-216-041-00	METAL GLAZE	470	5%	1/10W
R940	1-216-057-00	METAL GLAZE	2.2K	5%	1/10W
R941	1-216-073-00	METAL GLAZE	10K	5%	1/10W
R942	1-216-017-00	METAL GLAZE	47	5%	1/10W
R943	1-216-017-00	METAL GLAZE	47	5%	1/10W
R944	1-216-067-00	METAL GLAZE	5.6K	5%	1/10W
R945	1-216-061-00	METAL GLAZE	3.3K	5%	1/10W
R946	1-216-041-00	METAL GLAZE	470	5%	1/10W
R947	1-216-057-00	METAL GLAZE	2.2K	5%	1/10W
R948	1-216-041-00	METAL GLAZE	470	5%	1/10W
R951	1-216-089-00	METAL GLAZE	47K	5%	1/10W
R952	1-216-089-00	METAL GLAZE	47K	5%	1/10W
R953	1-216-049-00	METAL GLAZE	1K	5%	1/10W
R954	1-216-095-00	METAL GLAZE	82K	5%	1/10W
R955	1-216-061-00	METAL GLAZE	3.3K	5%	1/10W
R956	1-216-041-00	METAL GLAZE	470	5%	1/10W
R957	1-216-057-00	METAL GLAZE	2.2K	5%	1/10W
R958	1-216-041-00	METAL GLAZE	470	5%	1/10W
R959	1-216-061-00	METAL GLAZE	3.3K	5%	1/10W
R960	1-216-041-00	METAL GLAZE	470	5%	1/10W
R961	1-216-057-00	METAL GLAZE	2.2K	5%	1/10W
R962	1-216-041-00	METAL GLAZE	470	5%	1/10W
R1001	1-216-049-00	METAL GLAZE	1K	5%	1/10W
R1002	1-216-049-00	METAL GLAZE	1K	5%	1/10W
R1003	1-216-049-00	METAL GLAZE	1K	5%	1/10W
R1004	1-216-049-00	METAL GLAZE	1K	5%	1/10W
R1005	1-216-049-00	METAL GLAZE	1K	5%	1/10W
R1006	1-216-049-00	METAL GLAZE	1K	5%	1/10W
R1008	1-216-097-00	METAL GLAZE	100K	5%	1/10W
R1009	1-216-097-00	METAL GLAZE	100K	5%	1/10W
R1011	1-216-097-00	METAL GLAZE	100K	5%	1/10W
R1012	1-216-057-00	METAL GLAZE	2.2K	5%	1/10W
R1013	1-216-113-00	METAL GLAZE	470K	5%	1/10W
R1014	1-216-121-00	METAL GLAZE	1M	5%	1/10W
R1015	1-216-049-00	METAL GLAZE	1K	5%	1/10W
R1016	1-216-041-00	METAL GLAZE	470	5%	1/10W
R1017	1-216-097-00	METAL GLAZE	100K	5%	1/10W
R1018	1-216-049-00	METAL GLAZE	1K	5%	1/10W
R1019	1-216-097-00	METAL GLAZE	100K	5%	1/10W
R1020	1-216-073-00	METAL GLAZE	10K	5%	1/10W
R1021	1-216-101-00	METAL GLAZE	150K	5%	1/10W
R1022	1-216-049-00	METAL GLAZE	1K	5%	1/10W

Ref.No.	Part No.	Description			
R1024	1-216-049-00	METAL GLAZE	1K	5%	1/10W
R1025	1-216-049-00	METAL GLAZE	1K	5%	1/10W
R1026	1-216-097-00	METAL GLAZE	100K	5%	1/10W
R1027	1-216-073-00	METAL GLAZE	10K	5%	1/10W
R1028	1-216-089-00	METAL GLAZE	47K	5%	1/10W
R1029	1-216-041-00	METAL GLAZE	470	5%	1/10W
R1031	1-216-049-00	METAL GLAZE	1K	5%	1/10W
R1032	1-216-113-00	METAL GLAZE	470K	5%	1/10W
R1033	1-216-075-00	METAL GLAZE	12K	5%	1/10W
R1034	1-216-053-00	METAL GLAZE	1.5K	5%	1/10W
R1035	1-216-041-00	METAL GLAZE	470	5%	1/10W
R1036	1-216-097-00	METAL GLAZE	100K	5%	1/10W
R1037	1-216-049-00	METAL GLAZE	1K	5%	1/10W
R1038	1-216-049-00	METAL GLAZE	1K	5%	1/10W
R1039	1-216-049-00	METAL GLAZE	1K	5%	1/10W
R1040	1-216-049-00	METAL GLAZE	1K	5%	1/10W
R1051	1-216-089-00	METAL GLAZE	47K	5%	1/10W
R1052	1-216-097-00	METAL GLAZE	100K	5%	1/10W
R1053	1-216-089-00	METAL GLAZE	47K	5%	1/10W
R1054	1-216-077-00	METAL GLAZE	15K	5%	1/10W
R1055	1-216-055-00	METAL GLAZE	1.8K	5%	1/10W
R1056	1-216-073-00	METAL GLAZE	10K	5%	1/10W
R1057	1-216-009-00	METAL GLAZE	22	5%	1/10W
R1058	1-216-063-00	METAL GLAZE	3.9K	5%	1/10W
R1059	1-216-073-00	METAL GLAZE	10K	5%	1/10W
R1060	1-216-037-00	METAL GLAZE	330	5%	1/10W
R1061	1-216-073-00	METAL GLAZE	10K	5%	1/10W
R1062	1-216-121-00	METAL GLAZE	1M	5%	1/10W
R1063	1-216-097-00	METAL GLAZE	100K	5%	1/10W
R1064	1-216-089-00	METAL GLAZE	47K	5%	1/10W
R1065	1-216-113-00	METAL GLAZE	470K	5%	1/10W
R1066	1-216-121-00	METAL GLAZE	1M	5%	1/10W
R1067	1-216-113-00	METAL GLAZE	470K	5%	1/10W
R1068	1-216-073-00	METAL GLAZE	10K	5%	1/10W
R1069	1-216-081-00	METAL GLAZE	22K	5%	1/10W
R1070	1-216-089-00	METAL GLAZE	47K	5%	1/10W
R1071	1-216-687-11	METAL CHIP	33K	0.50%	1/10W
R1072	1-216-675-11	METAL CHIP	10K	0.50%	1/10W
R1073	1-216-687-11	METAL CHIP	33K	0.50%	1/10W
R1074	1-216-675-11	METAL CHIP	10K	0.50%	1/10W
R1075	1-216-121-00	METAL GLAZE	1M	5%	1/10W
R1076	1-216-113-00	METAL GLAZE	470K	5%	1/10W
R1077	1-216-121-00	METAL GLAZE	1M	5%	1/10W
R1081	1-216-097-00	METAL GLAZE	100K	5%	1/10W
R1082	1-216-049-00	METAL GLAZE	1K	5%	1/10W
R1083	1-216-049-00	METAL GLAZE	1K	5%	1/10W
R1084	1-216-083-00	METAL GLAZE	27K	5%	1/10W
R1085	1-216-099-00	METAL GLAZE	120K	5%	1/10W
R1086	1-216-115-00	METAL GLAZE	560K	5%	1/10W
R1087	1-216-097-00	METAL GLAZE	100K	5%	1/10W
R1088	1-216-097-00	METAL GLAZE	100K	5%	1/10W
R1089	1-216-097-00	METAL GLAZE	100K	5%	1/10W
R1090	1-216-073-00	METAL GLAZE	10K	5%	1/10W
R1091	1-216-073-00	METAL GLAZE	10K	5%	1/10W
R1092	1-216-033-00	METAL GLAZE	220	5%	1/10W
R1093	1-216-077-00	METAL GLAZE	15K	5%	1/10W
R1094	1-216-675-11	METAL CHIP	10K	0.50%	1/10W

Ref.No.	Part No.	Description				
R1095	1-216-663-11	METAL CHIP	3.3K	0.50%	1/10W	
R1101	1-216-105-00	METAL GLAZE	220K	5%	1/10W	
R1102	1-216-001-00	METAL GLAZE	10	5%	1/10W	
R1103	1-216-089-00	METAL GLAZE	47K	5%	1/10W	
R1104	1-216-033-00	METAL GLAZE	220	5%	1/10W	
R1105	1-216-097-00	METAL GLAZE	100K	5%	1/10W	
R1106	1-216-001-00	METAL GLAZE	10	5%	1/10W	
R1107	1-216-001-00	METAL GLAZE	10	5%	1/10W	
R1108	1-216-001-00	METAL GLAZE	10	5%	1/10W	
R1109	1-216-001-00	METAL GLAZE	10	5%	1/10W	
R1110	1-216-001-00	METAL GLAZE	10	5%	1/10W	
R1111	1-216-001-00	METAL GLAZE	10	5%	1/10W	
R1112	1-216-001-00	METAL GLAZE	10	5%	1/10W	
R1113	1-216-001-00	METAL GLAZE	10	5%	1/10W	
R1114	1-216-001-00	METAL GLAZE	10	5%	1/10W	
R1115	1-216-001-00	METAL GLAZE	10	5%	1/10W	
R1116	1-216-049-00	METAL GLAZE	1K	5%	1/10W	
R1117	1-216-097-00	METAL GLAZE	100K	5%	1/10W	
R1118	1-216-057-00	METAL GLAZE	2.2K	5%	1/10W	
R1122	1-216-097-00	METAL GLAZE	100K	5%	1/10W	
R1123	1-216-097-00	METAL GLAZE	100K	5%	1/10W	
R1124	1-216-097-00	METAL GLAZE	100K	5%	1/10W	
R1125	1-216-049-00	METAL GLAZE	1K	5%	1/10W	
R1127	1-216-049-00	METAL GLAZE	1K	5%	1/10W	
R1128	1-216-049-00	METAL GLAZE	1K	5%	1/10W	
R1129	1-216-073-00	METAL GLAZE	10K	5%	1/10W	
R1130	1-249-441-11	(TYPE-1)...CARBON	100K	5%	1/4W	
R1130	1-216-097-00	(TYPE-2)...METAL GLAZE	100K	5%	1/10W	
R1131	1-216-025-00	METAL GLAZE	100	5%	1/10W	
R1132	1-216-025-00	METAL GLAZE	100	5%	1/10W	
R1133	1-216-025-00	METAL GLAZE	100	5%	1/10W	
R1134	1-216-025-00	METAL GLAZE	100	5%	1/10W	
R1135	1-216-025-00	METAL GLAZE	100	5%	1/10W	
R1136	1-216-025-00	METAL GLAZE	100	5%	1/10W	
R1137	1-216-041-00	METAL GLAZE	470	5%	1/10W	
R1141	1-216-049-00	METAL GLAZE	1K	5%	1/10W	
R1142	1-216-049-00	METAL GLAZE	1K	5%	1/10W	
R1143	1-216-049-00	METAL GLAZE	1K	5%	1/10W	
R1144	1-216-049-00	METAL GLAZE	1K	5%	1/10W	
R1145	1-216-049-00	METAL GLAZE	1K	5%	1/10W	
R1146	1-216-049-00	METAL GLAZE	1K	5%	1/10W	
R1147	1-216-049-00	METAL GLAZE	1K	5%	1/10W	
R1148	1-216-049-00	METAL GLAZE	1K	5%	1/10W	
R1149	1-216-049-00	METAL GLAZE	1K	5%	1/10W	
R1150	1-216-049-00	METAL GLAZE	1K	5%	1/10W	
R1151	1-216-049-00	METAL GLAZE	1K	5%	1/10W	
R1151	1-216-049-00	METAL GLAZE	1K	5%	1/10W	
R1152	1-216-049-00	METAL GLAZE	1K	5%	1/10W	
R1153	1-216-049-00	METAL GLAZE	1K	5%	1/10W	
R1154	1-216-049-00	METAL GLAZE	1K	5%	1/10W	
R1155	1-216-049-00	METAL GLAZE	1K	5%	1/10W	
R1156	1-216-049-00	METAL GLAZE	1K	5%	1/10W	
R1157	1-216-049-00	METAL GLAZE	1K	5%	1/10W	
R1158	1-216-049-00	METAL GLAZE	1K	5%	1/10W	
R1159	1-216-049-00	METAL GLAZE	1K	5%	1/10W	
R1160	1-216-049-00	METAL GLAZE	1K	5%	1/10W	
R1161	1-216-049-00	METAL GLAZE	1K	5%	1/10W	
R1162	1-216-049-00	METAL GLAZE	1K	5%	1/10W	

Ref.No.	Part No.	Description				
R1171	1-216-049-00	METAL GLAZE	1K	5%	1/10W	
R1172	1-216-049-00	METAL GLAZE	1K	5%	1/10W	
R1173	1-216-049-00	METAL GLAZE	1K	5%	1/10W	
R1174	1-216-049-00	METAL GLAZE	1K	5%	1/10W	
R1175	1-216-049-00	METAL GLAZE	1K	5%	1/10W	
R1176	1-216-049-00	METAL GLAZE	1K	5%	1/10W	
R1177	1-216-049-00	METAL GLAZE	1K	5%	1/10W	
R1178	1-216-073-00	METAL GLAZE	10K	5%	1/10W	
R1179	1-216-049-00	METAL GLAZE	1K	5%	1/10W	
R1180	1-216-073-00	METAL GLAZE	10K	5%	1/10W	
R1181	1-216-049-00	METAL GLAZE	1K	5%	1/10W	
R1182	1-216-049-00	METAL GLAZE	1K	5%	1/10W	
R1183	1-216-049-00	METAL GLAZE	1K	5%	1/10W	
R1184	1-216-043-00	METAL GLAZE	560	5%	1/10W	
R1191	1-216-049-00	METAL GLAZE	1K	5%	1/10W	
R1192	1-216-049-00	METAL GLAZE	1K	5%	1/10W	
R1193	1-216-049-00	METAL GLAZE	1K	5%	1/10W	
R1194	1-216-049-00	METAL GLAZE	1K	5%	1/10W	
R1195	1-216-073-00	METAL GLAZE	10K	5%	1/10W	
R1201	1-216-089-00	METAL GLAZE	47K	5%	1/10W	
R1202	1-216-049-00	METAL GLAZE	1K	5%	1/10W	
R1203	1-216-049-00	METAL GLAZE	1K	5%	1/10W	
R1204	1-216-097-00	METAL GLAZE	100K	5%	1/10W	
R1205	1-216-049-00	METAL GLAZE	1K	5%	1/10W	
R1206	1-216-049-00	METAL GLAZE	1K	5%	1/10W	
R1207	1-216-113-00	METAL GLAZE	470K	5%	1/10W	
R1208	1-216-049-00	METAL GLAZE	1K	5%	1/10W	
R1209	1-216-663-11	METAL CHIP	3.3K	0.50%	1/10W	
R1210	1-216-675-11	METAL CHIP	10K	0.50%	1/10W	
R1211	1-216-077-00	METAL GLAZE	15K	5%	1/10W	
R1212	1-216-033-00	METAL GLAZE	220	5%	1/10W	
R1251	1-216-019-00	METAL GLAZE	56	5%	1/10W	
R1252	1-216-019-00	METAL GLAZE	56	5%	1/10W	
R1253	1-216-019-00	METAL GLAZE	56	5%	1/10W	
R1254	1-216-019-00	METAL GLAZE	56	5%	1/10W	
R1255	1-216-019-00	METAL GLAZE	56	5%	1/10W	
R1256	1-216-019-00	METAL GLAZE	56	5%	1/10W	
R1257	1-216-019-00	METAL GLAZE	56	5%	1/10W	
R1258	1-216-019-00	METAL GLAZE	56	5%	1/10W	
R1259	1-216-019-00	METAL GLAZE	56	5%	1/10W	
R1260	1-216-019-00	METAL GLAZE	56	5%	1/10W	
R1261	1-216-049-00	METAL GLAZE	1K	5%	1/10W	
R1262	1-216-049-00	METAL GLAZE	1K	5%	1/10W	
R1263	1-216-049-00	METAL GLAZE	1K	5%	1/10W	
R1264	1-216-049-00	METAL GLAZE	1K	5%	1/10W	
R1265	1-216-049-00	METAL GLAZE	1K	5%	1/10W	
R1266	1-216-049-00	METAL GLAZE	1K	5%	1/10W	
R1267	1-216-049-00	METAL GLAZE	1K	5%	1/10W	
R1301	1-216-025-00	METAL GLAZE	100	5%	1/10W	
R1302	1-216-025-00	METAL GLAZE	100	5%	1/10W	
R1303	1-216-025-00	METAL GLAZE	100	5%	1/10W	
R1304	1-216-025-00	METAL GLAZE	100	5%	1/10W	
R1305	1-216-025-00	METAL GLAZE	100	5%	1/10W	
R1306	1-216-025-00	METAL GLAZE	100	5%	1/10W	
R1307	1-216-025-00	METAL GLAZE	100	5%	1/10W	
R1308	1-216-025-00	METAL GLAZE	100	5%	1/10W	
R1309	1-216-025-00	METAL GLAZE	100	5%	1/10W	

Ref.No.	Part No.	Description							
R1310	1-216-025-00	METAL GLAZE	100	5%	1/10W				
R1311	1-216-025-00	METAL GLAZE	100	5%	1/10W				
R1312	1-216-025-00	METAL GLAZE	100	5%	1/10W				
R1313	1-216-025-00	METAL GLAZE	100	5%	1/10W				
R1314	1-216-025-00	METAL GLAZE	100	5%	1/10W				
R1315	1-216-025-00	METAL GLAZE	100	5%	1/10W				
R1316	1-216-025-00	METAL GLAZE	100	5%	1/10W				
R1317	1-216-029-00	METAL GLAZE	150	5%	1/10W				
R1318	1-216-049-00	METAL GLAZE	1K	5%	1/10W				
R1319	1-216-121-00	METAL GLAZE	1M	5%	1/10W				
R1320	1-216-121-00	METAL GLAZE	1M	5%	1/10W				
R1321	1-216-049-00	METAL GLAZE	1K	5%	1/10W				
R1322	1-216-043-00	METAL GLAZE	560	5%	1/10W				
R1323	1-216-051-00	METAL GLAZE	1.2K	5%	1/10W				
R1324	1-216-077-00	METAL GLAZE	15K	5%	1/10W				
R1325	1-216-077-00	METAL GLAZE	15K	5%	1/10W				
R1326	1-216-049-00	METAL GLAZE	1K	5%	1/10W				
R1327	1-216-049-00	METAL GLAZE	1K	5%	1/10W				
R1328	1-216-097-00	METAL GLAZE	100K	5%	1/10W				
R1329	1-216-097-00	METAL GLAZE	100K	5%	1/10W				
R1330	1-216-097-00	METAL GLAZE	100K	5%	1/10W				
R1331	1-216-097-00	METAL GLAZE	100K	5%	1/10W				
R1332	1-216-097-00	METAL GLAZE	100K	5%	1/10W				
R1333	1-216-049-00	METAL GLAZE	1K	5%	1/10W				
R1334	1-216-049-00	METAL GLAZE	1K	5%	1/10W				
R1335	1-216-049-00	METAL GLAZE	1K	5%	1/10W				
R1336	1-216-049-00	METAL GLAZE	1K	5%	1/10W				
R1337	1-216-049-00	METAL GLAZE	1K	5%	1/10W				
R1338	1-216-049-00	METAL GLAZE	1K	5%	1/10W				
R1339	1-216-049-00	METAL GLAZE	1K	5%	1/10W				
R1340	1-216-049-00	METAL GLAZE	1K	5%	1/10W				
R1341	1-216-049-00	METAL GLAZE	1K	5%	1/10W				
R1342	1-216-049-00	METAL GLAZE	1K	5%	1/10W				
R1343	1-216-049-00	METAL GLAZE	1K	5%	1/10W				
R1344	1-216-049-00	METAL GLAZE	1K	5%	1/10W				
R1345	1-216-049-00	METAL GLAZE	1K	5%	1/10W				
R1346	1-216-041-00	METAL GLAZE	470	5%	1/10W				
R1347	1-216-041-00	METAL GLAZE	470	5%	1/10W				
R1348	1-216-041-00	METAL GLAZE	470	5%	1/10W				
R1349	1-216-041-00	METAL GLAZE	470	5%	1/10W				
R1350	1-216-041-00	METAL GLAZE	470	5%	1/10W				
R1351	1-216-041-00	METAL GLAZE	470	5%	1/10W				
R1352	1-216-097-00	METAL GLAZE	100K	5%	1/10W				
R1353	1-216-121-00	METAL GLAZE	1M	5%	1/10W				
R1354	1-216-121-00	METAL GLAZE	1M	5%	1/10W				
R1355	1-216-121-00	METAL GLAZE	1M	5%	1/10W				
R1356	1-216-073-00	METAL GLAZE	10K	5%	1/10W				
R1357	1-216-097-00	METAL GLAZE	100K	5%	1/10W				
R1358	1-216-025-00	METAL GLAZE	100	5%	1/10W				
R1359	1-216-097-00	METAL GLAZE	100K	5%	1/10W				
R1360	1-216-097-00	METAL GLAZE	100K	5%	1/10W				
R1361	1-216-102-00	METAL GLAZE	160K	5%	1/10W				
R1362	1-216-121-00	METAL GLAZE	1M	5%	1/10W				
R1363	1-216-029-00	METAL GLAZE	150	5%	1/10W				
R1364	1-216-029-00	METAL GLAZE	150	5%	1/10W				
R1365	1-216-121-00	METAL GLAZE	1M	5%	1/10W				
R1366	1-216-049-00	(TYPE-2)...METAL GLAZE	1K	5%	1/10W				
R2001	1-216-009-00	METAL GLAZE	22	5%	1/10W				
R2002	1-216-063-00	METAL GLAZE	3.9K	5%	1/10W				
R2003	1-216-057-00	METAL GLAZE	2.2K	5%	1/10W				
R2004	1-216-073-00	METAL GLAZE	10K	5%	1/10W				
R2005	1-216-009-00	METAL GLAZE	22	5%	1/10W				
R2006	1-216-009-00	METAL GLAZE	22	5%	1/10W				
R2007	1-216-009-00	METAL GLAZE	22	5%	1/10W				
R2009	1-216-057-00	METAL GLAZE	2.2K	5%	1/10W				
R2010	1-216-049-00	METAL GLAZE	1K	5%	1/10W				
R2011	1-216-009-00	METAL GLAZE	22	5%	1/10W				
R2012	1-216-025-00	METAL GLAZE	100	5%	1/10W				
R2013	1-216-009-00	METAL GLAZE	22	5%	1/10W				
R2014	1-216-049-00	METAL GLAZE	1K	5%	1/10W				
R2015	1-216-049-00	METAL GLAZE	1K	5%	1/10W				
R2017	1-216-017-00	METAL GLAZE	47	5%	1/10W				
R2018	1-216-009-00	METAL GLAZE	22	5%	1/10W				
R2019	1-216-009-00	METAL GLAZE	22	5%	1/10W				
R2020	1-216-057-00	METAL GLAZE	2.2K	5%	1/10W				
R2021	1-216-009-00	METAL GLAZE	22	5%	1/10W				
R2022	1-216-097-00	METAL GLAZE	100K	5%	1/10W				
R2023	1-216-091-00	METAL GLAZE	56K	5%	1/10W				
R2024	1-216-057-00	METAL GLAZE	2.2K	5%	1/10W				
R2025	1-216-017-00	METAL GLAZE	47	5%	1/10W				
R2026	1-216-009-00	METAL GLAZE	22	5%	1/10W				
R2027	1-216-009-00	METAL GLAZE	22	5%	1/10W				
R2028	1-216-101-00	METAL GLAZE	150K	5%	1/10W				
R2029	1-216-025-00	METAL GLAZE	100	5%	1/10W				
R2030	1-216-033-00	METAL GLAZE	220	5%	1/10W				
R2031	1-216-073-00	METAL GLAZE	10K	5%	1/10W				
R2032	1-216-097-00	METAL GLAZE	100K	5%	1/10W				
R2033	1-216-097-00	METAL GLAZE	100K	5%	1/10W				
R2034	1-216-097-00	METAL GLAZE	100K	5%	1/10W				
R2035	1-216-097-00	METAL GLAZE	100K	5%	1/10W				
R2036	1-216-049-00	METAL GLAZE	1K	5%	1/10W				
R2037	1-216-097-00	METAL GLAZE	100K	5%	1/10W				
R2038	1-216-063-00	METAL GLAZE	3.9K	5%	1/10W				
R2039	1-216-069-00	METAL GLAZE	6.8K	5%	1/10W				
R2040	1-216-067-00	METAL GLAZE	5.6K	5%	1/10W				
R2041	1-216-057-00	METAL GLAZE	2.2K	5%	1/10W				
R2042	1-216-057-00	METAL GLAZE	2.2K	5%	1/10W				
R2043	1-216-057-00	METAL GLAZE	2.2K	5%	1/10W				
R2045	1-216-025-00	METAL GLAZE	100	5%	1/10W				
R2046	1-216-182-00	METAL GLAZE	220	5%	1/8W				
R2101	1-216-049-00	METAL GLAZE	1K	5%	1/10W				
R2102	1-216-049-00	METAL GLAZE	1K	5%	1/10W				
R2103	1-216-073-00	METAL GLAZE	10K	5%	1/10W				
R2104	1-216-073-00	METAL GLAZE	10K	5%	1/10W				
R2105	1-216-073-00	METAL GLAZE	10K	5%	1/10W				
R2106	1-216-049-00	METAL GLAZE	1K	5%	1/10W				
R2107	1-216-073-00	METAL GLAZE	10K	5%	1/10W				
R2108	1-216-049-00	METAL GLAZE	1K	5%	1/10W				
R2109	1-216-049-00	METAL GLAZE	1K	5%	1/10W				
R2113	1-216-097-00	METAL GLAZE	100K	5%	1/10W				
R2114	1-216-097-00	METAL GLAZE	100K	5%	1/10W				
R2116	1-216-097-00	METAL GLAZE	100K	5%	1/10W				
R2201	1-216-073-00	METAL GLAZE	10K	5%	1/10W				
R2202	1-249-431-11	(TYPE-1)...CARBON	15K	5%	1/4W				
R2202	1-216-077-00	(TYPE-2)...METAL GLAZE	15K	5%	1/10W				

Ref.No.	Part No.	Description
R2203	1-216-061-00	METAL GLAZE 3.3K 5% 1/10W
R2204	1-216-075-00	METAL GLAZE 12K 5% 1/10W
R2205	1-216-061-00	METAL GLAZE 3.3K 5% 1/10W
R2206	1-216-073-00	METAL GLAZE 10K 5% 1/10W
R2207	1-216-001-00	METAL GLAZE 10 5% 1/10W
R2208	1-216-001-00	METAL GLAZE 10 5% 1/10W
R2209	1-216-001-00	METAL GLAZE 10 5% 1/10W
R2210	1-216-001-00	METAL GLAZE 10 5% 1/10W
R2211	1-216-001-00	METAL GLAZE 10 5% 1/10W
R2212	1-216-033-00	METAL GLAZE 220 5% 1/10W
R2213	1-216-089-00	METAL GLAZE 47K 5% 1/10W
R2301	1-216-037-00	METAL GLAZE 330 5% 1/10W
RV51	1-237-407-11	RES, ADJ, METAL GLAZE 47K
RV52	1-237-405-11	RES, ADJ, METAL GLAZE 10K
RV53	1-237-407-11	RES, ADJ, METAL GLAZE 47K
RV101	1-237-906-11	RES, VAR, CARBON 10K (AM RF GAIN)
RV401	1-237-140-11	RES, ADJ, METAL GLAZE 470
RV402	1-237-410-11	RES, ADJ, METAL GLAZE 470K
RV601	1-237-907-11	RES, VAR, CARBON 10K (AM FILTER)
RV602	1-237-907-11	RES, VAR, CARBON 10K (VOLUME)
RV603	1-237-906-11	RES, VAR, CARBON 10K (P.B.INPUT LEVEL)
RV1001	1-237-407-11	RES, ADJ, METAL GLAZE 47K
RV1002	1-237-140-11	(TYPE-2)...RES, ADJ, METAL GLAZE 470
RV1501	1-237-905-11	RES, VAR, CARBON 1K (LCD CONTRAST)
RY702	1-515-680-11	RELAY
S3	1-571-326-11	SWITCH, SLIDE (ATTENUATOR)
S1301	1-571-325-11	SWITCH, KEY BOARD (POWER ON)
S1302	1-571-325-11	SWITCH, KEY BOARD (POWER OFF)
S1303	1-571-325-11	SWITCH, KEY BOARD (SLEEP)
S1304	1-571-325-11	SWITCH, KEY BOARD (TIMER)
S1305	1-571-315-11	SWITCH, KEY BOARD (DATE)
S1306	1-571-315-11	SWITCH, KEY BOARD (LIGHT)
S1351	1-553-856-00	SWITCH, KEY BOARD (ALL RESET)
S1401	1-571-325-11	SWITCH, KEY BOARD (F1)
S1402	1-571-325-11	SWITCH, KEY BOARD (F2)
S1403	1-571-325-11	SWITCH, KEY BOARD (F3)
S1404	1-571-325-11	SWITCH, KEY BOARD (F4)
S1405	1-571-325-11	SWITCH, KEY BOARD (F5)
S1406	1-571-325-11	SWITCH, KEY BOARD (F6)
S1407	1-571-325-11	SWITCH, KEY BOARD (F7)
S1411	1-571-315-11	SWITCH, KEY BOARD (PAPER FEED)
S1412	1-571-315-11	SWITCH, KEY BOARD (HARD COPY)
S1413	1-571-315-11	SWITCH, KEY BOARD (TAPE)
S1414	1-571-315-11	SWITCH, KEY BOARD (SAT)
S1415	1-571-315-11	SWITCH, KEY BOARD (FAX)
S1416	1-571-315-11	SWITCH, KEY BOARD (RTTY)
S1501	1-571-325-11	SWITCH, KEY BOARD (DIAL STEP)
S1502	1-571-325-11	SWITCH, KEY BOARD (FUNCTION)
S1503	1-571-325-11	SWITCH, KEY BOARD (MEMORY PAGE)
S1504	1-571-325-11	SWITCH, KEY BOARD (PAGE MARK)
S1505	1-571-325-11	SWITCH, KEY BOARD (PAGE FEED)
S1506	1-571-325-11	SWITCH, KEY BOARD (SQUELCH)
S1507	1-571-315-11	SWITCH, KEY BOARD (MEMORY ENTER)
S1508	1-571-315-11	SWITCH, KEY BOARD (TITLE ENTER)
S1509	1-571-315-11	SWITCH, KEY BOARD (PAGE NAME)
S1510	1-571-315-11	SWITCH, KEY BOARD (QUICK SCAN START/PAGE MARK SET)
S1511	1-571-325-11	SWITCH, KEY BOARD (SCAN -)

Ref.No.	Part No.	Description
S1512	1-571-325-11	SWITCH, KEY BOARD (SCAN +)
S1513	1-571-325-11	SWITCH, KEY BOARD (KEY PROTECT)
S1514	1-571-325-11	SWITCH, KEY BOARD (N.B.FM)
S1515	1-571-325-11	SWITCH, KEY BOARD (AM NARR)
S1516	1-571-325-11	SWITCH, KEY BOARD (AM WIDE)
S1517	1-571-325-11	SWITCH, KEY BOARD (SYNC LSB)
S1518	1-571-325-11	SWITCH, KEY BOARD (SYNC USB)
S1519	1-571-325-11	SWITCH, KEY BOARD (SSB LSB/CN)
S1520	1-571-325-11	SWITCH, KEY BOARD (SSB USB)
S1521	1-571-325-11	SWITCH, KEY BOARD (TITLER →)
S1522	1-571-325-11	SWITCH, KEY BOARD (TITLER ←)
S1523	1-571-325-11	SWITCH, KEY BOARD (TITLER ON/OFF)
S1524	1-571-325-11	SWITCH, KEY BOARD (1)
S1525	1-571-325-11	SWITCH, KEY BOARD (2)
S1526	1-571-325-11	SWITCH, KEY BOARD (3)
S1527	1-571-325-11	SWITCH, KEY BOARD (4)
S1528	1-571-325-11	SWITCH, KEY BOARD (5)
S1529	1-571-325-11	SWITCH, KEY BOARD (6)
S1530	1-571-325-11	SWITCH, KEY BOARD (7)
S1531	1-571-325-11	SWITCH, KEY BOARD (8)
S1532	1-571-325-11	SWITCH, KEY BOARD (9)
S1533	1-571-325-11	SWITCH, KEY BOARD (C)
S1534	1-571-325-11	SWITCH, KEY BOARD (0)
S1535	1-571-325-11	SWITCH, KEY BOARD (PERIOD)
S1536	1-571-325-11	SWITCH, KEY BOARD (KHz)
S1537	1-571-325-11	SWITCH, KEY BOARD (MHz)
S1538	1-571-325-11	SWITCH, KEY BOARD (PRIORITY)
S1539	1-571-325-11	SWITCH, KEY BOARD (DELAY)
S1540	1-571-325-11	SWITCH, KEY BOARD (MEMORY SCAN)
S1551	1-464-406-11	ENCODER, ROTARY
S2201	1-571-727-11	SWITCH, MICRO
SP601	1-503-881-11	SPEAKER
T1	1-459-931-11	COIL (WITH CORE)(SAT ANT)
T3	1-404-126-00	IFT (SMALL TYPE)(10.7MHz)
T31	1-459-572-11	COIL (WITH CORE)(FM ANT)
T32	1-404-126-00	IFT (SMALL TYPE)(10.7MHz)
T301	1-426-338-11	TRANSFORMER, HIGH FREQUENCY (AM ANT)
T302	1-426-337-11	TRANSFORMER, HIGH FREQUENCY (AM RF)
T303	1-426-338-11	TRANSFORMER, HIGH FREQUENCY (AM 1ST LOCAL)
T304	1-404-774-11	TRANSFORMER, IF (55.845MHz)
T305	1-404-191-00	TRANSFORMER, IF (IFT 455kHz)
T951	1-406-112-11	COIL (OSC) (D/D OSC)
T1001	1-449-061-11	TRANSFORMER, DC-DC CONVERTER
T2001	1-426-338-11	TRANSFORMER, HIGH FREQUENCY
T2002	1-426-310-11	TRANSFORMER, HIGH FREQUENCY
T2003	1-426-400-11	TRANSFORMER, RF
T2004	1-426-338-11	TRANSFORMER, HIGH FREQUENCY
T2005	1-426-338-11	TRANSFORMER, HIGH FREQUENCY
T2006	1-426-400-11	TRANSFORMER, RF
TCX0	1-464-868-11	OSCILLATION UNIT, CRYSTAL (7.2MHz)
TH51	1-800-202-XX	THERMISTOR S-10K
TH1001	1-800-202-XX	THERMISTOR S-10K
X51	1-567-948-11	VIBRATOR, CRYSTAL (453.5kHz)
X501	1-567-387-11	VIBRATOR, CERAMIC (3.64MHz)(SYNC OSC)
X502	1-567-948-11	VIBRATOR, CRYSTAL (453.5kHz)

Ref.No.	Part No.	Description
X503	1-567-949-11	VIBRATOR, CRYSTAL (456.5kHz)
X851	1-567-951-11	VIBRATOR, LITHIUM TANTALATE (7.2MHz)
X1001	1-567-952-11	VIBRATOR, CRYSTAL (7.999488MHz)
X1301	1-567-098-00	VIBRATOR, CRYSTAL (32.768kHz)
XF301	1-527-372-00	FILTER, CRYSTAL (55.845MHz)
XF302	1-527-372-00	FILTER, CRYSTAL (55.845MHz)

ACCESSORY & PACKING MATERIAL

△.1-465-107-21	(US).....ADAPTOR, AC(ACP-88R)
△.1-465-107-31	(E,AEP,1-AEP,JE)...ADAPTOR, AC(ACP-88R)
△.1-465-107-41	(UK).....ADAPTOR, AC(ACP-88R)
1-506-401-31	(E,JE)...ADAPTOR, CONVERSION
1-559-476-11	(EXCEPT US)...RS-232C CONNECTING CABLE (WITH CONNECTOR)
3-786-497-11	(EXCEPT US)...MANUAL, INSTRUCTION (ENGLISH)
3-786-497-22	(US).....MANUAL, INSTRUCTION (ENGLISH)
3-786-497-31	(AEP,1-AEP)...MANUAL, INSTRUCTION (FRENCH)
3-786-497-41	(AEP,1-AEP)...MANUAL, INSTRUCTION (GERMAN)
3-786-497-51	(2-AEP).....MANUAL, INSTRUCTION (DUTCH)
3-786-498-11	MANUAL, GUIDE (ENGLISH)
3-786-498-21	(AEP,1-AEP)...MANUAL, GUIDE (FRENCH)
3-786-498-41	(AEP,1-AEP)...MANUAL, GUIDE (GERMAN)
3-786-498-51	(2-AEP).....MANUAL, GUIDE (DUTCH)
3-786-499-11	INSTRUCTION, QUICK REFERENCE (ENGLISH)
3-786-499-31	(AEP,1-AEP)...INSTRUCTION, QUICK REFERENCE (FRENCH)
3-786-499-41	(AEP,1-AEP)...INSTRUCTION, QUICK REFERENCE (GERMAN)
3-786-499-51	(2-AEP).....INSTRUCTION, QUICK REFERENCE (DUTCH)
3-893-802-05	BOOK, GUIDE, WAVE
3-900-741-01	SHAFT, PAPER
3-900-747-01	SCREW, PAPER SHAFT
*3-901-231-01	INDIVIDUAL CARTON
*3-901-232-01	CUSHION (UPPER) (2-PIECE SET)
*3-901-233-01	CASE, ACCESSORY
*3-901-235-01	CUSHION (LOWER)
*X-3900-709-1	EXTENSION KIT ASSY
X-3900-710-1	PAPER (3P) ASSY, PRINTING

Note:

The components identified by mark △ or dotted line with mark △ are critical for safety. Replace only with part number specified.

Note:

Les composants identifiés par une marque △ sont critiques pour la sécurité. Ne les remplacer que par une pièce portant le numéro spécifié.

AC ADAPTOR (ACP-88R)

Ref.No.	Part No.	Description
951	1-574-818-11	CORD, CONNECTION
952	△.1-551-478-00	(US).....CORD, POWER
	△.1-555-795-00	(E,AEP,1-AEP,JE)...CORD, POWER
	△.1-556-035-00	(UK).....CORD, POWER
953	1-533-183-11	HOLDER, FUSE
C1	△.1-161-740-00	CERAMIC 470PF 10% 400V
C2	△.1-161-740-00	CERAMIC 470PF 10% 400V
C3	△.1-136-297-11	FILM 0.033MF 20% 250V
C4	1-126-633-11	ELECT 10000MF 20% 25V
C5	1-161-063-00	CERAMIC 0.1MF 10% 50V
C6	1-161-051-00	CERAMIC 0.01MF 10% 50V
C7	1-126-103-11	ELECT 470MF 20% 16V
C8	1-161-051-00	CERAMIC 0.01MF 10% 50V
D1	8-719-500-16	DIODE D5SB60
D2	8-719-109-89	DIODE RDS.6ES-B2
D3	8-719-110-17	DIODE RD10ES-B2
D4	8-719-976-34	LED SEL351G
F1	△.1-532-286-00	(E,AEP,1-AEP,UK,JE) ...FUSE, TIME-LAG 2.5A 250V
	△.1-532-826-11	(US)...FUSE, GLASS TUBE 2.5A 250V
L1	△.1-412-239-11	MICRO INDUCTOR
L2	△.1-424-249-11	COIL, LINE FILTER
L3	1-421-537-00	TRANSFORMER, LINE FILTER
LC1	1-424-153-11	FILTER, NOISE
LC2	1-424-153-11	FILTER, NOISE
Q1	8-729-922-79	TRANSISTOR 2SD1487
Q2	8-729-281-53	TRANSISTOR 2SC1815Y
Q3	8-729-281-53	TRANSISTOR 2SC1815Y
Q4	8-729-281-53	TRANSISTOR 2SC1815Y
Q5	8-729-112-61	TRANSISTOR 2SA1441
Q6	8-729-281-53	TRANSISTOR 2SC1815Y
Q7	8-729-281-53	TRANSISTOR 2SC1815Y
R1	1-215-871-11	METEL OXIDE 2.2K 5% 1W
R2	1-205-953-11	WIREWOUND 0.43 3W
R3	1-205-952-11	WIREWOUND 0.15 3W
R4	1-247-709-11	CARBON 510 5% 1/4W
R5	1-247-725-11	CARBON 1.0K 5% 1/4W
R6	1-247-713-11	CARBON 1K 5% 1/4W
R7	1-246-476-11	CARBON 1.3K 1% 1/4W
R8	1-247-722-11	CARBON 5.6K 5% 1/4W
R9	1-249-469-11	CARBON 100K 5% 1/4W
R10	1-247-721-11	CARBON 4.7K 5% 1/4W
R11	1-247-745-11	CARBON 330 5% 1/2W
R12	△.1-202-723-00	(US)...SOL ID 2.2M 10% 1/2W
SW1	1-571-965-11	SWITCH, REED
SW2	△.1-553-691-11	(US,E,AEP,1-AEP,JE) ...SELECTOR, POWER VOLTAGE
SW3	△.1-570-743-21	(UK)....SWITCH, POWER
T1	△.1-449-708-11	(US).....TRANSFORMER, POWER
T1	△.1-449-709-11	(UK).....TRANSFORMER, POWER
T1	△.1-449-711-11	(E,AEP,1-AEP,JE)...TRANSFORMER, POWER
VR1	1-228-721-00	RES.ADJ.CARBON 2.2K
Z1	△.1-808-747-11	VARISTOR

SONY[®] SERVICE MANUAL

*US Model
AEP Model
UK Model
E Model*

SUPPLEMENT-1

SUBJECTS: 1. MICRO COMPUTER BOARD REMOVAL
2. ELECTRICAL ADJUSTMENTS

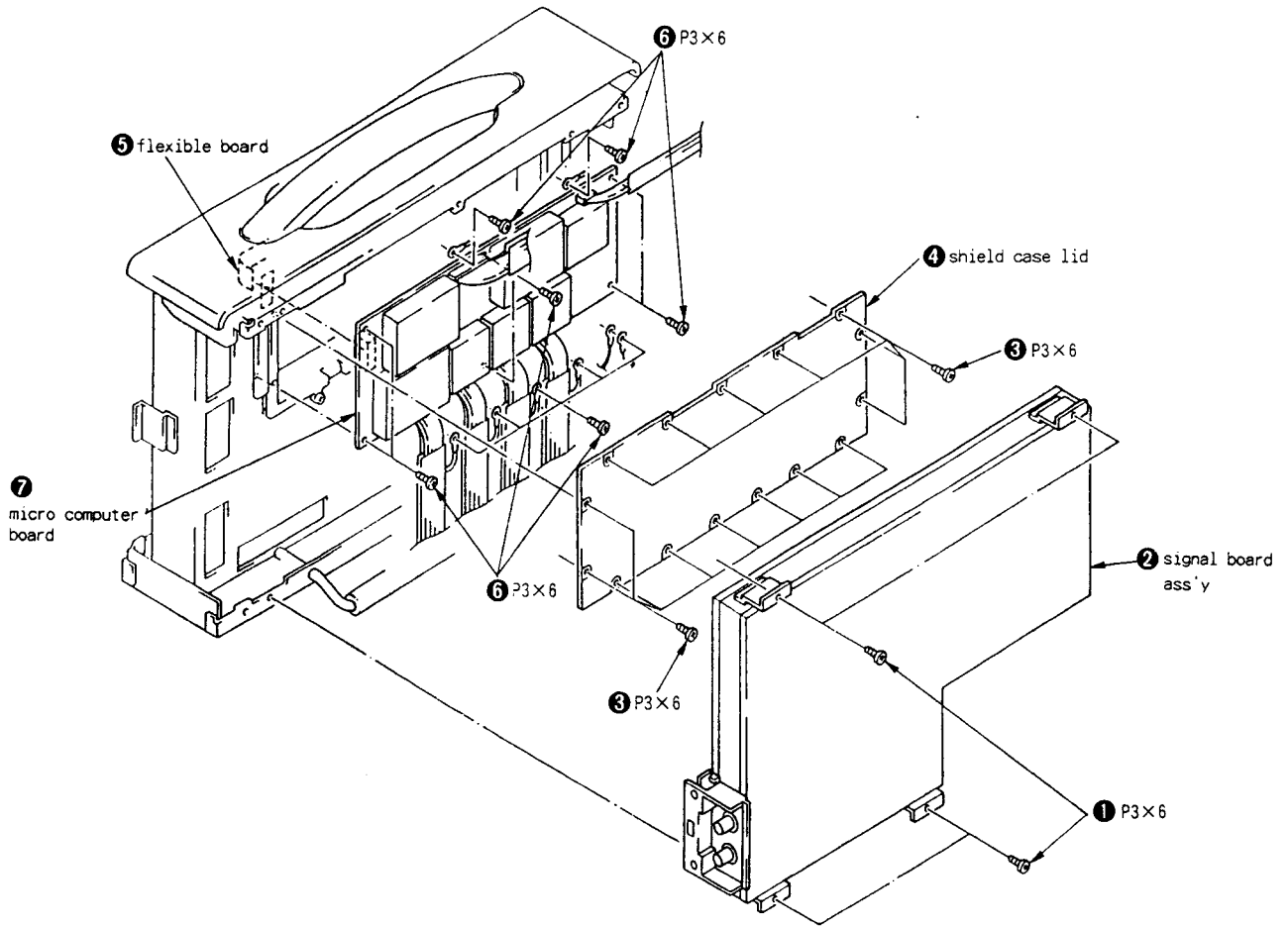
File this supplement with the Service Manual.

TABLE OF CONTENTS

<u>Section</u>	<u>Title</u>	<u>Page</u>
	MICRO COMPUTER BOARD REMOVAL	2
	SECTION 7. ELECTRICAL ADJUSTMENTS	
7-1.	PRECAUTIONS.....	2
7-2.	RECEIVER ADJUSTMENT	
7-2-1.	VC02 Varactor Voltage Adjustment.....	3
7-2-2.	AM 1st Local OSC Varactor Voltage Adjustment....	3
7-2-3.	AM 2nd Local OSC Varactor Voltage Adjustment....	4
7-2-4.	FM 1st Local OSC Varactor Voltage Adjustment....	4
7-2-5.	FM Local OSC Adjustment.....	5
7-2-6.	FM Tracking Adjustment (using spectrum analyzer with tracking generator).....	5
7-2-7.	FM Tracking Adjustment (using VTVM).....	6
7-2-8.	SAT RF Amplifier Adjustment.....	6
7-2-9.	AM 1st IF Adjustment (using spectrum analyzer with tracking generator).....	7
7-2-10.	AM 1st IF Adjustment (using VTVM).....	7
7-2-11.	AM 2nd IF Adjustment.....	7
7-2-12.	WIDE FM Detection Adjustment.....	8
7-2-13.	SYNC Adjustment.....	8
7-2-14.	SAT Decoder Adjustment.....	9
7-2-15.	Meter Adjustment.....	9
7-2-16.	X1001 Oscillation Adjustment.....	9
7-2-17.	Battery (2) Adjustment.....	11
7-2-18.	LCD Driving Voltage Adjustment (receiver type-2 only).....	11
7-2-19.	Clock Standard Clock Signal Adjustment.....	12
7-3.	AC ADAPTOR (ACP-88R) ADJUSTMENT	
7-3-1.	Output Voltage Adjustment.....	12
7-4.	ADJUSTMENT RELATED PARTS LOCATION DIAGRAM.....	13

MICRO COMPUTER BOARD REMOVAL

- Remove the cabinet (rear) and cabinet (front).



SECTION 7 ELECTRICAL ADJUSTMENTS

During the adjustment, see Adjustment Related Parts Location Diagram on Page 14.

7-1. PRECAUTION

Operate the number keys to set receiving frequencies.

7-2. RECEIVER ADJUSTMENT

7-2-1. VCO2 Varactor Voltage Adjustment Procedure

1. Set receiver frequency to 29.99499 MHz.
2. Set receiver detection mode to AM WIDE.
3. Adjust CT851 (VCO2) so that digital VOM reading becomes 17V DC.
4. Set receiver frequency to 9kHz and confirm that digital VOM reading is 10 to 12V DC.

Connection location

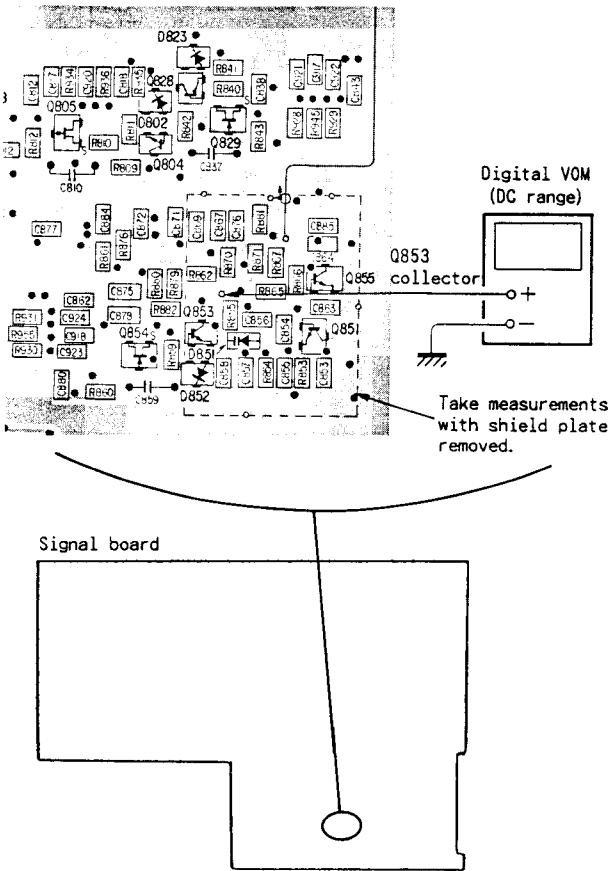


Fig. 4-1

7-2-2. AM 1st Local OSC Varactor Voltage Adjustment

- This adjustment should be made only when L823 is replaced. (After replacement of L823, perform adjustment and confirm with shield plate removed.)

Procedure

1. Set receiver frequency to 9 kHz.
2. Set receiver detection mode to AM WIDE.
3. Adjust L823 (1st local OSC) so that digital VOM reading becomes 9V DC.
4. Check digital VOM reading when receiver frequency is changed as follows:

Confirmation values

Receiver frequency	Digital VOM reading
29.99499 MHz	9.5 – 11.5VDC
4.0 MHz	2.5 – 3.5VDC
3.0 MHz	14.0 – 15.5VDC

Connection location

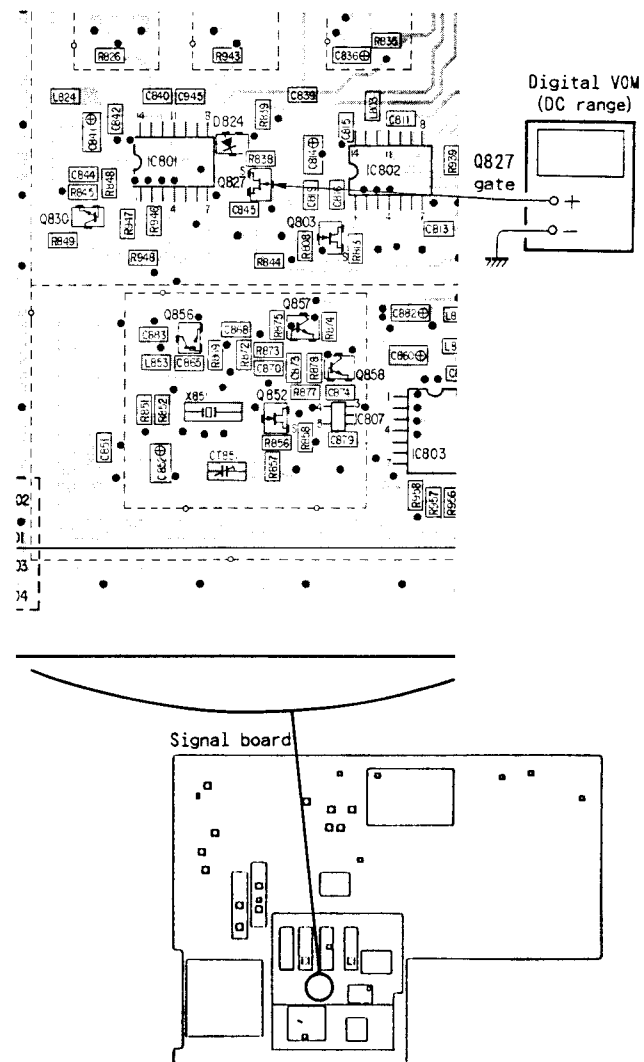


Fig. 4-2

7-2-3. AM 2nd Local OSC Varactor Voltage Adjustment

- This adjustment should be made only when L801 is replaced. (After replacement of L801, perform adjustment and confirm with shield plate removed.)

Procedure

1. Set receiver frequency to 3.99999 MHz by operating number keys.

Note: In the screen 3.9999 MHz is displayed, as the screen does not display digits of tens and less. The receiver frequency, however, can be changed by 10 Hz step.

2. Set receiver detection mode to AM WIDE.
3. Adjust L801 (2nd local OSC) so that digital VOM reading becomes 14V DC.

Connection location

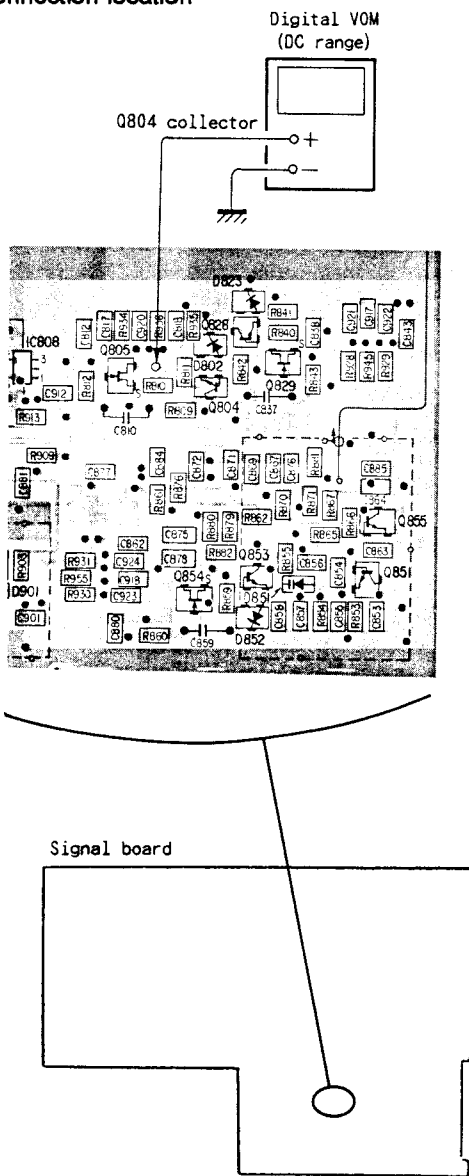


Fig. 4-3

7-2-4. FM 1st Local OSC Varactor Voltage Adjustment

Procedure

1. Set receiver frequency to 76 MHz.
2. Adjust CT821 (FM local) so that digital VOM reading becomes 2.9 to 3.1V DC.
3. Set receiver frequency to 108 MHz, and confirm that digital VOM reading is 10V DC or higher.

Connection location

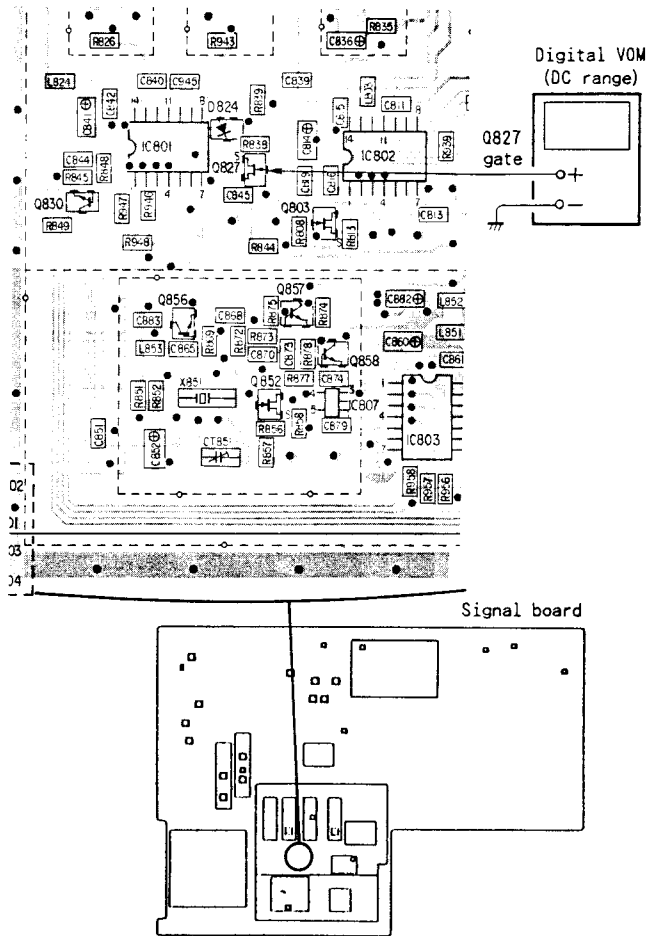


Fig. 4-4

7-2-5. FM Local OSC Adjustment

Procedure

1. Set receiver frequency to 108 MHz.
2. Adjust TCXO so that frequency counter reading becomes $118,700,000 \pm 60$ Hz.

Connection location

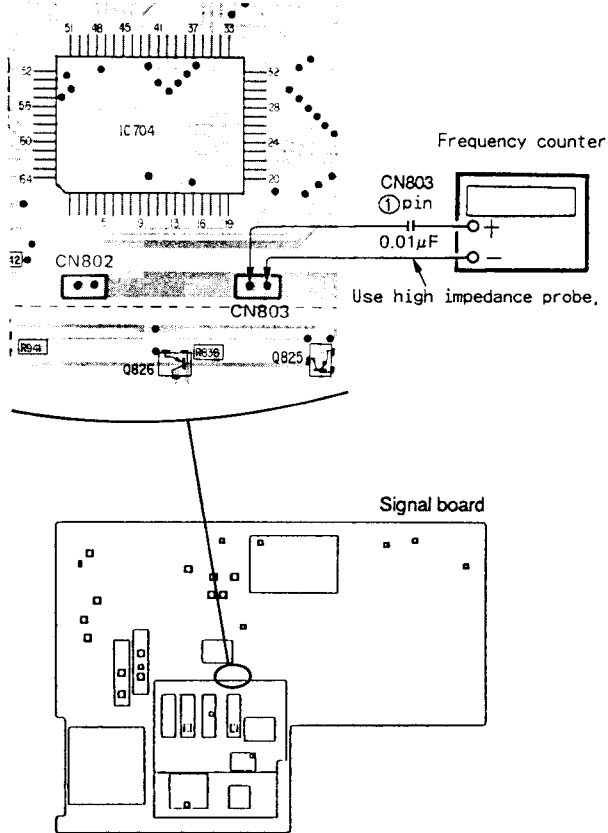
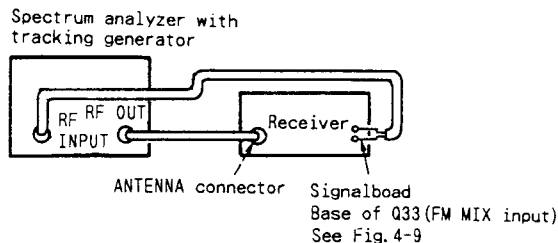


Fig. 4-5

7-2-6. FM Tracking Adjustment (using spectrum analyzer with tracking generator)

Connection



- | | |
|---------------------------|---------|
| Tracking generator | |
| Output level: | -50dB |
| Spectrum analyzer | |
| Center frequency: | 92MHz |
| Frequency span: | 30MHz |
| Standard level: | -30dBm |
| Vertical amplitude scale: | 2dB/DIV |
| RF attenuator: | 10dB |
| Marker frequency: | 104MHz |

Procedure

1. Set tracking generator output level to -50 dB.
2. Preset CT31 as shown in Fig. 4-6 (to make CT31 capacity minimum).

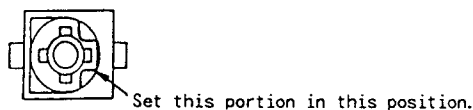


Fig. 4-6 Preset position of CT31

3. Set receiver frequency to 80MHz.
4. Adjust T31 (FM ANT) and L31 (FM IF) so that spectrum analyzer waveform peaks at 80MHz. (Fig. 4-7)
5. Set receiver frequency to 104 MHz.
6. Adjust CT31 (FM ANT) so that spectrum analyzer waveform peaks at 104 MHz (Fig. 4-8)
7. Repeat above steps, 3 through 6, several times. Adjustment should be finished with CT31.

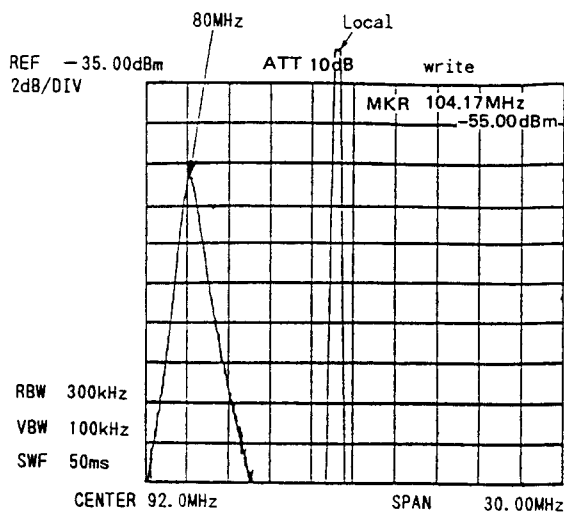


Fig. 4-7

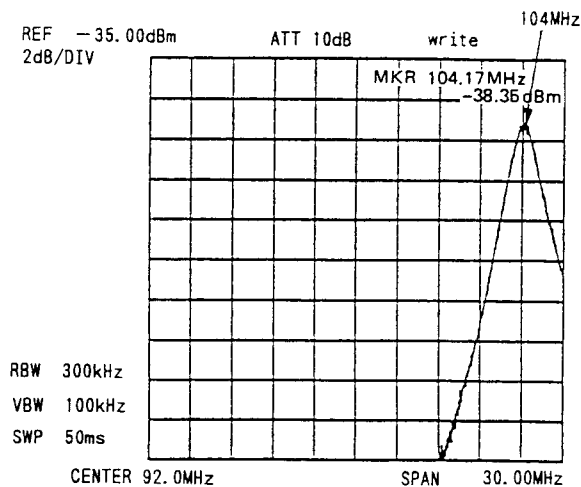


Fig. 4-8

Connection location

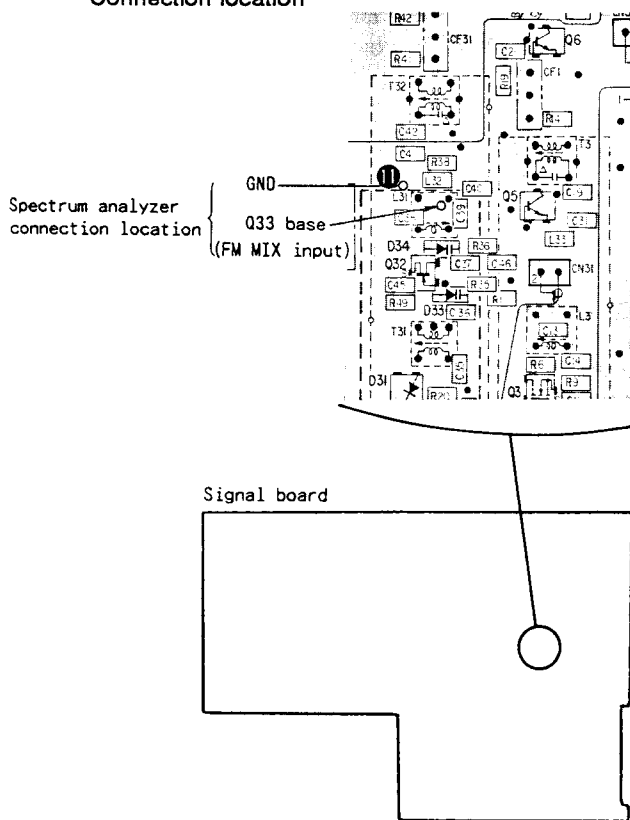
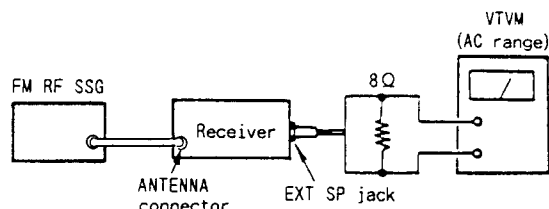


Fig. 4-9

7-2-7. FM Tracking Adjustment (using VTVM)

Connection



Carrier frequency: 80MHz
104MHz
Moduration: 1kHz, 22.5kHz deviation
Output level: As low as possible

Procedure

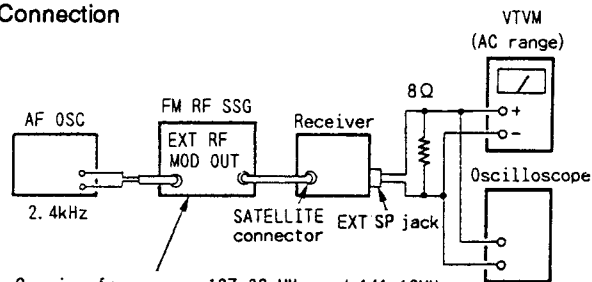
1. Set FM RF SSG and receiver frequency to 80 MHz.
2. Adjust T31 (FM ANT) and L31 (FM IF) to obtain a maximum VTVM reading.
3. Set FM RF SSG and receiver frequency to 104 MHz.
4. Adjust CT31 (FM ANT) to obtain a maximum VTVM reading.
5. Repeat above steps, 1 through 4, several times. Adjustment should be finished with CT31.

7-2-8. SAT RF Amplifier Adjustment

Conditions

Volume control: 5 (mechanical center)

Connection



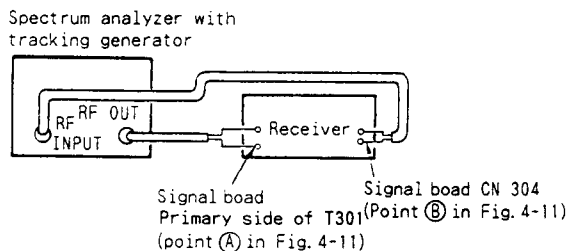
Carrier frequency: 137.62 MHz and 141.12MHz
Moduration: 2.4kHz, 7kHz deviation
Output level: 5 dB μ

Procedure

1. Set receiver to GMS mode of SAT (Satellite Fax broadcasting). (Press **[SAT]**. If necessary, press **[F1]** to GMS mode.)
2. Set AF OSC frequency to 2.4 kHz.
3. Set FM RF SSG carrier frequency to 137.62 MHz.
4. Adjust T1 (SAT ANT) so that VTVM reading is maximum and no noise is present on oscilloscope waveform.
5. Set FM RF SSG carrier frequency to 141.12 MHz.
6. Adjust L3 (SAT RF) so that VTVM reading is maximum and no noise is present on oscilloscope waveform.
7. Repeat above steps, 3 through 6, several times. Adjustment should be finished with T1.

7-2-9. AM 1st IF Adjustment (using spectrum analyzer with tracking generator)

Connection



Tracking generator	Spectrum analyzer
Output level: -50 dB	Center frequency: 55.845 MHz
	Frequency span: 100 KHz
	Standard level: -20 dBm
	Vertical amplitude scale: 10dB/DIV
	RF attenuation: 10 dB

Procedure

1. Remove solder bridge © in Fig. 4-11.
2. Set tracking generator output level to -50 dB.
3. Set receiver frequency to 11.8 MHz.
4. Set receiver detection mode to AM NARROW.
5. Adjust T304 (55.845 MHz), L304 (55.845 MHz) and L305 (55.845 MHz) so that spectrum analyzer waveform becomes flat with width of ±5kHz from the center frequency of 55.845 MHz (See Fig. 4-10).

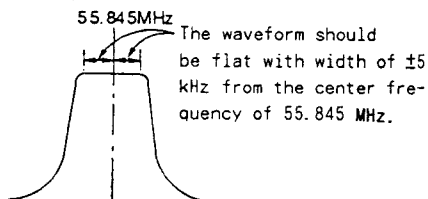


Fig. 4-10

6. After adjustment, replace solder bridge which was removed at step 1, above.

Connection and solder bridge location

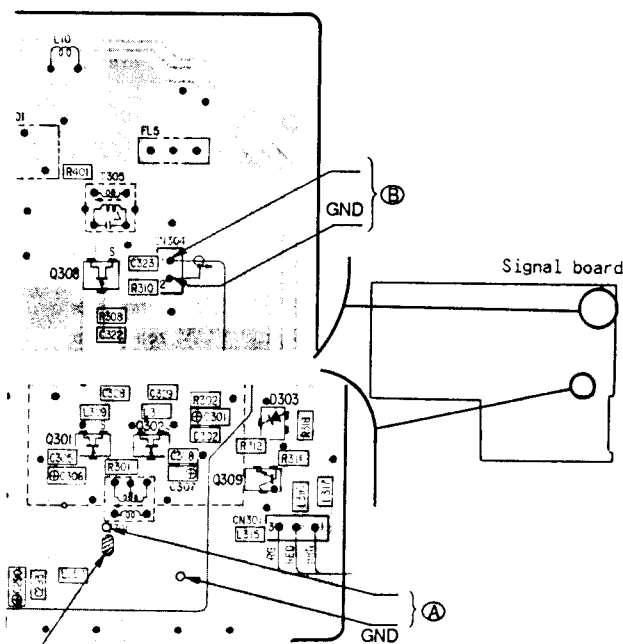
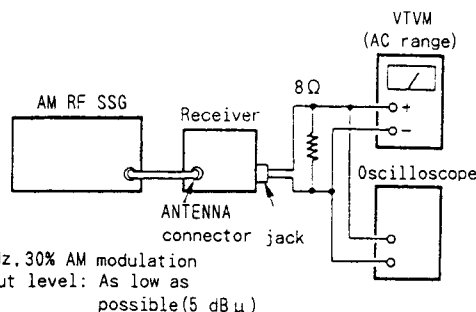


Fig. 4-11

7-2-10. AM 1st IF Adjustment (using VTVM)

Connection



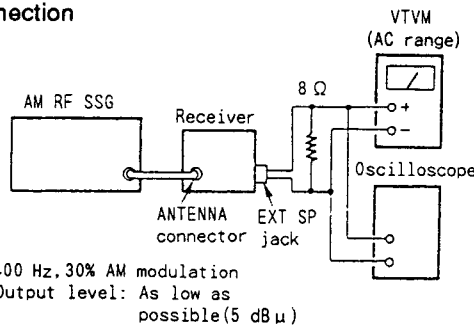
400 Hz, 30% AM modulation
Output level: As low as possible (5 dB μ)

Procedure

1. Set AM RF SSG and receiver frequency to 11.8 MHz.
2. Set receiver detection mode to AM NARROW.
3. Adjust T304 (55.845 MHz), L304 (55.845 MHz) and L305 (55.845 MHz) so that VTVM reading is maximum and no noise is preset on oscilloscope waveform.

7-2-11. AM 2nd IF Adjustment

Connection



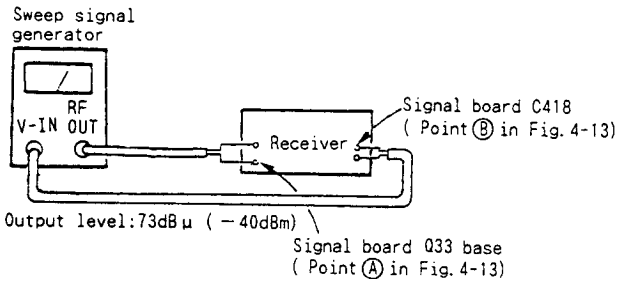
400 Hz, 30% AM modulation
Output level: As low as possible (5 dB μ)

Procedure

1. Set AM RF SSG and receiver frequency to 11.8 MHz.
2. Set receiver detection mode to AM NARROW.
3. Adjust T305 (455 kHz), IFT401 (455 kHz), IFT404 (455 kHz), and IFT405 (AM detection) so that VTVM reading is maximum and no noise is present on oscilloscope waveform.

7-2-12. WIDE FM Detection Adjustment

Connection



Procedure

1. Set receiver frequency to 80 MHz.
2. Adjust IFT 402 (Orange) and IFT 403 (Blue) so that the S-curve waveform of sweep signal generator will be as shown in Fig. 4-12.

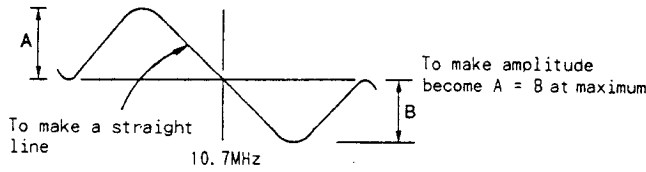


Fig. 4-12

Connection location

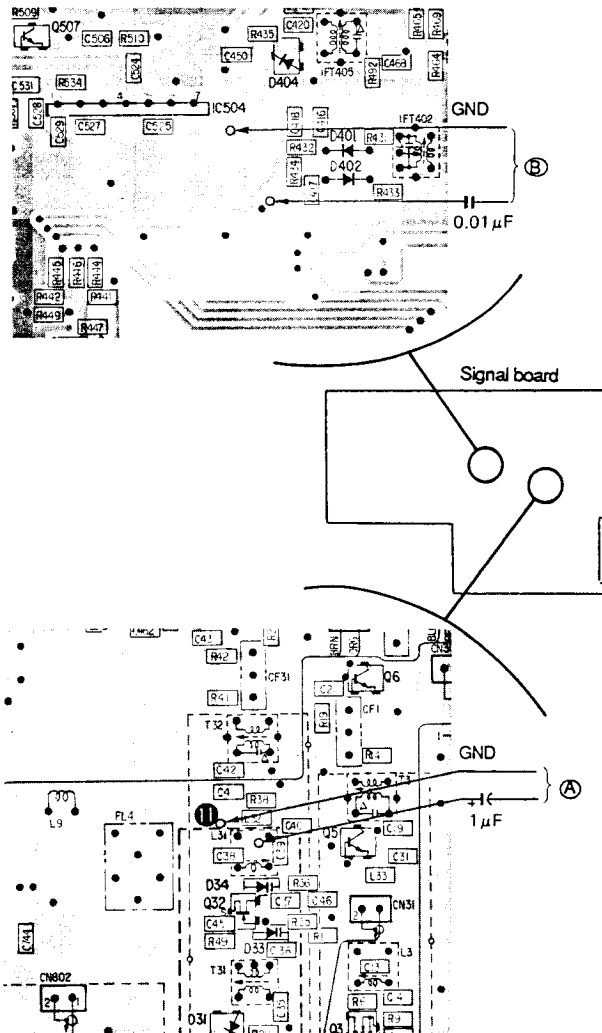


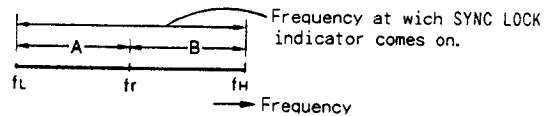
Fig. 4-13

7-2-13. SYNC Adjustment

- Note:
- As SYNC LOCK indicator may not come on when radio wave is weak, receive broadcasting stations with strong signal.
 - When setting receiver frequency, use number keys.

Procedure

1. Establish short circuit between base and emitter of signal board Q505. (Release forced SYNC LOCK.)
2. Receive radio wave from nearest AM broadcasting station where broadcasting frequency is known (This frequency is called f_r).
3. Press **[SYNC USB]** button or **[SYNC LSB]** button to select synchronous detection mode.
4. Confirm that SYNC LOCK indicator comes on. If it does not come on, adjust CT501 so that the indicator comes on. (At this time, it becomes easier to adjust when digital VOM reading is set to around 1.2 V.)
Note: Turn CT501 slowly, otherwise receiver makes beep. If so, press **[SYNC]** button again.
5. Set receiver frequency 100 Hz higher than f_r by operating number keys.
6. Confirm that SYNC LOCK indicator comes on:
 - a. If indicator comes on, set receiver frequency 100 Hz higher than current frequency by operating number keys. Repeat step 6, above.
 - b. If indicator does not come on, take note of frequency (f_H) that is 100 Hz lower than current frequency. ($f_H = \text{current frequency} - 100 \text{ Hz}$)
7. Set receiver frequency to 100 Hz lower than f_r frequency by operating number keys.
8. Check that the SYNC LOCK indicator comes on.
 - a. If indicator comes on, set receiver frequency 100 Hz lower than current frequency by operating number keys. Repeat step 8, above.
 - b. If indicator does not come on; take note of frequency (f_L) that is 100 Hz higher than current frequency. ($f_L = \text{current frequency} + 100 \text{ Hz}$)
9. Check that difference of f_H to f_r is equal to difference of f_L to f_r .



make sure $A \approx B$ and $A - B \leq \pm 100 \text{ Hz}$

Fig. 4-14

10. If gaps are different, set receiver frequency as shown below using number keys, and at the same time, adjust CT501 to the point where the SYNC LOCK indicator switches from OFF to ON. (Digital VOM reading is around 1.9V DC.)

If $B < A$,

$$\text{Receiver frequency (Hz)} = \frac{(f_H - f_L)}{2} + f_r$$

If $B > A$,

$$\text{Receiver frequency (Hz)} = \frac{(f_H - f_L)}{2} - f_r$$
11. Repeat steps 5 through 10, so that condition of step 9 above is obtained.
12. After adjustment, disconnect lead wire which was connected at step 1, above.

Connection location

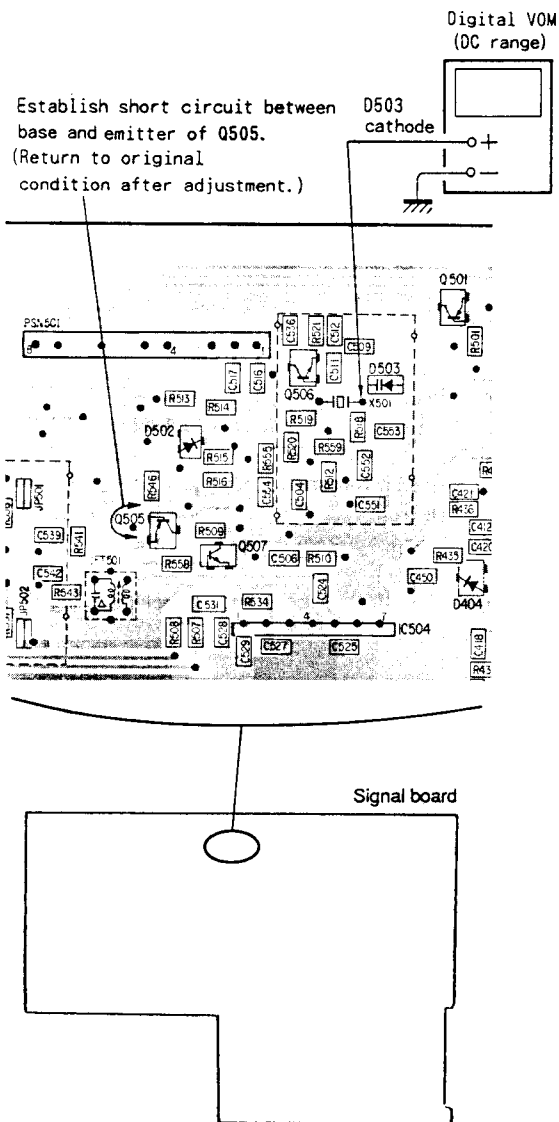
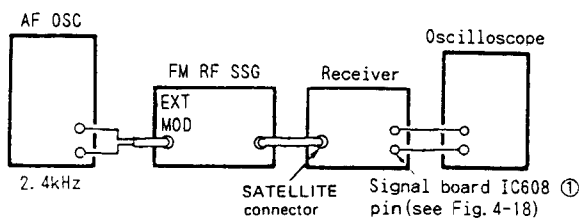


Fig. 4-15

7-2-14. SAT Decoder Adjustment

Connection



Procedure

1. Set receiver to GMS mode of SAT (Satellite Fax broadcasting). (Press **[SAT]** button. If necessary, press **[F1]** button to set to GMS mode.)
2. Set FM RF SSG as follows:
Carrier frequency: 137.62 MHz
Modulation: 2.4 kHz, 90 kHz deviation
Output level: 30 dBμ
3. Adjust RV52 (balance) so that amplitude (carrier leakage) of oscilloscope waveform is minimum.



Fig. 4-16

4. Set FM RF SSG frequency deviation to 17 kHz.
5. Adjust RV53 (black level) so that screen becomes as shown in Fig. 4-17 A.
6. Set FM RF SSG frequency deviation to 105 kHz.
7. Adjust RV51 (white level) so that screen becomes as shown in Fig. 4-17 B.
8. Repeat steps 4 through 7, twice.
9. Set FM RF SSG as follows:
Carrier frequency: 141.12 MHz
Modulation: 2.4 kHz, 8.7 kHz deviation
Output level: 30 dBμ
10. Set receiver to METEOSAT mode of SAT (Satellite Fax broadcasting). (Press **[F1]** button.)
11. Adjust RV401 (white level) so that screen becomes as shown in Fig. 4-17 B.

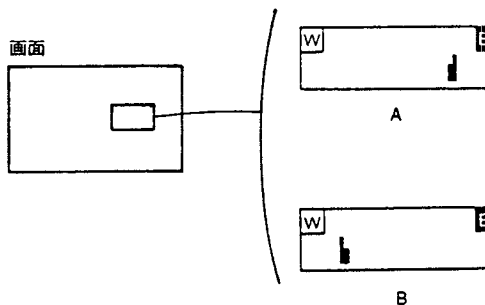


Fig. 4-17

Connection location

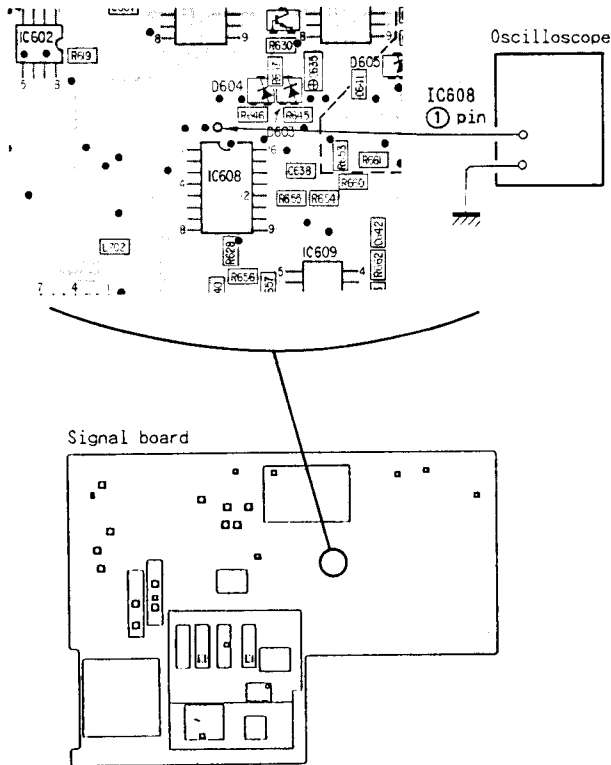
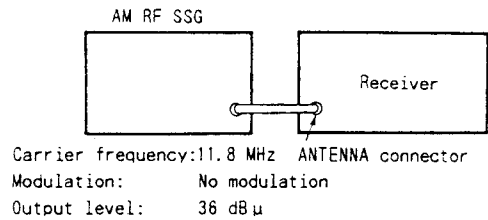


Fig. 4-18

7-2-15. Meter Adjustment

Connection



Procedure

1. Set receiving frequency to 11.8 MHz.
2. Adjust RV 402 (meter) so that meter scale becomes "9" (See Fig. 4-19, A)
3. Confirm that there is no up-scale reading when AM RF SSG is removed from receiver (See Fig. 4-19, B). If meter reads, adjust RV402 until there is no meter reading.
4. Reconnect AM RF SSG and confirm that meter reading is "8" or above (See Fig. 4-19, C).

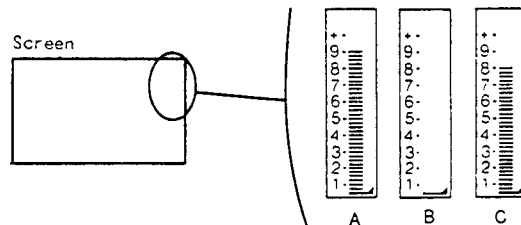


Fig. 4-19

7-2-16. X1001 Oscillation Adjustmenr

Procedure

1. Adjust CT1001 (reference frequency oscillator) so that frequency counter reading becomes 1999872 ± 2 Hz.

Connection location

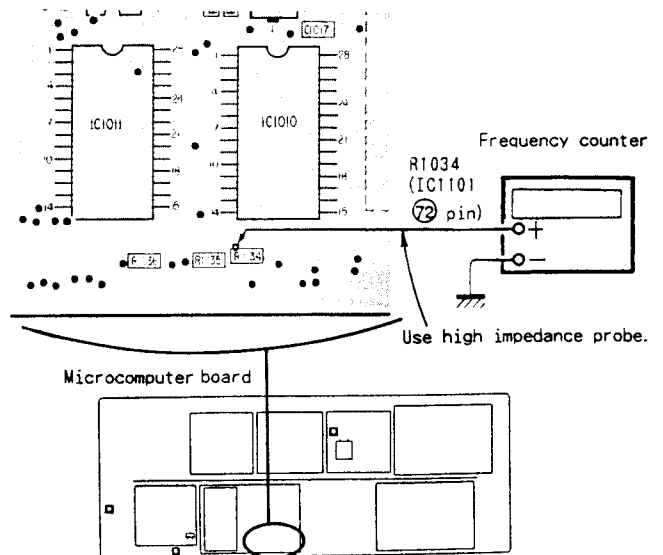


Fig. 4-20

7-2-19. Clock Standard Clock Signal Adjustment

Procedure

1. Adjust CT1301 (clock accuracy) so that frequency counter reading becomes 32768 ± 0.20 Hz.

Connection/adjustment location

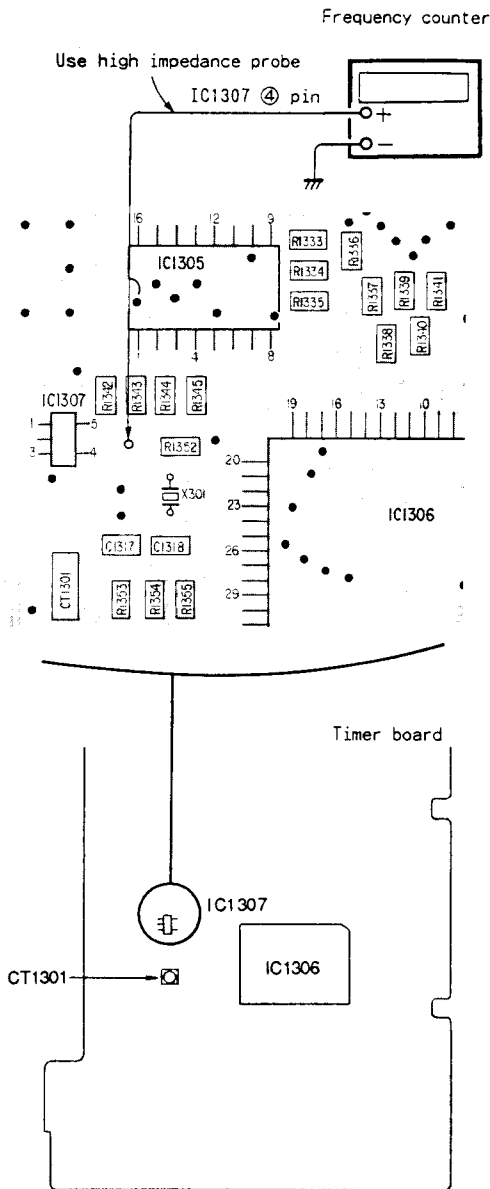


Fig. 4-24

7-3. AC ADAPTOR (ACP-88R) ADJUSTMENT

7-3-1. Output Voltage Adjustment

Procedure

1. Adjust VR1 so that digital VOM reading becomes 8.8V DC.
2. Using BCA-70 (attached charger), charge non-charged chargeable battery (NP-22H). At this time, confirm that charge lamp of BCA-70 lights.

Connection/adjustment location

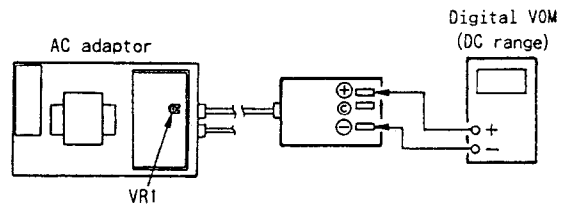


Fig. 4-25

7-4. ADJUSTMENT RELATED PARTS LOCATION DIAGRAM

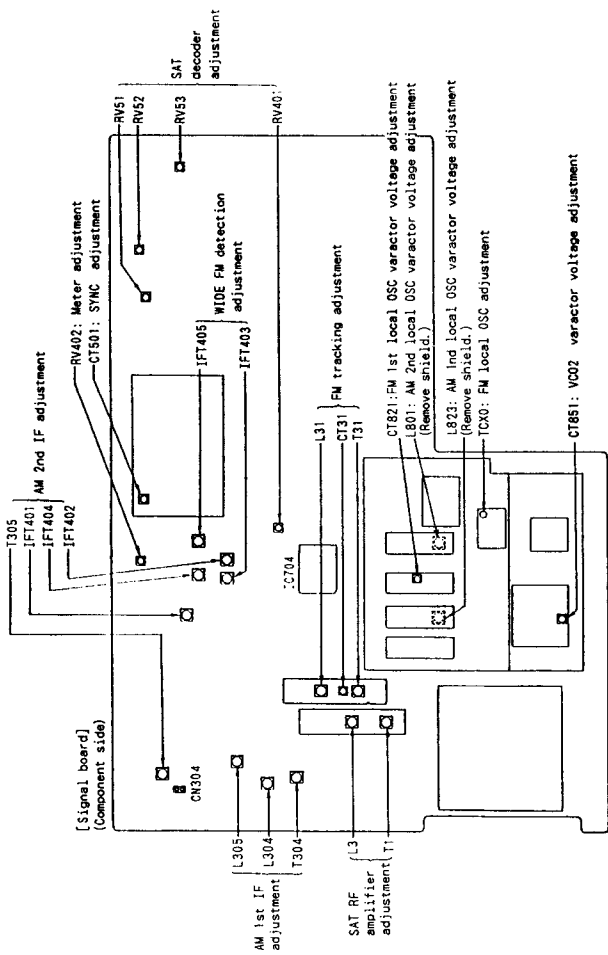


Fig. 4-26

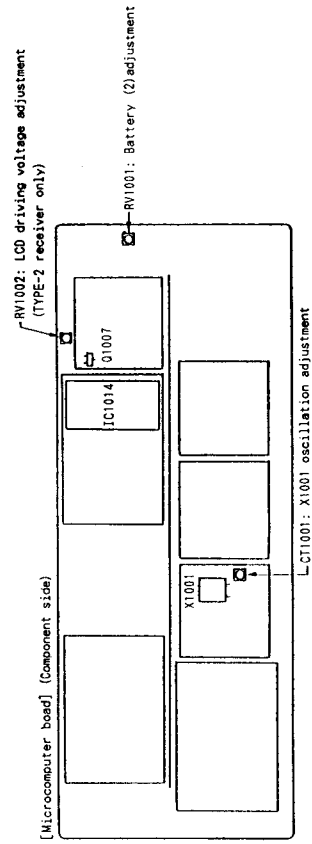


Fig. 4-27

English
89H06064-1
Printed in Japan
© 1989.8

Published by A/V Engineering Service Dept.

Sony Corporation
Audio Group

—16—

9-953-727-82

K4XL's **BAMA**

This manual is provided **FREE OF CHARGE** from the "BoatAnchor Manual Archive" as a service to the Boatanchor community.

It was uploaded by someone who wanted to help you repair and maintain your equipment.

If you paid anyone other than BAMA for this manual, you paid someone who is making a profit from the free labor of others without asking their permission.

You may pass on copies of this manual to anyone who needs it. But do it without charge.

Thousands of files are available without charge from BAMA. Visit us at <http://bama.sbc.edu>